



Chipsmall Limited consists of a professional team with an average of over 10 year of expertise in the distribution of electronic components. Based in Hongkong, we have already established firm and mutual-benefit business relationships with customers from,Europe,America and south Asia,supplying obsolete and hard-to-find components to meet their specific needs.

With the principle of "Quality Parts,Customers Priority,Honest Operation,and Considerate Service",our business mainly focus on the distribution of electronic components. Line cards we deal with include Microchip,ALPS,ROHM,Xilinx,Pulse,ON,Everlight and Freescale. Main products comprise IC,Modules,Potentiometer,IC Socket,Relay,Connector.Our parts cover such applications as commercial,industrial, and automotives areas.

We are looking forward to setting up business relationship with you and hope to provide you with the best service and solution. Let us make a better world for our industry!



Contact us

Tel: +86-755-8981 8866 Fax: +86-755-8427 6832

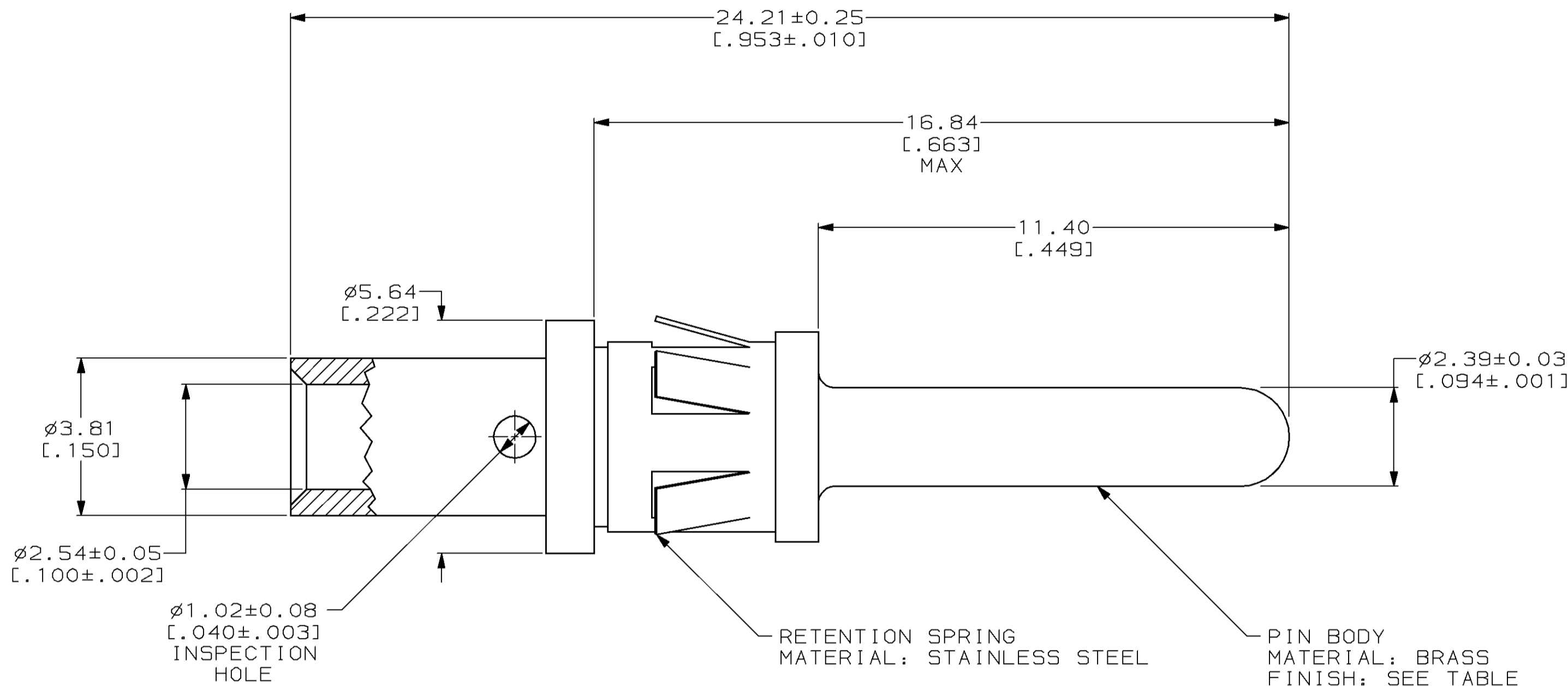
Email & Skype: info@chipsmall.com Web: www.chipsmall.com

Address: A1208, Overseas Decoration Building, #122 Zhenhua RD., Futian, Shenzhen, China



THIS DRAWING IS UNPUBLISHED. RELEASED FOR PUBLICATION
 BY AMP INCORPORATED. ALL RIGHTS RESERVED.

LOC		DIST		REVISIONS			
P	LTR	DESCRIPTION		DATE	DWN	APVD	
FT	8	H		REDRAWN W/O CHANGE PER EC 0320-108-96	05 JAN 98	-	-



- ① $0.76 \mu\text{m}$ [$.000030$] MIN GOLD OVER $1.27 \mu\text{m}$ [$.000050$] MIN NICKEL.
- ② $3.81 \mu\text{m}$ [$.000150$] MIN TIN.
- 3. ASSEMBLY MATES WITH SOCKET ASSEMBLY 202417.

②	202422-4
①	202422-1
PIN BODY FINISH	PART NUMBER

THIS DRAWING IS A CONTROLLED DOCUMENT.		DWN	B. CARBO	05 JAN 98
		CHK	R. STONE	09 JAN 98
		APVD	G. STEINHAUER	30 JAN 98
		NAME		
DIMENSIONS:		PRODUCT SPEC		
mm [INCHES]	TOLERANCES UNLESS OTHERWISE SPECIFIED:	APPLICATION SPEC		
	0 PLC \pm	WEIGHT		
	1 PLC \pm	SCALE		
	2 PLC ± 0.13 [$.005$]	SHEET		
	3 PLC \pm	OF		
	4 PLC \pm	REV		
	ANGLES \pm	H		
MATERIAL	FINISH	CUSTOMER DRAWING		
SEE CALLOUTS	SEE CALLOUTS			