



Chipsmall Limited consists of a professional team with an average of over 10 year of expertise in the distribution of electronic components. Based in Hongkong, we have already established firm and mutual-benefit business relationships with customers from,Europe,America and south Asia,supplying obsolete and hard-to-find components to meet their specific needs.

With the principle of “Quality Parts,Customers Priority,Honest Operation,and Considerate Service”,our business mainly focus on the distribution of electronic components. Line cards we deal with include Microchip,ALPS,ROHM,Xilinx,Pulse,ON,Everlight and Freescale. Main products comprise IC,Modules,Potentiometer,IC Socket,Relay,Connector.Our parts cover such applications as commercial,industrial, and automotives areas.

We are looking forward to setting up business relationship with you and hope to provide you with the best service and solution. Let us make a better world for our industry!



Contact us

Tel: +86-755-8981 8866 Fax: +86-755-8427 6832

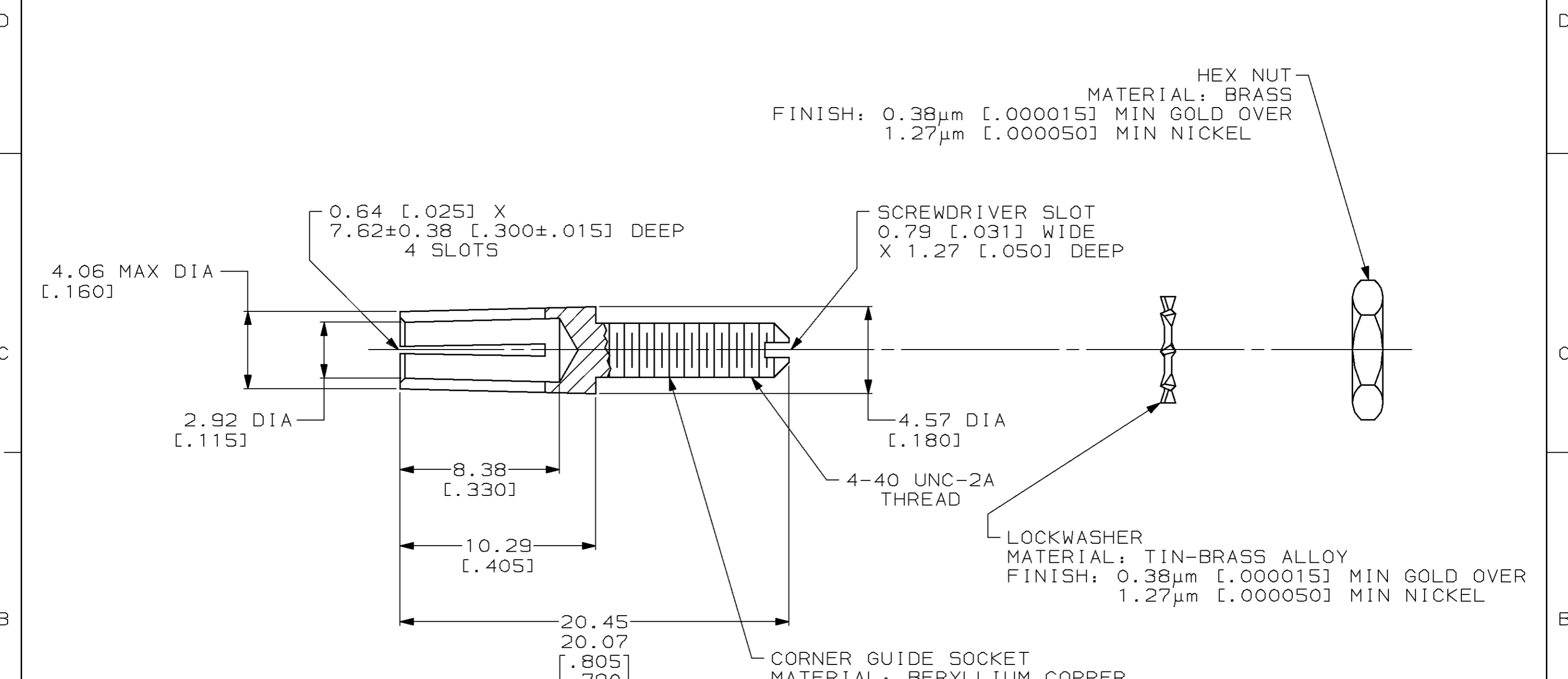
Email & Skype: info@chipsmall.com Web: www.chipsmall.com

Address: A1208, Overseas Decoration Building, #122 Zhenhua RD., Futian, Shenzhen, China



THIS DRAWING IS UNPUBLISHED. RELEASED FOR PUBLICATION ,19 .
 © COPYRIGHT 19 BY AMP INCORPORATED. ALL RIGHTS RESERVED.

LOC	DIST	REVISIONS			
P	LTR	DESCRIPTION	DATE	DWN	APVD
BD	36	F	REDRAWN PER EC 0020-930-95	20 SEP 95	-



HEX NUT
 MATERIAL: BRASS
 FINISH: 0.38µm [.000015] MIN GOLD OVER
 1.27µm [.000050] MIN NICKEL

SCREWDRIVER SLOT
 0.79 [.031] WIDE
 X 1.27 [.050] DEEP

0.64 [.025] X
 7.62±0.38 [.300±.015] DEEP
 4 SLOTS

4.06 MAX DIA
 [.160]

2.92 DIA
 [.115]

8.38
 [.330]

10.29
 [.405]

20.45
 20.07
 [.805]
 [.790]

4.57 DIA
 [.180]

4-40 UNC-2A
 THREAD

LOCKWASHER
 MATERIAL: TIN-BRASS ALLOY
 FINISH: 0.38µm [.000015] MIN GOLD OVER
 1.27µm [.000050] MIN NICKEL

CORNER GUIDE SOCKET
 MATERIAL: BERYLLIUM COPPER
 FINISH: 0.38µm [.000015] MIN GOLD OVER
 1.27µm [.000050] MIN NICKEL

202512-1
 PART NUMBER

THIS DRAWING IS A CONTROLLED DOCUMENT FOR AMP INCORPORATED. IT IS SUBJECT TO CHANGE AND THE CONTROLLING ENGINEERING ORGANIZATION SHOULD BE CONTACTED FOR THE LATEST REVISION.		DWN C. DORWART 20 SEP 95	AMP AMP Incorporated Harrisburg, PA 17105-3608
		CHK R. STONE 25 SEP 95	
DIMENSIONS: mm [INCHES]		APVD G. STEINHAUER 04 OCT 95	CORNER GUIDE SOCKET ASSEMBLY, UNASSEMBLED, M SERIES
TOLERANCES UNLESS OTHERWISE SPECIFIED: 0 PLC ±- 1 PLC ±- 2 PLC ±0.13 [.005] 3 PLC ±- 4 PLC ±- ANGLES ±- FINISH		PRODUCT SPEC - APPLICATION SPEC -	
MATERIAL SEE CALLOUTS		WEIGHT -	SIZE A3
		CUSTOMER DRAWING	CAGE CODE 00779
			DRAWING NO C=202512
			SCALE 5:1
			SHEET 1 OF 1
			REV F