



Chipsmall Limited consists of a professional team with an average of over 10 year of expertise in the distribution of electronic components. Based in Hongkong, we have already established firm and mutual-benefit business relationships with customers from,Europe,America and south Asia,supplying obsolete and hard-to-find components to meet their specific needs.

With the principle of "Quality Parts,Customers Priority,Honest Operation,and Considerate Service",our business mainly focus on the distribution of electronic components. Line cards we deal with include Microchip,ALPS,ROHM,Xilinx,Pulse,ON,Everlight and Freescale. Main products comprise IC,Modules,Potentiometer,IC Socket,Relay,Connector.Our parts cover such applications as commercial,industrial, and automotives areas.

We are looking forward to setting up business relationship with you and hope to provide you with the best service and solution. Let us make a better world for our industry!



Contact us

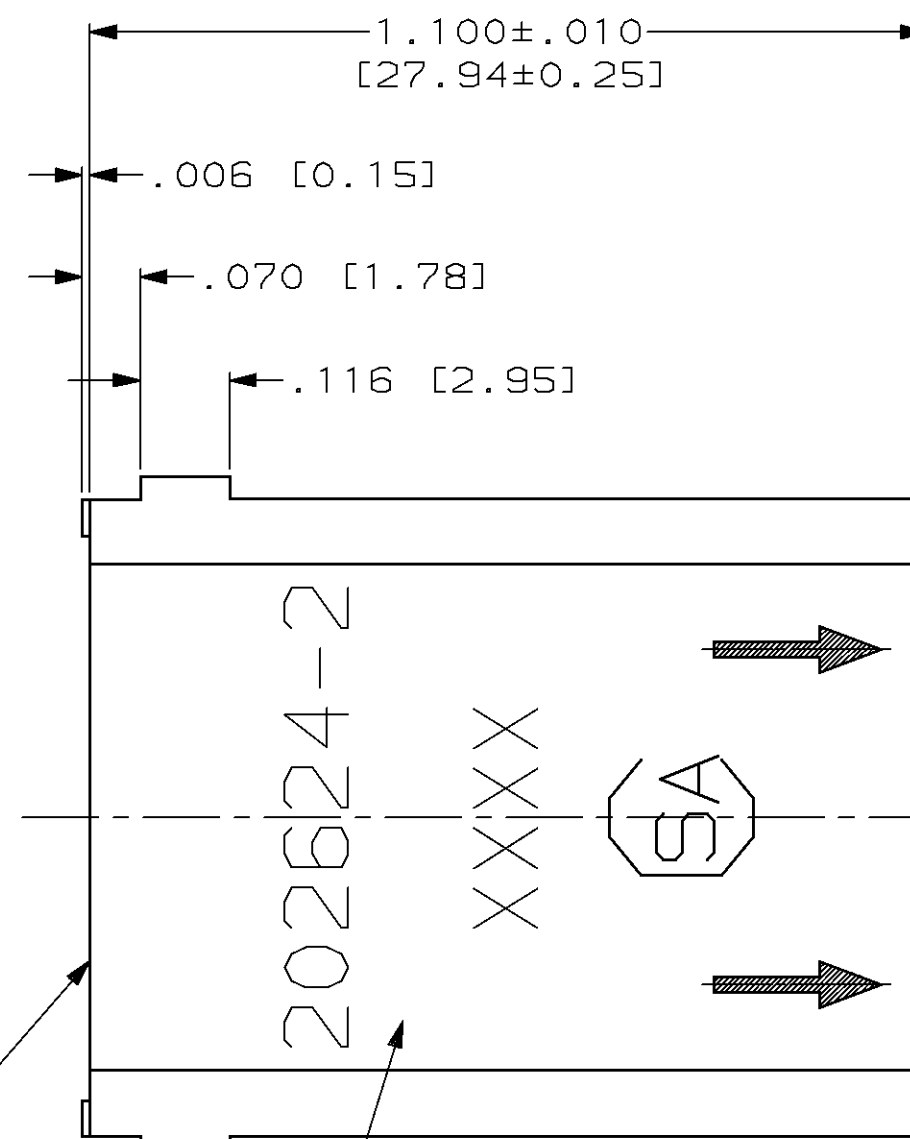
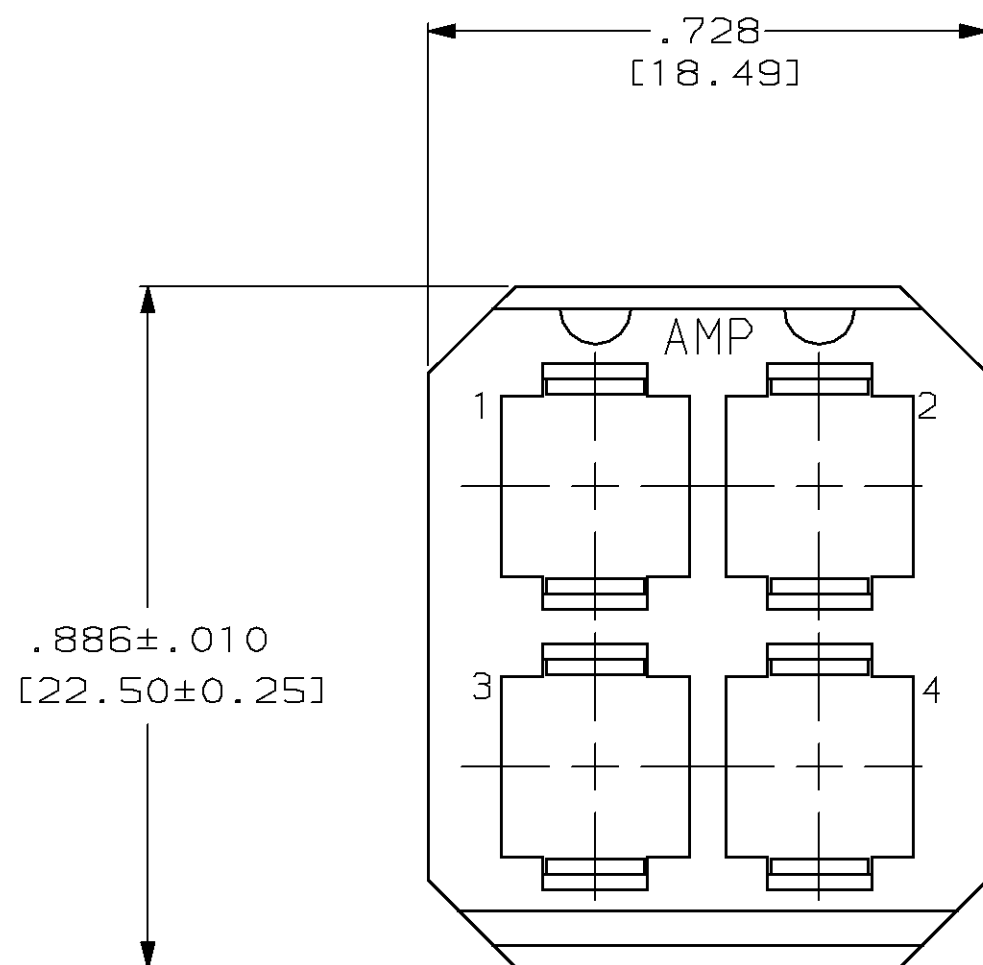
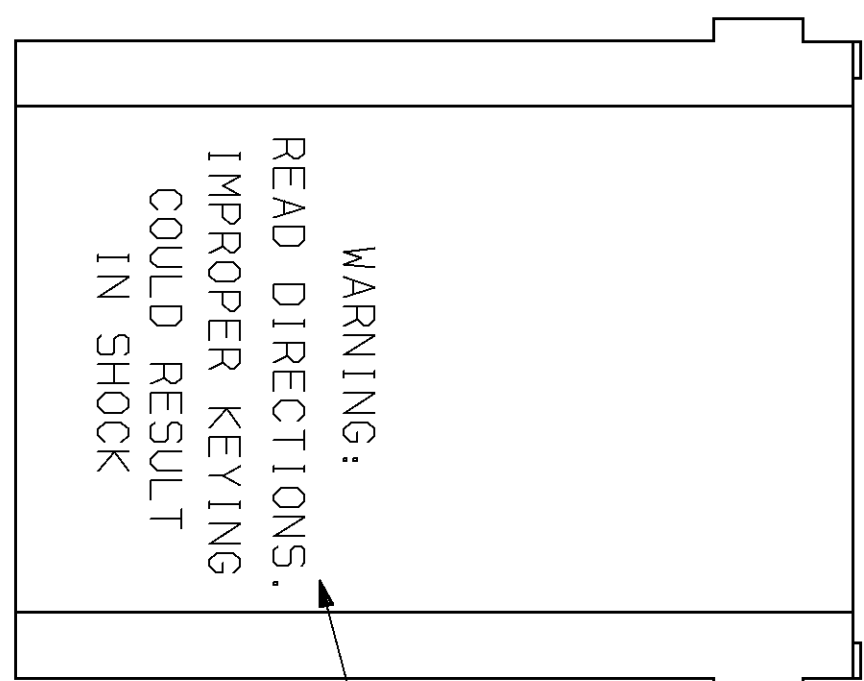
Tel: +86-755-8981 8866 Fax: +86-755-8427 6832

Email & Skype: info@chipsmall.com Web: www.chipsmall.com

Address: A1208, Overseas Decoration Building, #122 Zhenhua RD., Futian, Shenzhen, China



LOC	DIST	P	F	ZONE	LTR	DESCRIPTION	DATE	APPD
DF	BO				G	REV & REDRAWN DF-4297	PY	11-91 DBM
					H	REV PER 0600-4161-95 JB	08-30-95	DBM



MATING FACE

- ① MATERIAL: PHENOLIC PER MIL-M-14, TYPE CFG OR MFH, COLOR: BLACK
- ② AMP PART NO, DATE CODE, CSA CERT AND ARROWS MARKED WITH WHITE INK OR BY LASER MARKING AT APPROXIMATE AREA SHOWN, EITHER SIDE
- 3. THIS MODULE ACCEPTS FOUR TYPE XII MALE POWER CONTACTS
- ④ WARNING STATEMENT MARKED WITH WHITE INK AT APPROXIMATE AREA SHOWN, ON SIDE OPPOSITE PART NUMBER.

AS SHOWN	202624-2
DESCRIPTION	PART NUMBER

DO NOT SCALE PRINT. UNLESS SPECIFIED DIMENSIONS IN INCHES [mm] TOLERANCES ON : 2 PLC DEC ± - 3 PLC DEC ± .005 ANGLES ± -		DR 9-10-91 P.YEAGER		AMP Incorporated Harrisburg, PA 17105-3608	
MATERIAL		CHK 11-12-91 D.B.MUMMEY			
FINISH		APPD 11-12-91 D.B.MUMMEY		NAME	
-		APPD -		MALE BLOCK G SERIES, TYPE XII	
		PRODUCT SPEC			
		APPLICATION SPEC		SIZE	CAGE CODE
		-		③	00779
		WEIGHT -		SCALE	DRAWING NO
				4:1	202624
					SHEET 1 OF 1