



Chipsmall Limited consists of a professional team with an average of over 10 year of expertise in the distribution of electronic components. Based in Hongkong, we have already established firm and mutual-benefit business relationships with customers from,Europe,America and south Asia,supplying obsolete and hard-to-find components to meet their specific needs.

With the principle of “Quality Parts,Customers Priority,Honest Operation,and Considerate Service”,our business mainly focus on the distribution of electronic components. Line cards we deal with include Microchip,ALPS,ROHM,Xilinx,Pulse,ON,Everlight and Freescale. Main products comprise IC,Modules,Potentiometer,IC Socket,Relay,Connector.Our parts cover such applications as commercial,industrial, and automotives areas.

We are looking forward to setting up business relationship with you and hope to provide you with the best service and solution. Let us make a better world for our industry!



Contact us

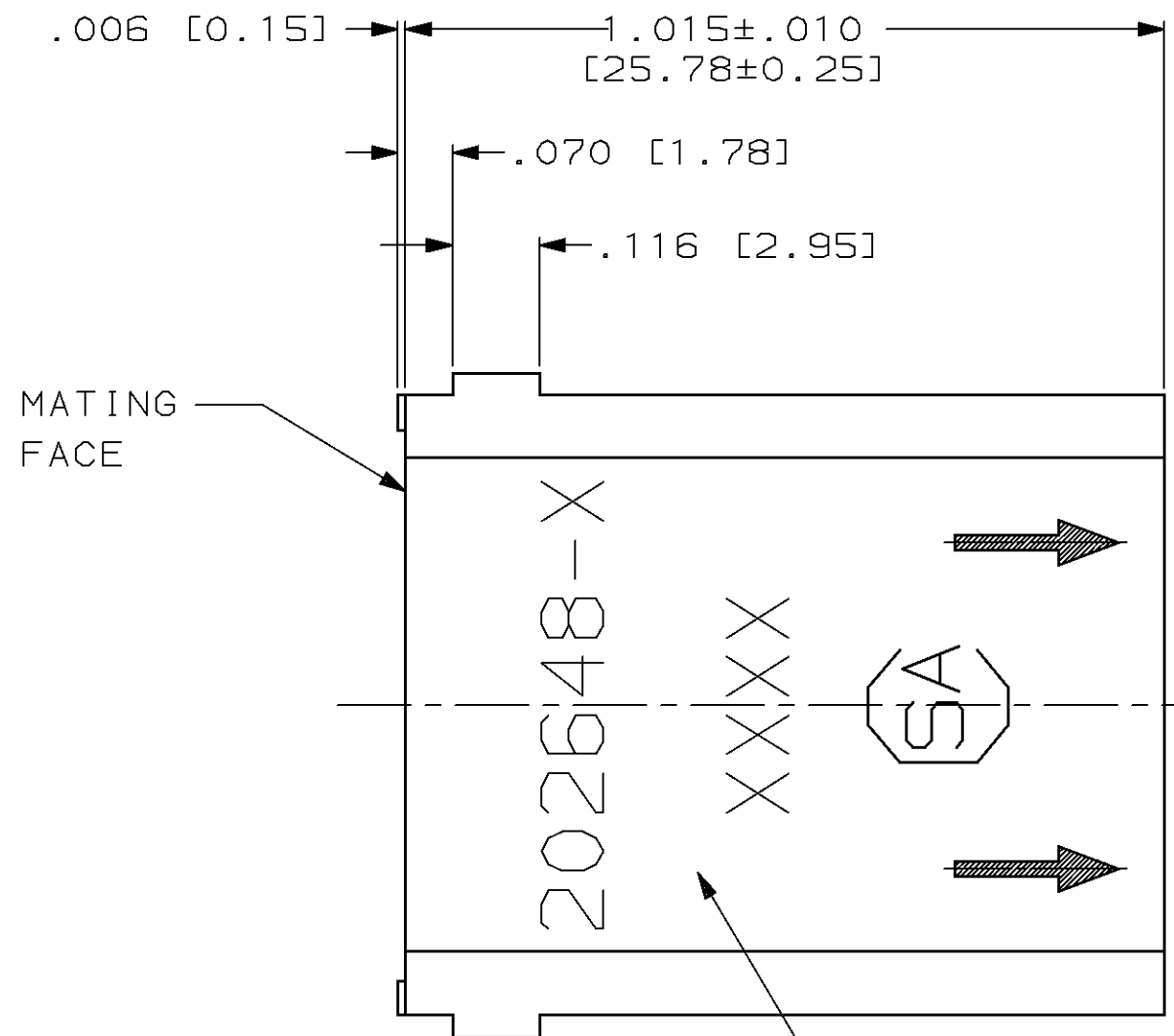
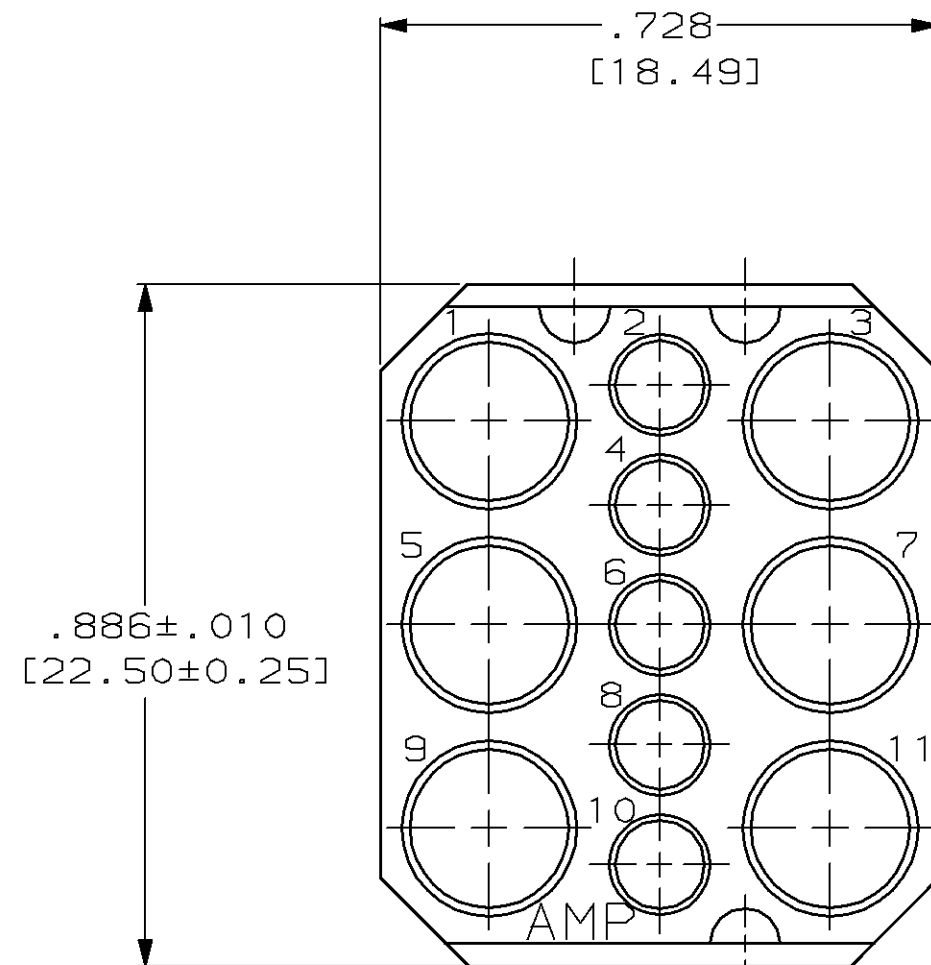
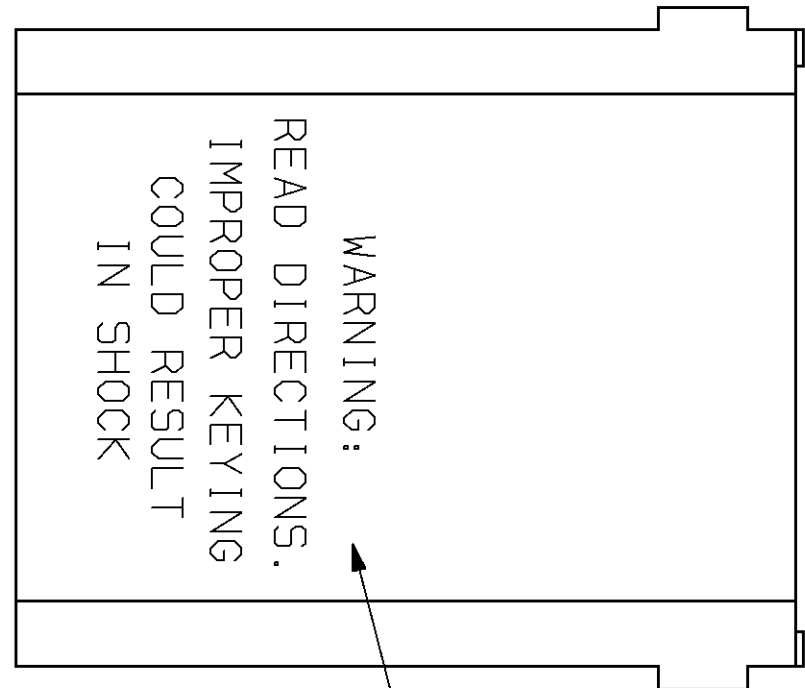
Tel: +86-755-8981 8866 Fax: +86-755-8427 6832

Email & Skype: info@chipsmall.com Web: www.chipsmall.com

Address: A1208, Overseas Decoration Building, #122 Zhenhua RD., Futian, Shenzhen, China



LOC	DIST	P	F	REVISIONS				
				ZONE	LTR	DESCRIPTION	DATE	APPD
DF	BO			F		REV & REDRAWN DF-4297 PY	11-91	DBM
				G		REV PER 0600-4161-95 JB	08-95	DBM



1 MATERIAL: DIALLYL PHTHALATE PER MIL-M-14, TYPE SDG-F, COLOR: BLUE

2 MATERIAL: PHENOLIC PER MIL-M-14, TYPE CFG, COLOR: BLACK

3 AMP PART NO, DATE CODE, CSA CERT AND ARROWS MARKED WITH WHITE INK OR BY LASER MARKING AT APPROXIMATE AREA SHOWN, EITHER SIDE

4. THIS MODULE WILL ACCOMMODATE:
 (6) MINIATURE COAXICON OR TYPE I SIZE 12 PIN CONTACTS AND
 (5) SUBMINIATURE COAXICON, TYPE II SIZE 16, TYPE III(+) SIZE 16 OR TYPE VI SIZE 16 PIN CONTACTS

5 WARNING STATEMENT MARKED WITH WHITE INK AT APPROXIMATE AREA SHOWN, ON SIDE OPPOSITE PART NUMBER.

2	202648-4
1	202648-2
MATERIAL	PART NUMBER

DO NOT SCALE PRINT. UNLESS SPECIFIED DIMENSIONS IN INCHES [mm] TOLERANCES ON : 2 PLC DEC ± - 3 PLC DEC ± .005 ANGLES ± -		DR 9-12-91 P. YEAGER		PART NO	
MATERIAL SEE TABLE		CHK 11-12-91 D.B. MUMMEY		AMP Incorporated Harrisburg, PA 17105-3608	
FINISH -		APPD 11-12-91 D.B. MUMMEY		NAME	
		APPD -		MALE BLOCK	
		PRODUCT SPEC -		G SERIES, 11 POSN	
		APPLICATION SPEC -		SIZE C	CAGE CODE 00779
		WEIGHT -		SCALE 4:1	DRAWING NO 202648
				SHEET 1 OF 1	