



Chipsmall Limited consists of a professional team with an average of over 10 year of expertise in the distribution of electronic components. Based in Hongkong, we have already established firm and mutual-benefit business relationships with customers from,Europe,America and south Asia,supplying obsolete and hard-to-find components to meet their specific needs.

With the principle of “Quality Parts,Customers Priority,Honest Operation,and Considerate Service”,our business mainly focus on the distribution of electronic components. Line cards we deal with include Microchip,ALPS,ROHM,Xilinx,Pulse,ON,Everlight and Freescale. Main products comprise IC,Modules,Potentiometer,IC Socket,Relay,Connector.Our parts cover such applications as commercial,industrial, and automotives areas.

We are looking forward to setting up business relationship with you and hope to provide you with the best service and solution. Let us make a better world for our industry!



Contact us

Tel: +86-755-8981 8866 Fax: +86-755-8427 6832

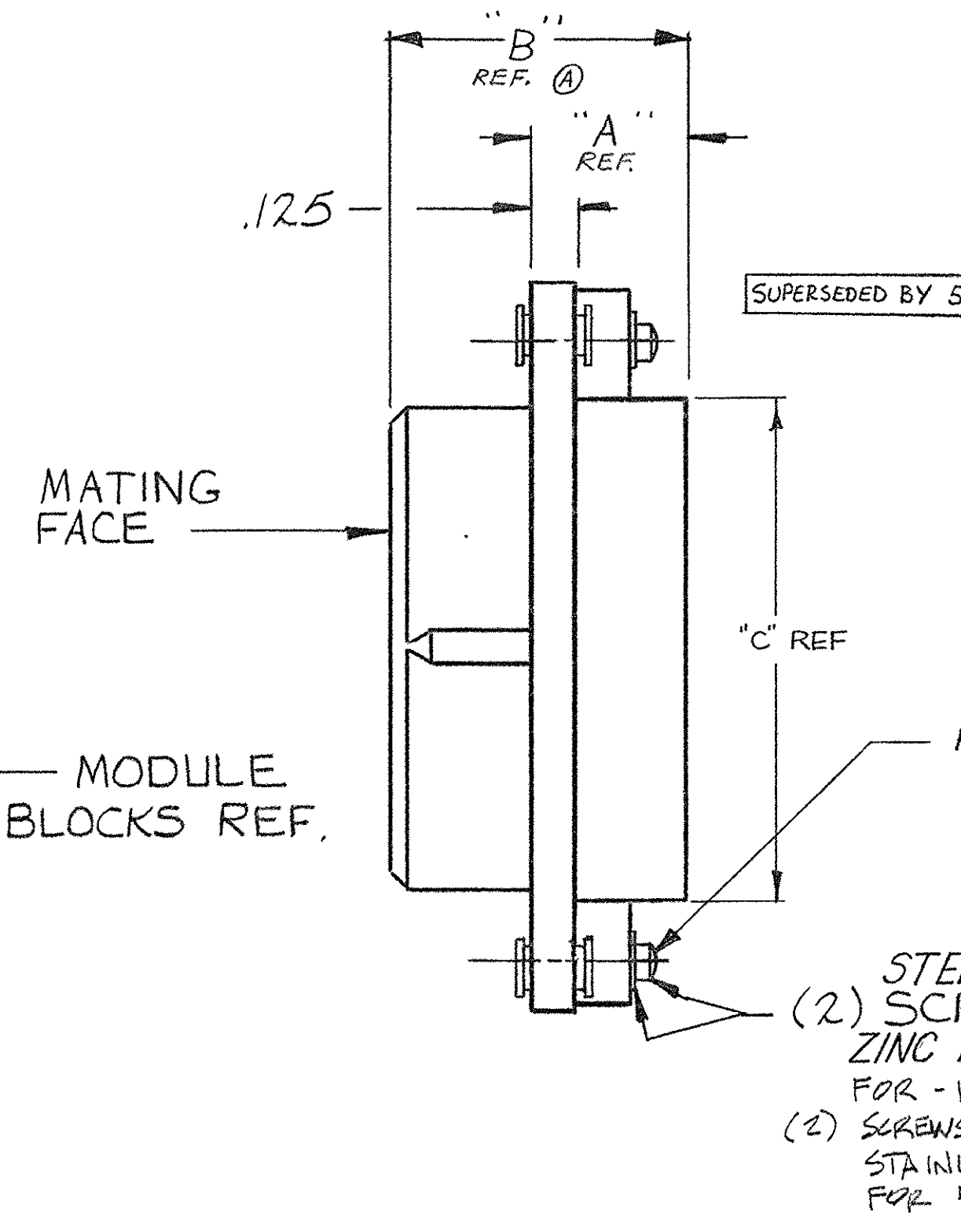
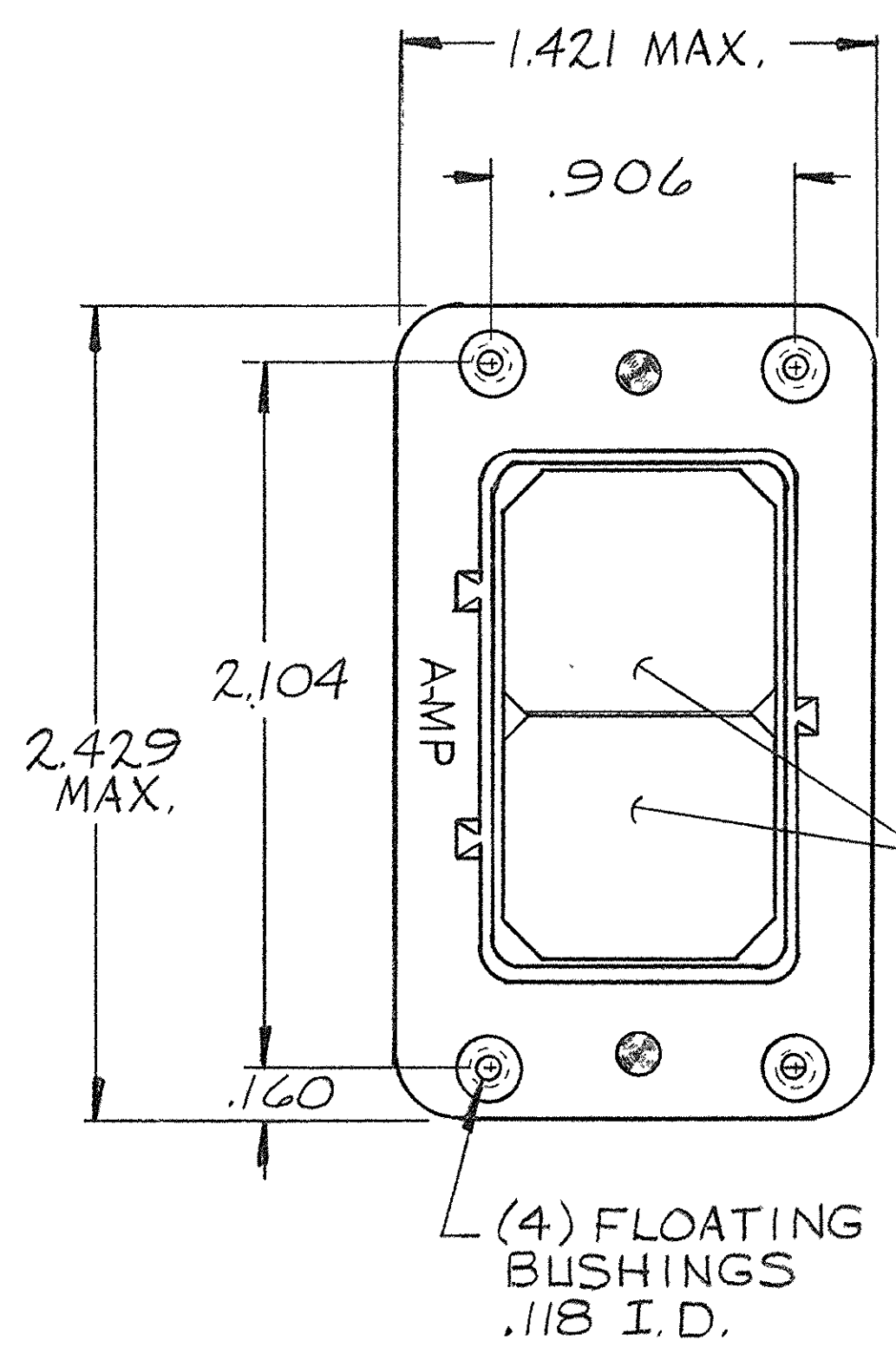
Email & Skype: info@chipsmall.com Web: www.chipsmall.com

Address: A1208, Overseas Decoration Building, #122 Zhenhua RD., Futian, Shenzhen, China



BY AMP INCORPORATED. ALL RIGHTS RESERVED. AMP PRODUCTS COVERED BY PATENTS AND/OR PATENTS PENDING. APPROVED PER GOVT CONTRACT NO.

REVISIONS				REVISIONS				
SYM	DESCRIPTION	DATE	APP	SYM	ZONE	DESCRIPTION	DATE	APPROVAL
K	REV PER ECO-05-005359	11-14-05	PY/DE	D		RELEASED WAS M5012-295	12-31-64	LAB B.S.H.
				A		REVISED W-524 W-421	8-2-5	M.S. RM
				B		REVISED W-777	10-14-5	M.S. D.H.
				C		REV. PER D-644	10-6-75	DE
				D		REV./ECN H-220	8-14-80	DE
				E		REV PER ECN H-203	5-12-81	DE
				F		REV PER ECN K-335	7-19-83	DE
				G		REV. PER ECN R-764	8-27-84	RG
				H		OBSOLETE -1 PER ECN R-2604	2-23-87	SDG
				J		REV PER ECO-05-001412	05/05	AA



- 202680-1. OBSOLETE
- 202680-2 1. AS SHOWN.
- 202680-3 1. SAME AS -2 EXCEPT: 2. "A" AND "B" DIMENSIONS.
- 202680-4 1. SAME AS -2 EXCEPT: 2. "C" AND "D" DIMENSIONS
- 5-202680-3 1. SAME AS -3 EXCEPT: 2. PLATING

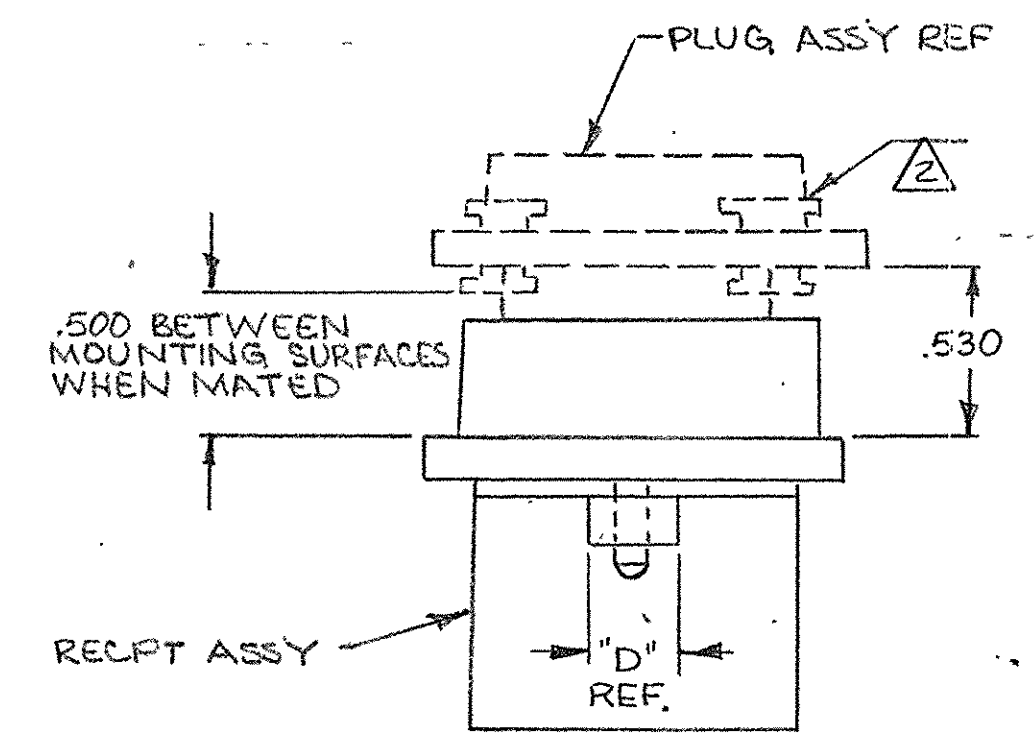
SUPERSEDED BY 5--3

MATING FACE

MODULE BLOCKS REF.

FILLISTER HEAD SCREWS

(2) STEEL SCREWS, ZINC PLATED FOR -1, -2, -3 & -4.
(2) SCREWS PASSIVATED STAINLESS STEEL FOR 5-3.



- NOTE:
- ① ZINC PLATE PER ASTM-B-633 TYPE II, CLASS 3 COLORLESS SUPPLEMENTARY CHROMATE
 - ② THE ALLOWABLE FLOAT IS .063 TO .075
 - ③ PLATING ELECTROLESS NICKEL PER SAE-AMS-C-2607A .000400 - .000300 THK (NO INTENTIONAL ADDITIONS OF LEAD OR CADMIUM PER DFE STD 230-700).

REV	DESCRIPTION	LOC	PRINT	QTY	RECD	FINISH
202680-4				.480	1.010	1.569 .126
5-202680-3				.886	1.416	1.650 .150
202680-2				.480	1.010	1.650 .150
202680-1	OBSOLETE			.480	1.650	.150

SUPERSEDED BY 5-202680-3

LOC	PRINT	QTY	RECD	NOMENCLATURE OR DESCRIPTION	PART OR IDENTIFYING NO	A	B	C	D	FINISH
505	R39	J								

UNLESS OTHERWISE SPECIFIED DIMENSIONS ARE IN INCHES TOLERANCES ON		SIGNATURE	DATE	AMP INCORPORATED HARRISBURG, PENNSYLVANIA
FRACTIONS ±	DECIMALS ±	DR K. Jones	4/18/64	
ANGLES ±		CHK S.S. Heide	1/8/65	PLUG ASSEMBLY MODULE
MATERIAL DIE CAST ALUMINUM		DSGN ENGR F.B. Miller	1-11-65	
HEAT TREAT		APPD [Signature]	1/1/65	
FINISH SEE NOTE 1		DSGN APPD	OTHER APPD	

CODE IDENT NO	SIZE	NUMBER
00779	C	202680

SCALE: — WT CALC ACTUAL SHEET