



Chipsmall Limited consists of a professional team with an average of over 10 year of expertise in the distribution of electronic components. Based in Hongkong, we have already established firm and mutual-benefit business relationships with customers from,Europe,America and south Asia,supplying obsolete and hard-to-find components to meet their specific needs.

With the principle of “Quality Parts,Customers Priority,Honest Operation,and Considerate Service”,our business mainly focus on the distribution of electronic components. Line cards we deal with include Microchip,ALPS,ROHM,Xilinx,Pulse,ON,Everlight and Freescale. Main products comprise IC,Modules,Potentiometer,IC Socket,Relay,Connector.Our parts cover such applications as commercial,industrial, and automotives areas.

We are looking forward to setting up business relationship with you and hope to provide you with the best service and solution. Let us make a better world for our industry!



Contact us

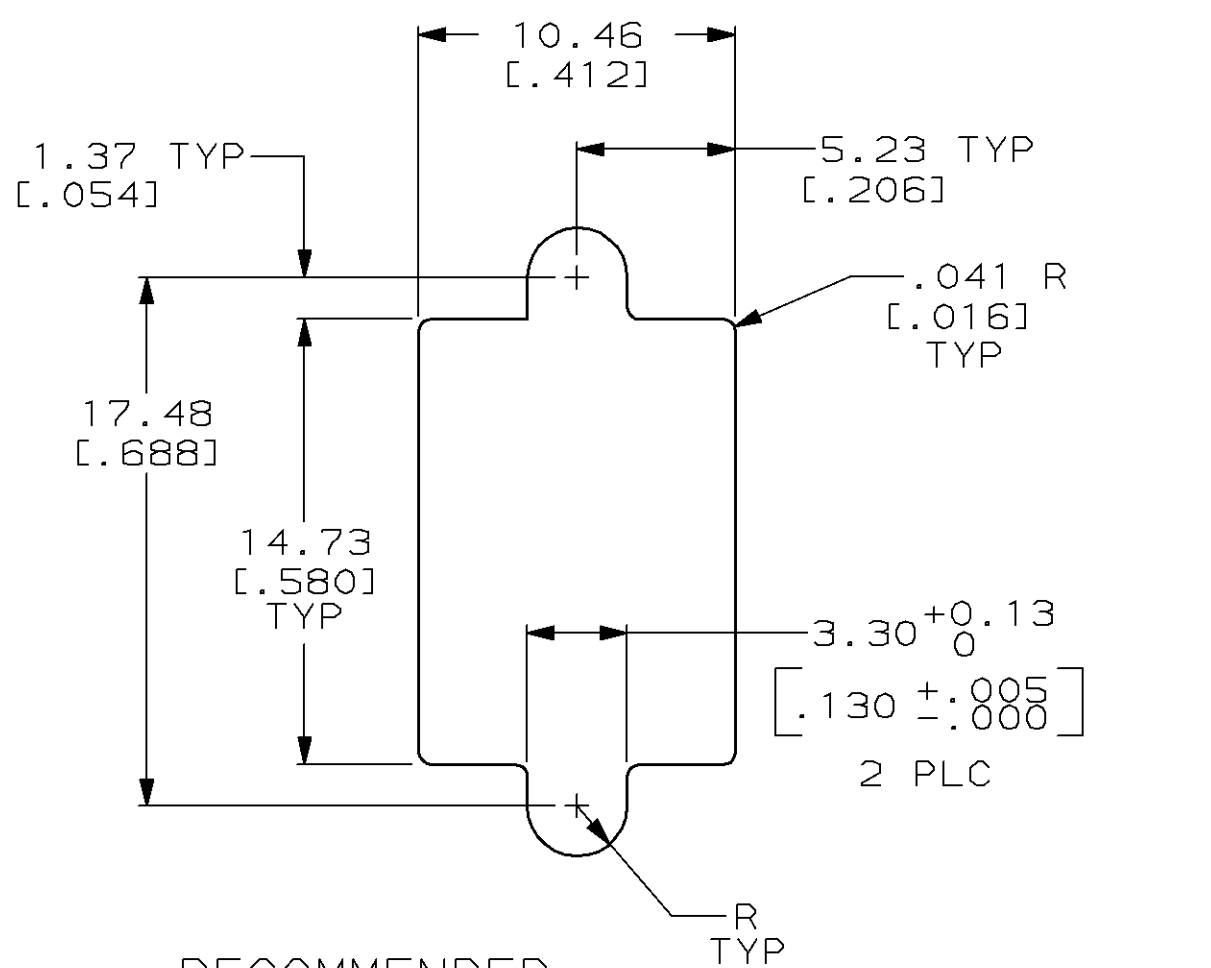
Tel: +86-755-8981 8866 Fax: +86-755-8427 6832

Email & Skype: info@chipsmall.com Web: www.chipsmall.com

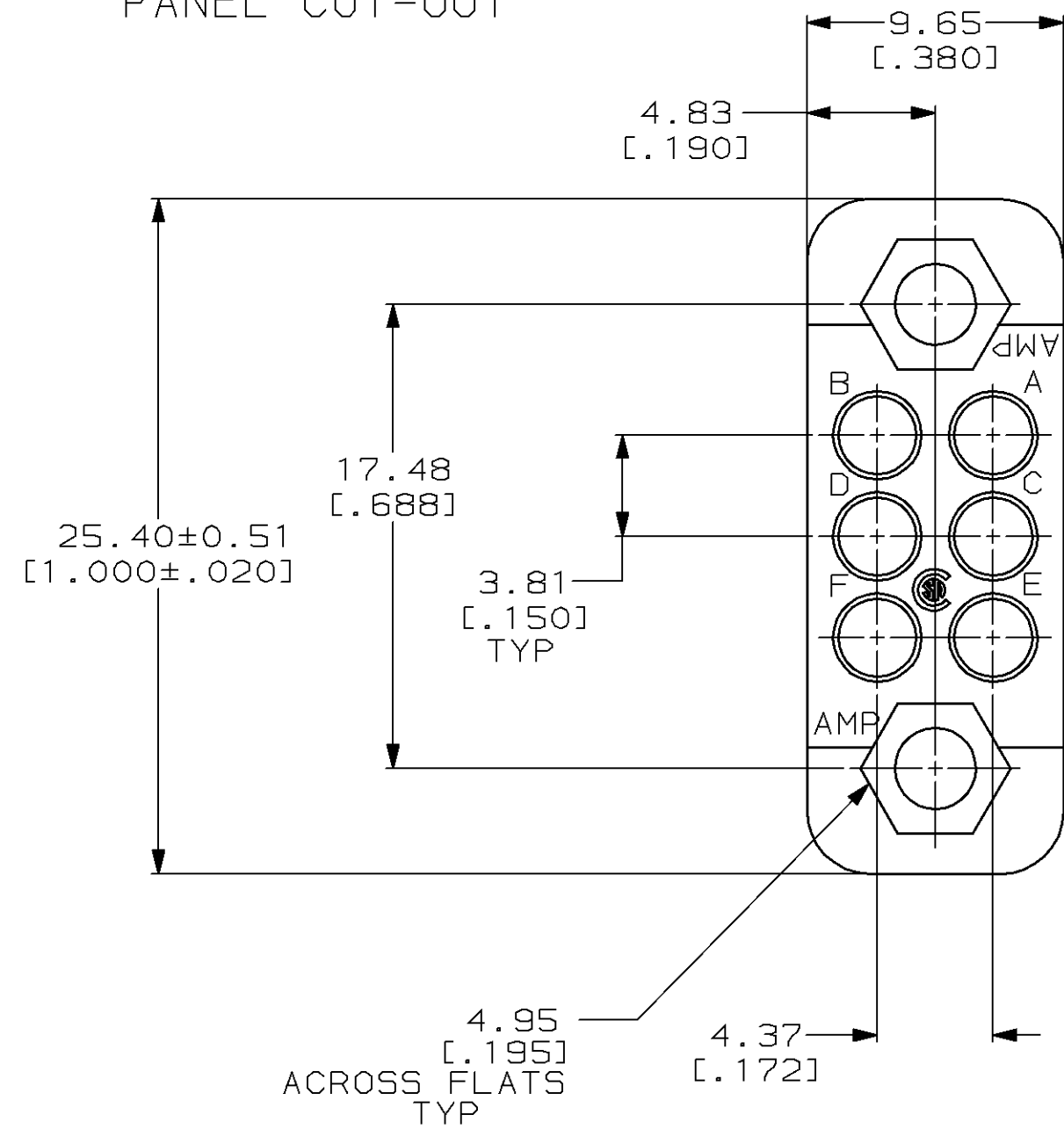
Address: A1208, Overseas Decoration Building, #122 Zhenhua RD., Futian, Shenzhen, China



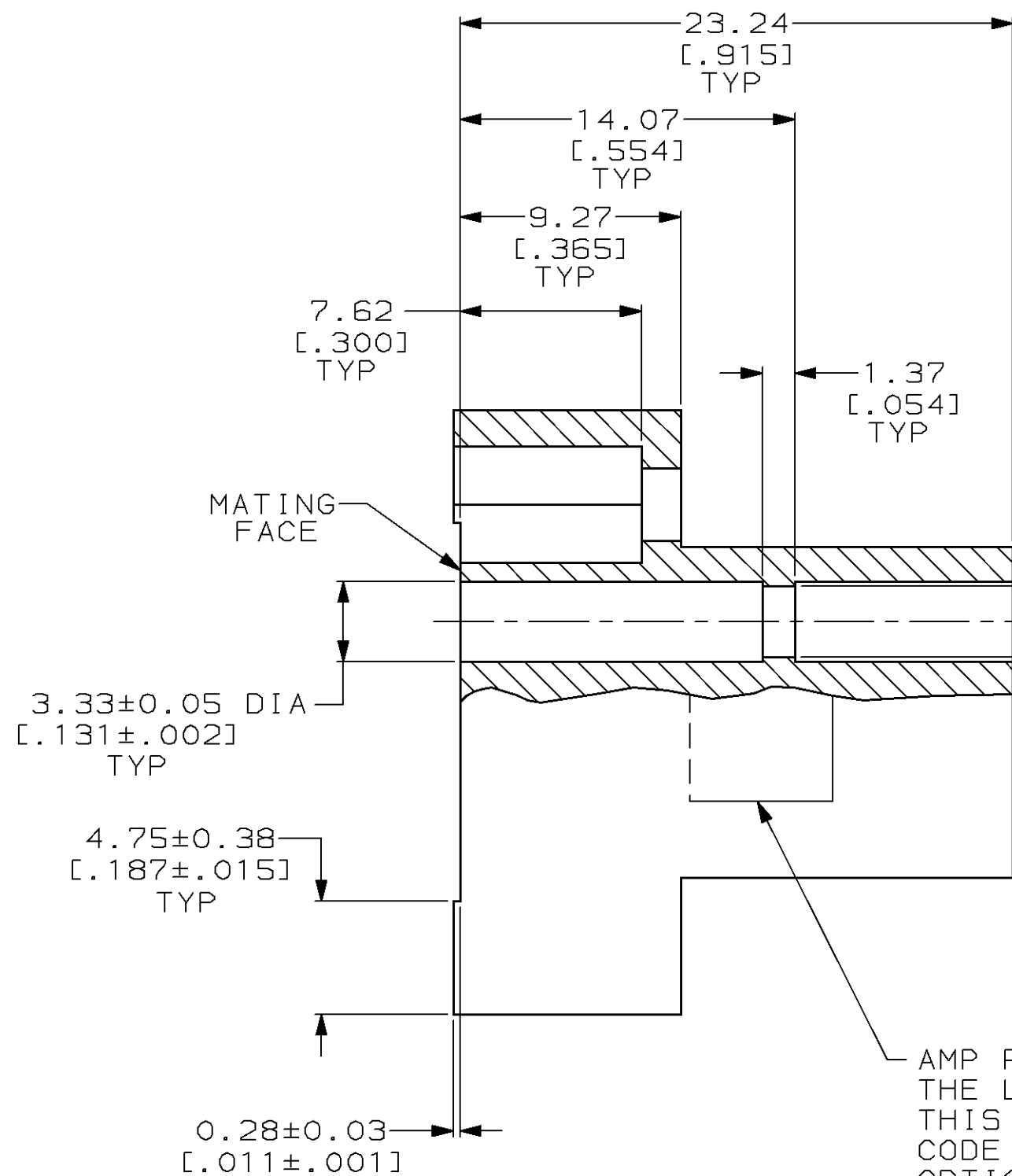
LOC	DIST	P	F	ZONE	LTR	DESCRIPTION	DATE	APPD
FT	8				D	OBS -5 & REDWN PER BD6577	08/29/92	GS
					E	REV PER EC 0320-82-97	14 AUG 97	GS



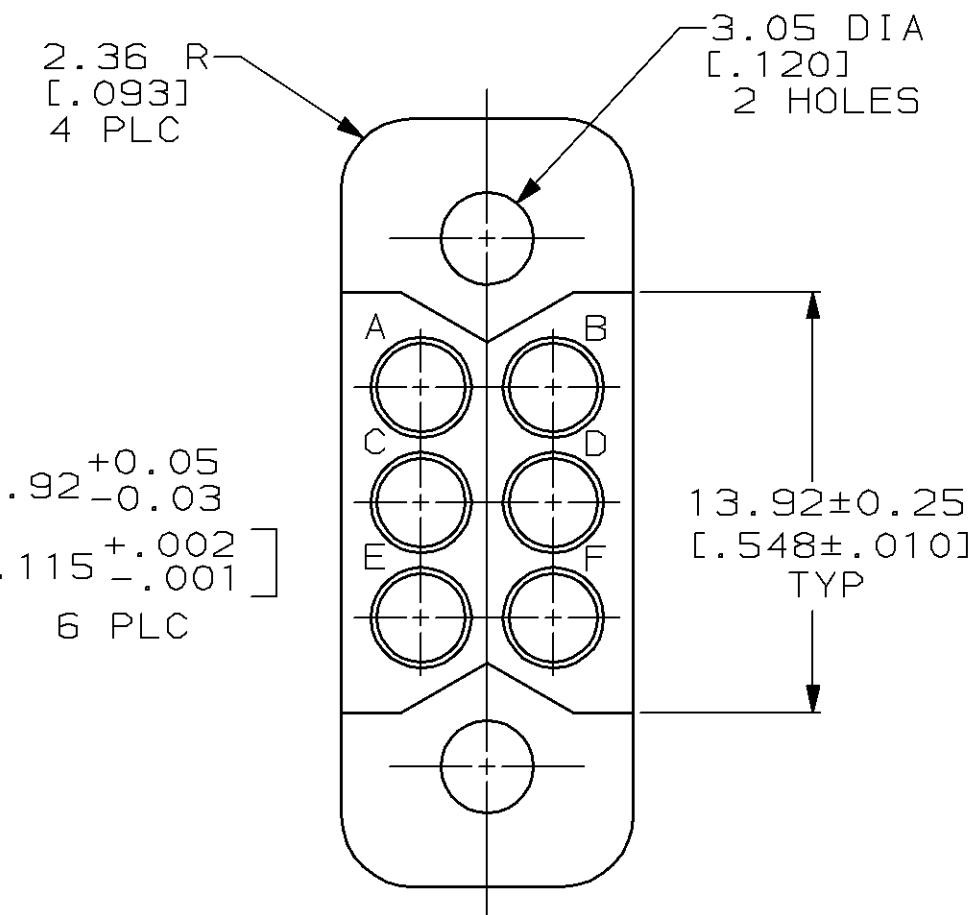
RECOMMENDED
 PANEL CUT-OUT



ACROSS FLATS
 TYP



AMP PART NO &
 THE LETTER "P"
 THIS AREA. DATE
 CODE AT AMP'S
 OPTION



- MATES WITH 202757 & ACCOMMODATES TYPE II, OR TYPE III #16 PIN, OR SOCKET CONTACTS.
- PHENOLIC, PER MIL-M-14, TYPE CFG, BLACK
- DIALLYL PHTHALATE, PER MIL-M-14, TYPE SDG-F, BLUE
- EPIALL, BLACK

OBSOLETE	4	202758-6
	3	202758-3
	2	202758-1
MATERIAL		PART NO

DO NOT SCALE PRINT. UNLESS SPECIFIED DIMENSIONS IN mm [INCHES] TOLERANCES ON: 2 PLC DEC ± 0.13 [.005] 3 PLC DEC ± - ANGLES ± -	DR 8-29-92 CHAD BAKER CHK 8-31-92 J. McCLINTON APPD 9-2-92 G. STEINHAUER APPD 9-9-92 C. ROHDE	AMP AMP Incorporated Harrisburg, PA 17105-3608 NAME RECEPTACLE BLOCK, MINIATURE, 6 POSN, MALE, M SERIES	
MATERIAL SEE TABLE	PRODUCT SPEC -	SIZE C	CAGE CODE 00779
FINISH -	APPLICATION SPEC -	DRAWING NO C=202758	
WEIGHT -		SCALE 4:1	SHEET 1 OF 1

THIS DRAWING IS A CONTROLLED DOCUMENT FOR AMP INCORPORATED. IT IS SUBJECT TO CHANGE AND THE CONTROLLING ENGINEERING ORGANIZATION SHOULD BE CONTACTED FOR THE LATEST REVISION.