



Chipsmall Limited consists of a professional team with an average of over 10 year of expertise in the distribution of electronic components. Based in Hongkong, we have already established firm and mutual-benefit business relationships with customers from,Europe,America and south Asia,supplying obsolete and hard-to-find components to meet their specific needs.

With the principle of “Quality Parts,Customers Priority,Honest Operation,and Considerate Service”,our business mainly focus on the distribution of electronic components. Line cards we deal with include Microchip,ALPS,ROHM,Xilinx,Pulse,ON,Everlight and Freescale. Main products comprise IC,Modules,Potentiometer,IC Socket,Relay,Connector.Our parts cover such applications as commercial,industrial, and automotives areas.

We are looking forward to setting up business relationship with you and hope to provide you with the best service and solution. Let us make a better world for our industry!



## Contact us

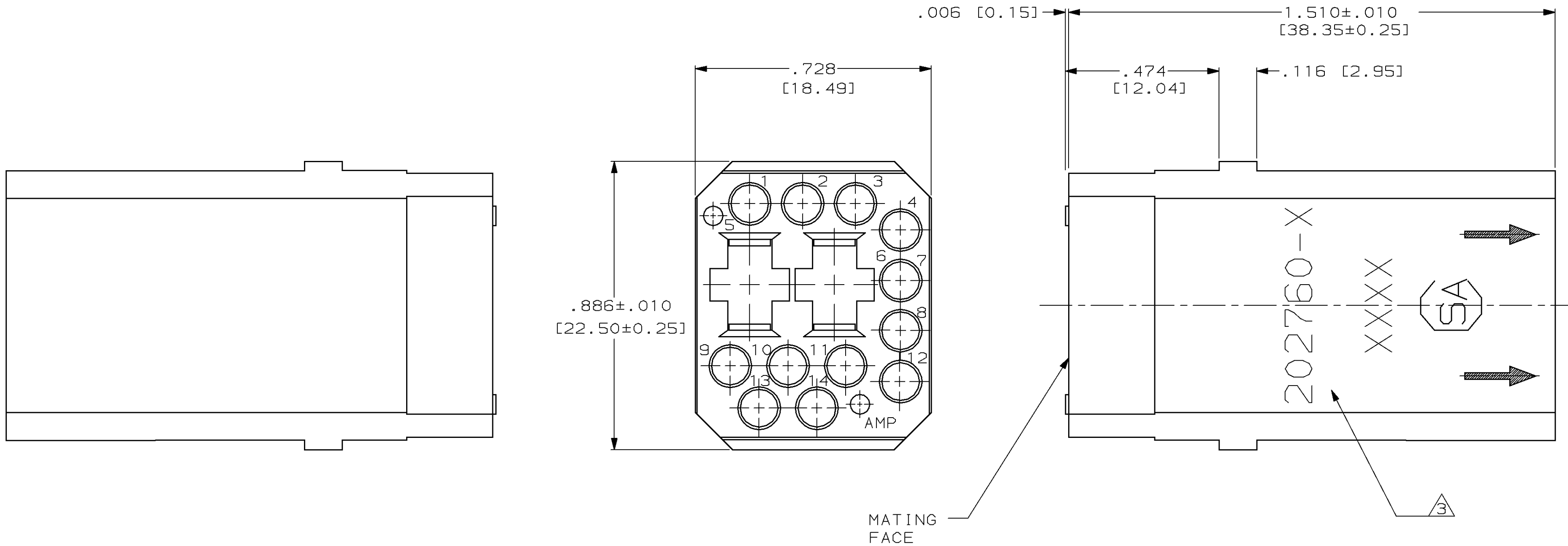
Tel: +86-755-8981 8866 Fax: +86-755-8427 6832

Email & Skype: info@chipsmall.com Web: www.chipsmall.com

Address: A1208, Overseas Decoration Building, #122 Zhenhua RD., Futian, Shenzhen, China



LOC	DIST	P	F	ZONE	LTR	REVISIONS			
						DESCRIPTION	DATE	APPD	
DF	BO				G	REV & REDRAWN DF-4297	PY	11-91	DBM
					H	REV PER 0600-4161-95	JB	08-30-95	DBM



- ① MATERIAL: PHENOLIC PER MIL-M-14, TYPE CFG OR MFH, COLOR: BLACK
  - ② MATERIAL: DIALLYL PHTHALATE PER MIL-M-14, TYPE SDG-F, COLOR: BLUE
  - ③ AMP PART NO, DATE CODE, CSA CERT, AND ARROWS MARKED WITH WHITE INK OR BY LASER MARKING AT APPROX AREA SHOWN, EITHER SIDE
4. THIS MODULE WILL ACCOMMODATE:  
 (2) TYPE XII FEMALE CONTACTS AND  
 (12) SUBMINIATURE COAXICON, TYPE II SIZE 16, TYPE III(+) SIZE 16 OR TYPE VI SIZE 16 SOCKET CONTACTS
5. THIS MODULE MATES WITH 202759

②	202760-4
①	202760-2
MATERIAL	PART NUMBER

DO NOT SCALE PRINT. UNLESS SPECIFIED DIMENSIONS IN INCHES [mm]		DR 9-12-91 P.YEAGER		AMP AMP Incorporated Harrisburg, PA 17105-3608	
TOLERANCES ON :		CHK 11-12-91 D.B.MUMMEY		NAME	
2 PLC DEC ± -		APPD 11-12-91 D.B.MUMMEY		FEMALE BLOCK G SERIES, 14 POSN	
3 PLC DEC ± .005		APPD -			
ANGLES ± -		PRODUCT SPEC -		SIZE CAGE CODE DRAWING NO	
MATERIAL SEE TABLE		APPLICATION SPEC -		C 00779 202760	
FINISH -		WEIGHT -		SCALE 4:1 SHEET 1 OF 1	