



Chipsmall Limited consists of a professional team with an average of over 10 year of expertise in the distribution of electronic components. Based in Hongkong, we have already established firm and mutual-benefit business relationships with customers from,Europe,America and south Asia,supplying obsolete and hard-to-find components to meet their specific needs.

With the principle of “Quality Parts,Customers Priority,Honest Operation,and Considerate Service”,our business mainly focus on the distribution of electronic components. Line cards we deal with include Microchip,ALPS,ROHM,Xilinx,Pulse,ON,Everlight and Freescale. Main products comprise IC,Modules,Potentiometer,IC Socket,Relay,Connector.Our parts cover such applications as commercial,industrial, and automotives areas.

We are looking forward to setting up business relationship with you and hope to provide you with the best service and solution. Let us make a better world for our industry!



Contact us

Tel: +86-755-8981 8866 Fax: +86-755-8427 6832

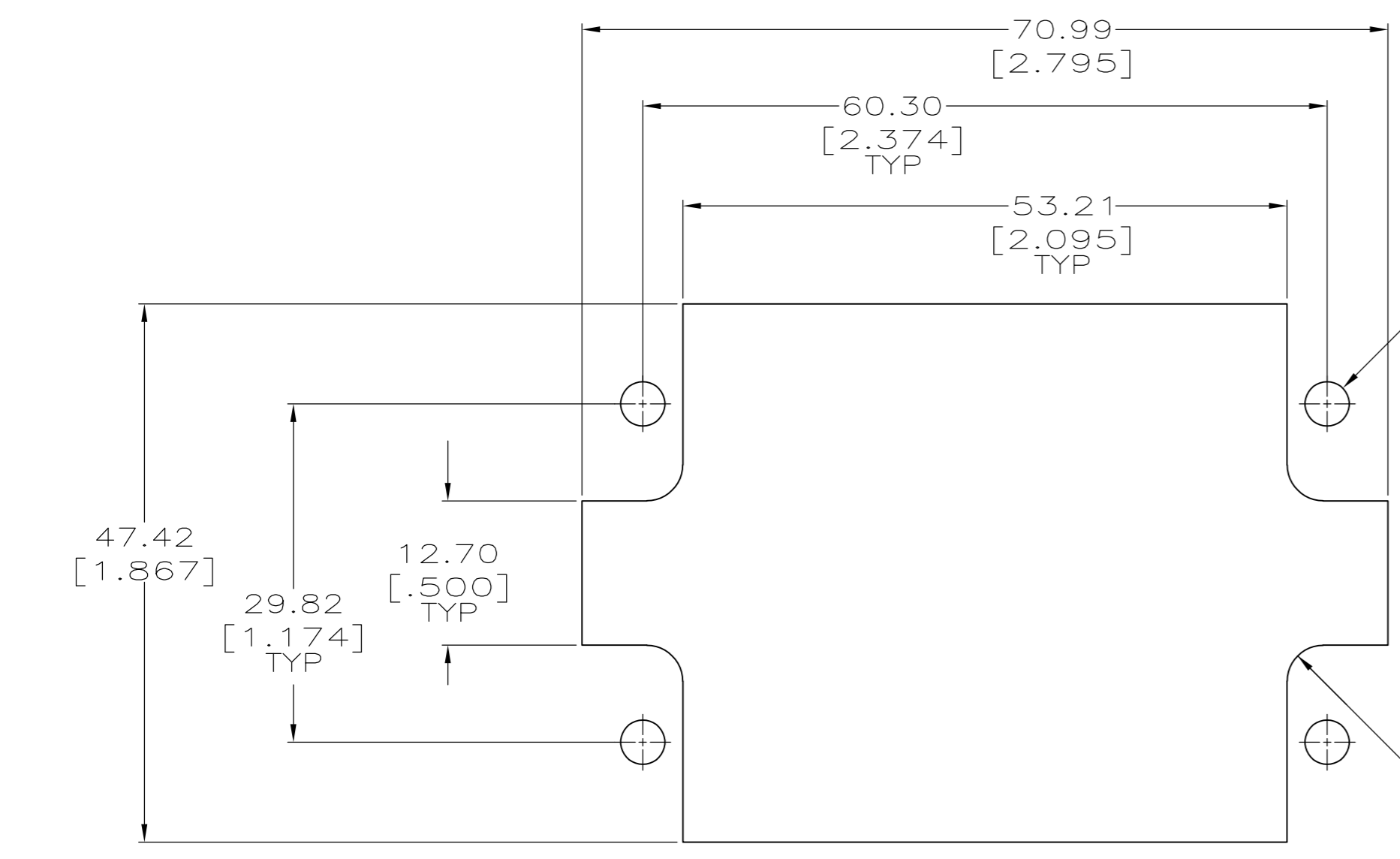
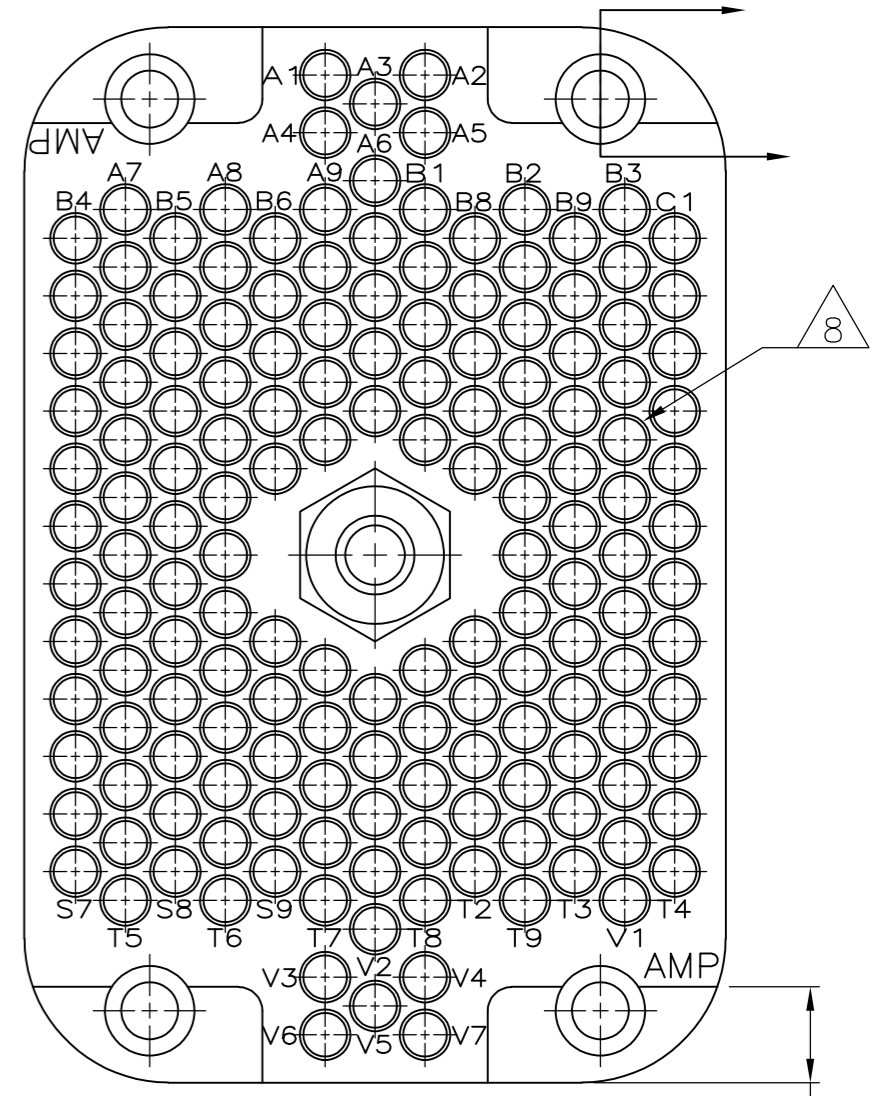
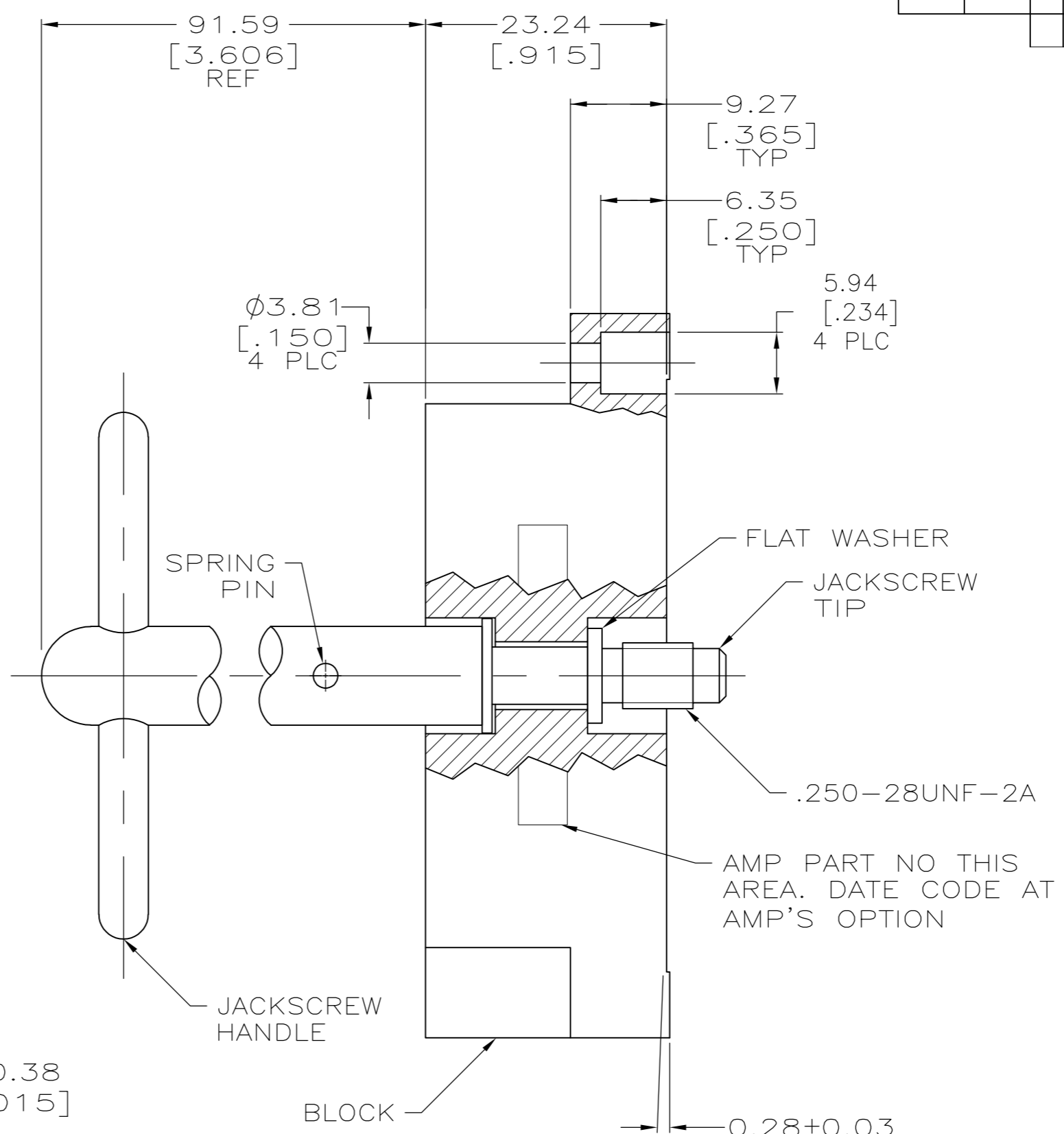
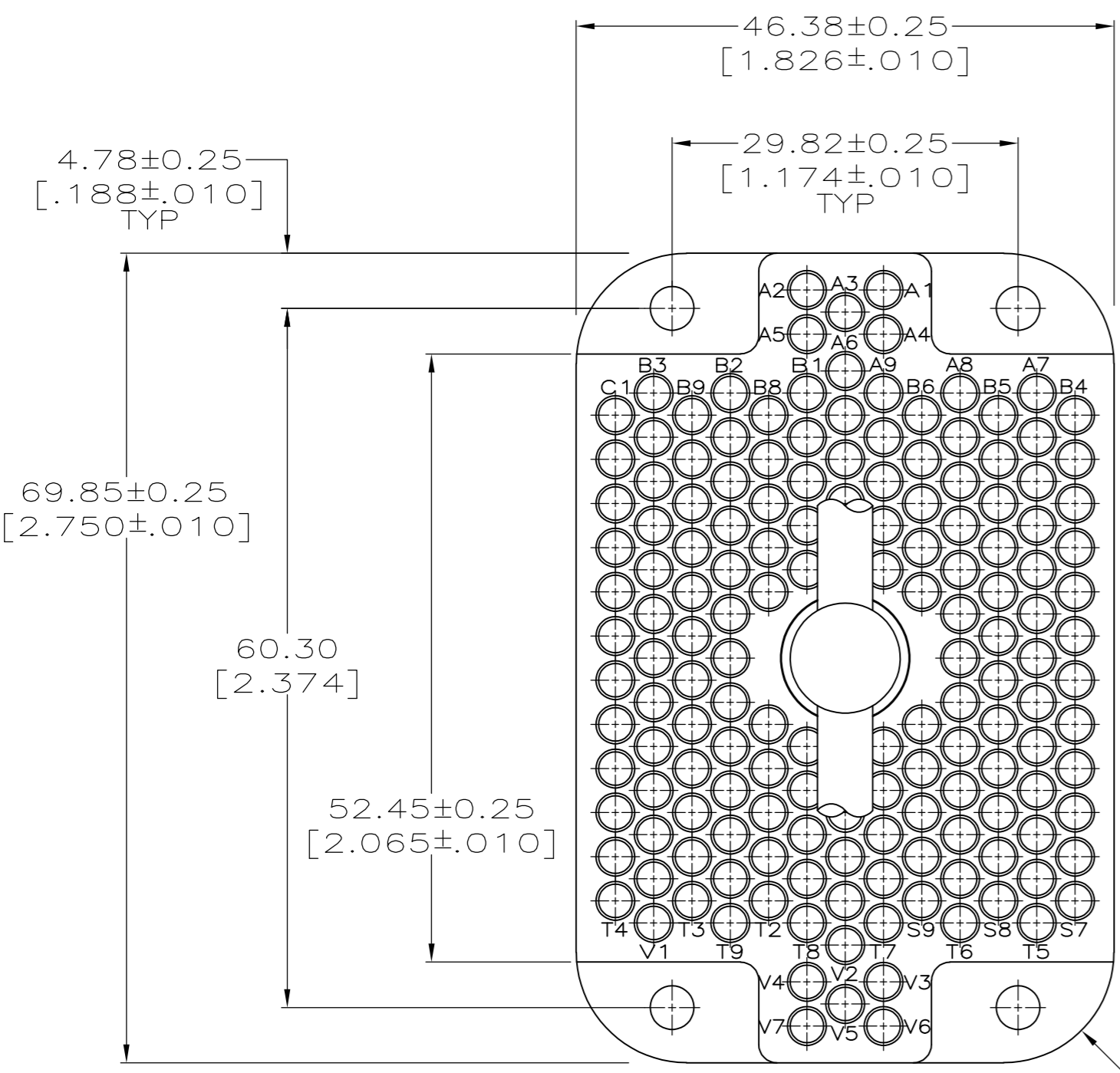
Email & Skype: info@chipsmall.com Web: www.chipsmall.com

Address: A1208, Overseas Decoration Building, #122 Zhenhua RD., Futian, Shenzhen, China



THIS DRAWING IS UNPUBLISHED. RELEASED FOR PUBLICATION
 © COPYRIGHT - By - ALL RIGHTS RESERVED.

LOC		DIST		REVISIONS			
P	LTR	DESCRIPTION	DATE	DWN	APVD		
FT	0						
	D2	REVISED PER ECO-12-002703	13FEB12	KH	DR		



- 1 BLOCK: SEE TABLE. JACKSCREW HANDLE, JACKSCREW TIP, & FLAT WASHER: STAINLESS STEEL. SPRING PIN: HIGH CARBON STEEL.
- 2 JACKSCREW HANDLE, JACKSCREW TIP, & FLAT WASHER: PASSIVATED.
- 3 MATES WITH BLOCK 202800.
- 4 DIALLYL PHTHALATE, PER MIL-M-14, TYPE SDG-F, BLUE.
- 5 PHENOLIC PER MIL-M-14, TYPE CFG, BLACK.
- 6 FINISH: ZINC PLATE WITH HEXAVALENT CHROMATE.
- 7 FINISH: ZINC PLATE WITH NON-HEXAVALENT CHROMATE.
- 8 CIRCUIT CAVITY NUMBERING SKIPS I, O, Q AND U SEQUENCES

SPRING PIN FINISH	BLOCK MATERIAL	PART NUMBER
7	5	202799-4
7	4	202799-3
6	5	202799-2
6	4	202799-1

THIS DRAWING IS A CONTROLLED DOCUMENT.		DWN B.CARBO 08 AUG 97	STE TE Connectivity	
DIMENSIONS: mm [INCHES]		CHK R.STONE 18 AUG 97		
TOLERANCES UNLESS OTHERWISE SPECIFIED:		APVD G.STEINHAUER 05 SEP 97	NAME	
0 PLC ± -	1 PLC ± -	PRODUCT SPEC	PLUG BLOCK ASSY, 160 POSITION, W/ CENTER FASTENER, M SERIES	
2 PLC ± 0.13 [.005]	3 PLC ± -	APPLICATION SPEC	SIZE A2	CAGE CODE 00779
4 PLC ± -	ANGLES ± -	WEIGHT -	DRAWING NO C=202799	RESTRICTED TO -
MATERIAL 1	FINISH 2	CUSTOMER DRAWING	SCALE 2:1	SHEET 1 OF 1
			REV D2	