



Chipsmall Limited consists of a professional team with an average of over 10 year of expertise in the distribution of electronic components. Based in Hongkong, we have already established firm and mutual-benefit business relationships with customers from,Europe,America and south Asia,supplying obsolete and hard-to-find components to meet their specific needs.

With the principle of "Quality Parts,Customers Priority,Honest Operation,and Considerate Service",our business mainly focus on the distribution of electronic components. Line cards we deal with include Microchip,ALPS,ROHM,Xilinx,Pulse,ON,Everlight and Freescale. Main products comprise IC,Modules,Potentiometer,IC Socket,Relay,Connector.Our parts cover such applications as commercial,industrial, and automotives areas.

We are looking forward to setting up business relationship with you and hope to provide you with the best service and solution. Let us make a better world for our industry!



Contact us

Tel: +86-755-8981 8866 Fax: +86-755-8427 6832

Email & Skype: info@chipsmall.com Web: www.chipsmall.com

Address: A1208, Overseas Decoration Building, #122 Zhenhua RD., Futian, Shenzhen, China



© 1963 BY AMP INCORPORATED. ALL RIGHTS RESERVED. AMP PRODUCTS COVERED BY PATENTS AND/OR PATENTS PENDING. APPROVED PER GOVT CONTRACT NO.

REVISIONS				
ZONE	LTR	DESCRIPTION	DATE	APPROVED
N	REV PER	ECO-08-006296	PY	07-08 BW

SERIES "G" CONNECTORS AND SHIELD SHOWN FOR REFERENCE ONLY

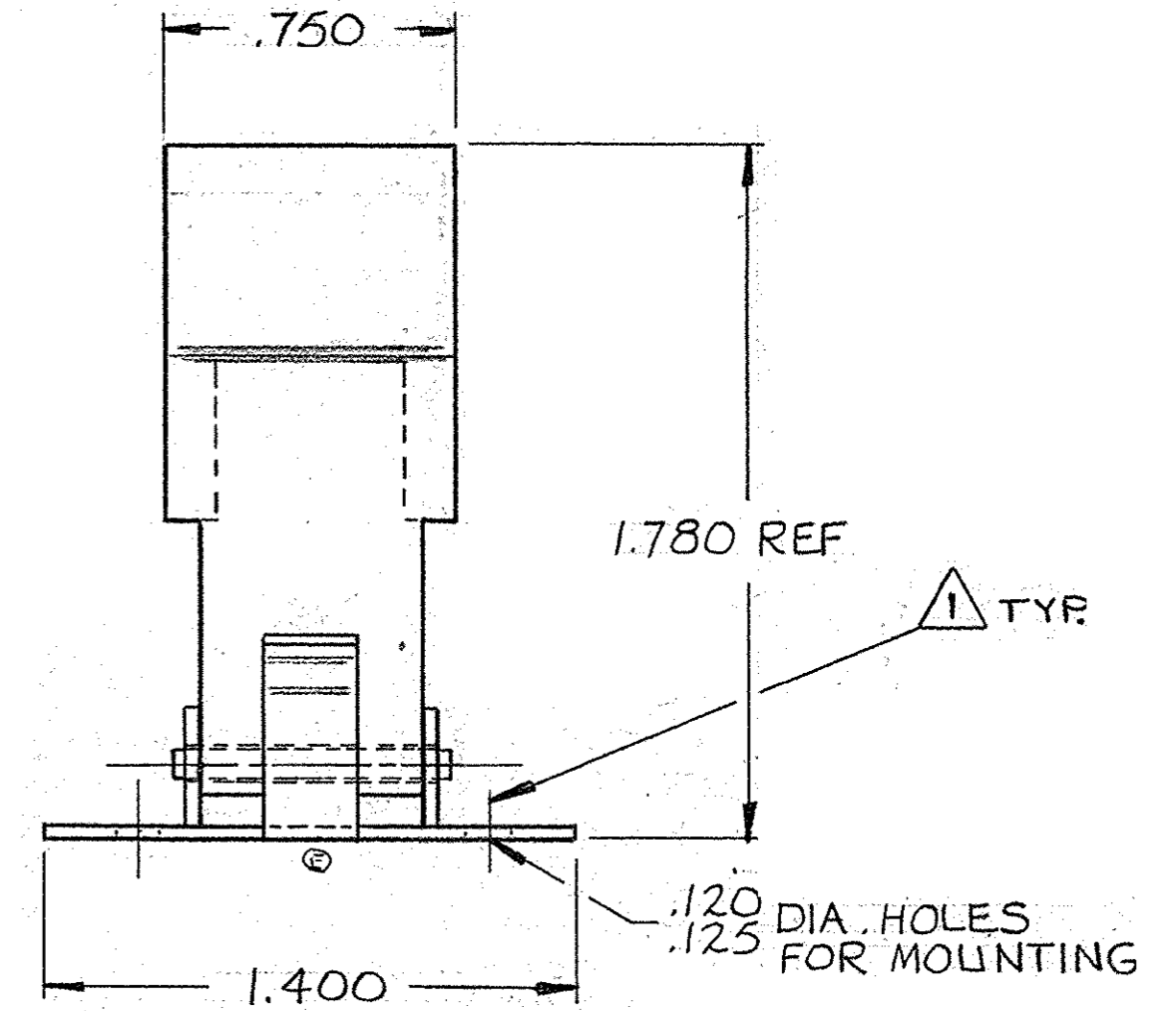
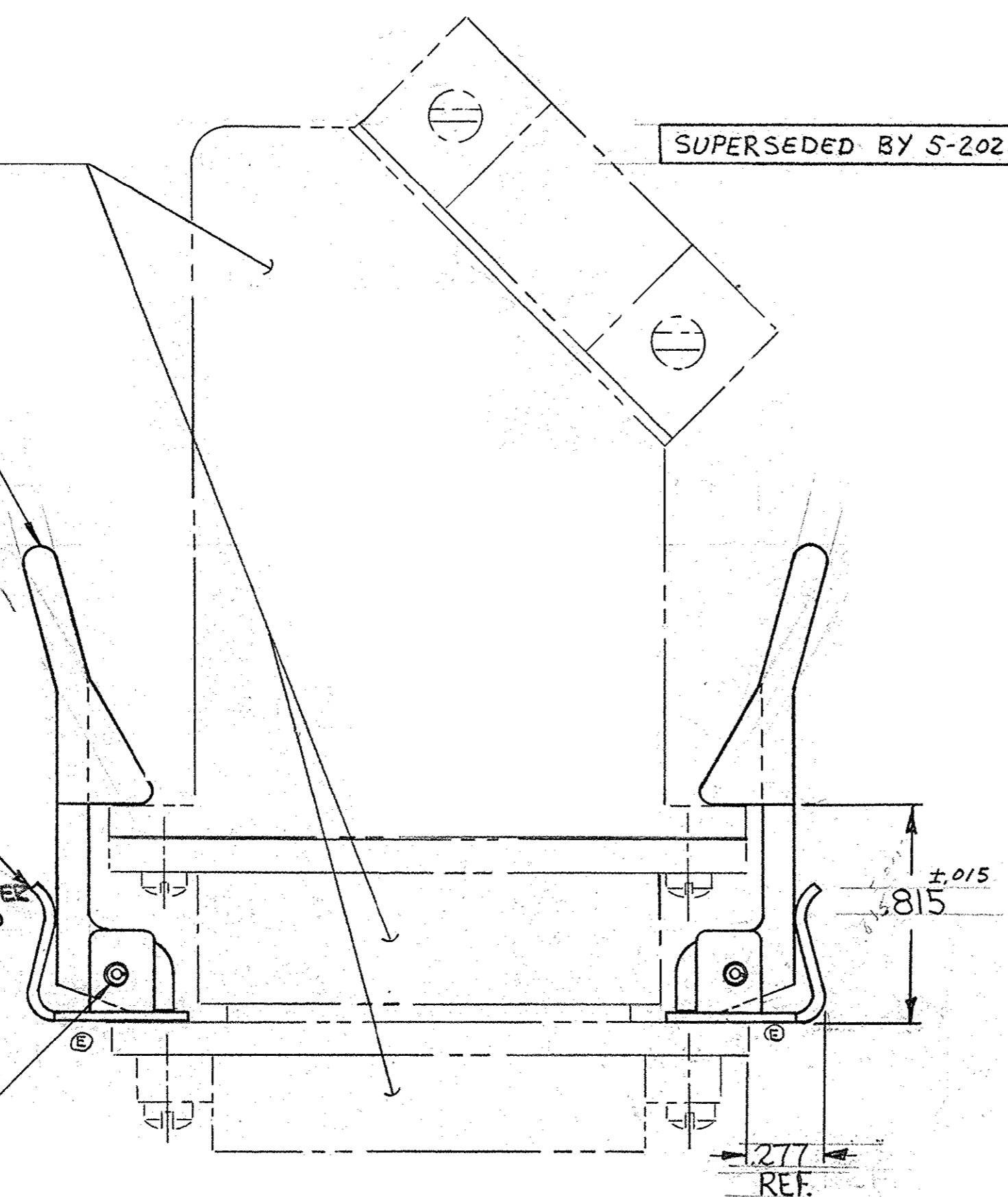
SUPERSEDED BY 5-202832-2

- 202832 -1 1. AS SHOWN
2. WITHOUT MOUNTING HARDWARE
- 202832 -2 1. SAME AS -1 EXCEPT
2. WITH MOUNTING HARDWARE Δ
- 202832 -3 1. SAME AS -1 EXCEPT:
2. CONSIST OF ONE LOCKING LATCH ASSY WITHOUT MOUNTING HARDWARE.
- 5-202832-1 1. SAME AS -1 EXCEPT-
ROHS COMPLIANT RC
- 5-202832-2 1. SAME AS -1 EXCEPT-
WITH MOUNTING HARDWARE Δ

LOCKING LATCH
MAT'L: ZINC DIE CAST
PER QQ-E-363

SPRING CATCH PLATE
MAT'L: CARBON STEEL PER
QQ-S-700
FINISH: PLATED NICKEL PER
QQ-N-290 OVER COPPER
FLASH PER MIL-C-14550

ROLL PIN (.094 DIA.)
MAT'L: CARBON STEEL
FINISH: PLATED ZINC



- Δ MOUNTING HARDWARE: WASHER (PASSIVATED STAINLESS STEEL) #4-40 HEX NUT (ZINC PLATED CARBON STEEL) #4-40 FILLISTER HD SCREW (ZINC PLATED CARBON STEEL W/ SUPPLEMENTARY CHROMATE FINISH)
- 2. TWO LOCKING LATCH ASSEMBLIES ARE INCLUDED WITH -1, -2 & 5-2.
- 3. ALL LOCKING LATCHES MUST BE USED IN CONJUNCTION WITH A SHIELD AS SHOWN.
- 4. NOT TO BE USED WITH FLOATING BUSHINGS.
- Δ MOUNTING HARDWARE: #4-40 FILLISTER SCREW, WASHER AND #4-40 HEX NUT- STAINLESS STEEL; PASSIVATED

AMP INFO		QTY REQD	NOMENCLATURE OR DESCRIPTION	PART OR IDENTIFYING NO.			
LOC	PRINT DIST	R39				LIST OF MATERIALS OR PARTS LIST	
UNLESS OTHERWISE SPECIFIED		CONTRACT NO.		AMP INCORPORATED HARRISBURG, PENNSYLVANIA		AMP TRADEMARK	
DIMENSIONS ARE IN INCHES		DR	DATE	SERIES G LOCKING LATCH ASSEMBLY		NAME	
FRACTIONS	DECIMALS	ANGLES	± .005	K. Jones	7/30/65		
MATERIAL		CHK	DATE				
① SEE CALLOUTS		R.S. Heider	9/10/65				
HEAT TREAT		DSGN ENGR	DATE				
		J. J. Hilligane	9-13-65				
FINISH		APPD	DATE				
① SEE CALLOUTS		F. B. Miller, Jr.	9-13-65				
OTHER APPD		DSGN APPD		SIZE	CODE IDENT NO	NUMBER	REV
				C	00779	202832	N
SCALE		WT		CALC		ACTUAL	
2-1						SHEET	

NUMBER 202832