



Chipsmall Limited consists of a professional team with an average of over 10 year of expertise in the distribution of electronic components. Based in Hongkong, we have already established firm and mutual-benefit business relationships with customers from,Europe,America and south Asia,supplying obsolete and hard-to-find components to meet their specific needs.

With the principle of “Quality Parts,Customers Priority,Honest Operation,and Considerate Service”,our business mainly focus on the distribution of electronic components. Line cards we deal with include Microchip,ALPS,ROHM,Xilinx,Pulse,ON,Everlight and Freescale. Main products comprise IC,Modules,Potentiometer,IC Socket,Relay,Connector.Our parts cover such applications as commercial,industrial, and automotives areas.

We are looking forward to setting up business relationship with you and hope to provide you with the best service and solution. Let us make a better world for our industry!



Contact us

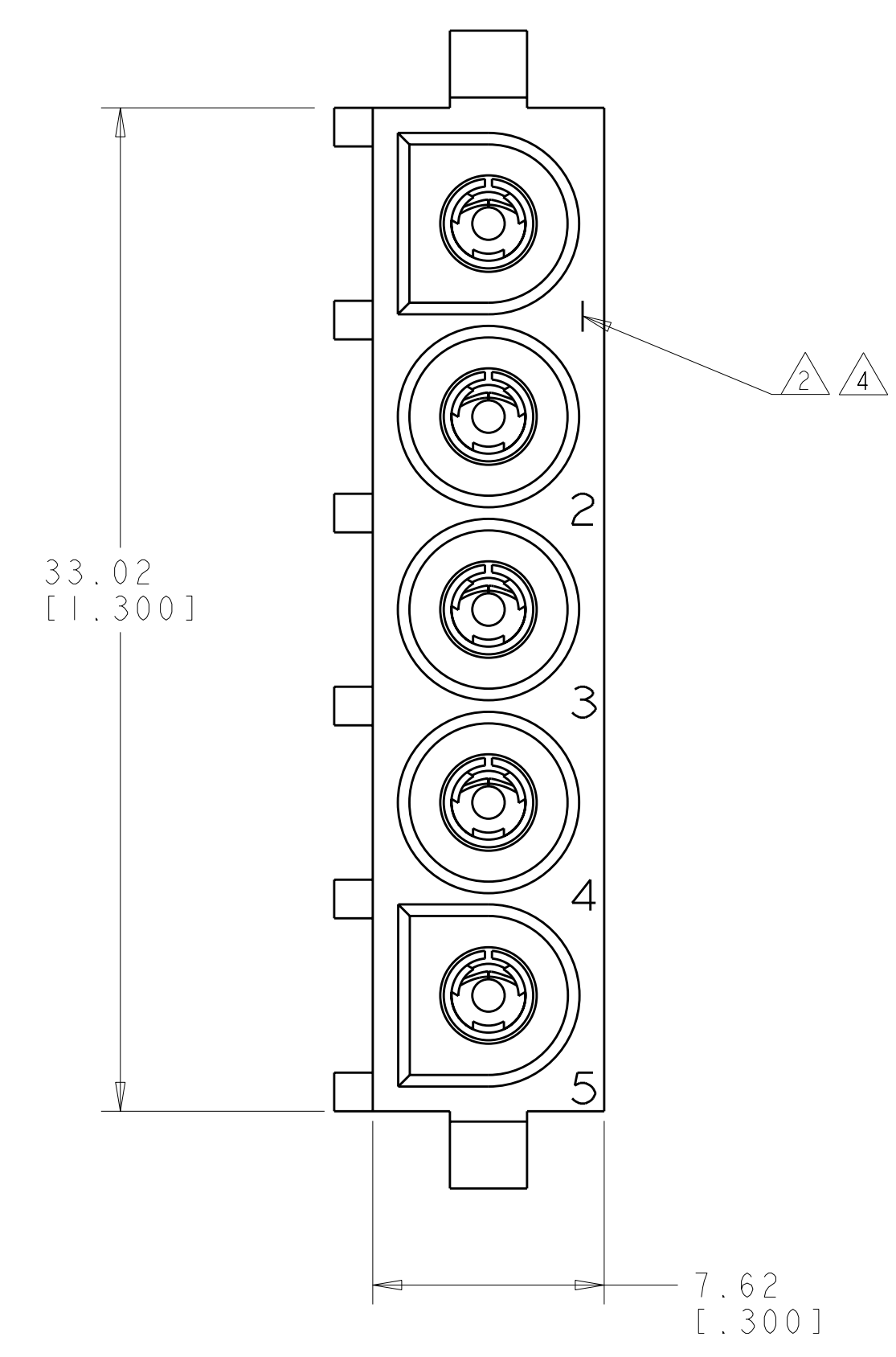
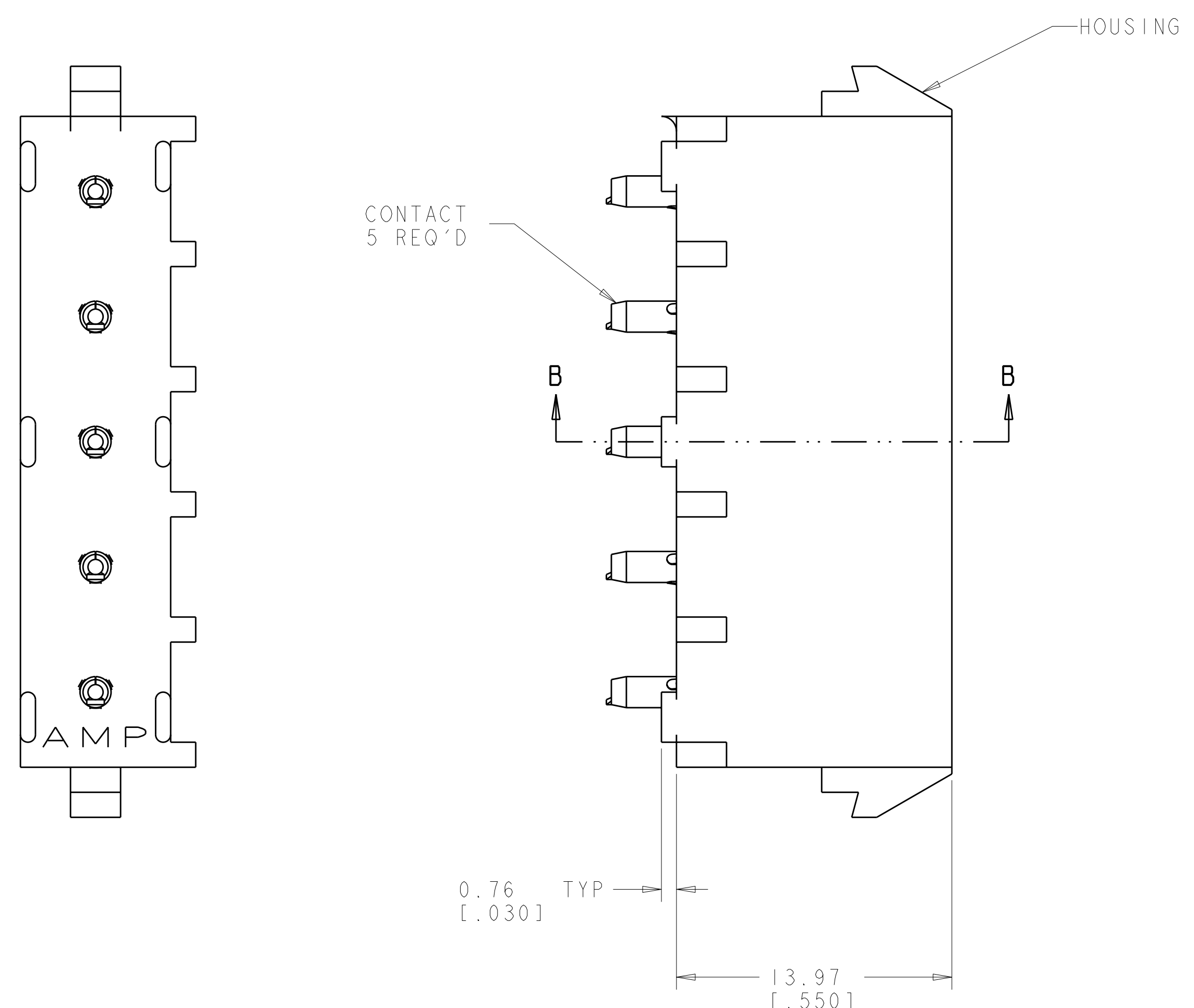
Tel: +86-755-8981 8866 Fax: +86-755-8427 6832

Email & Skype: info@chipsmall.com Web: www.chipsmall.com

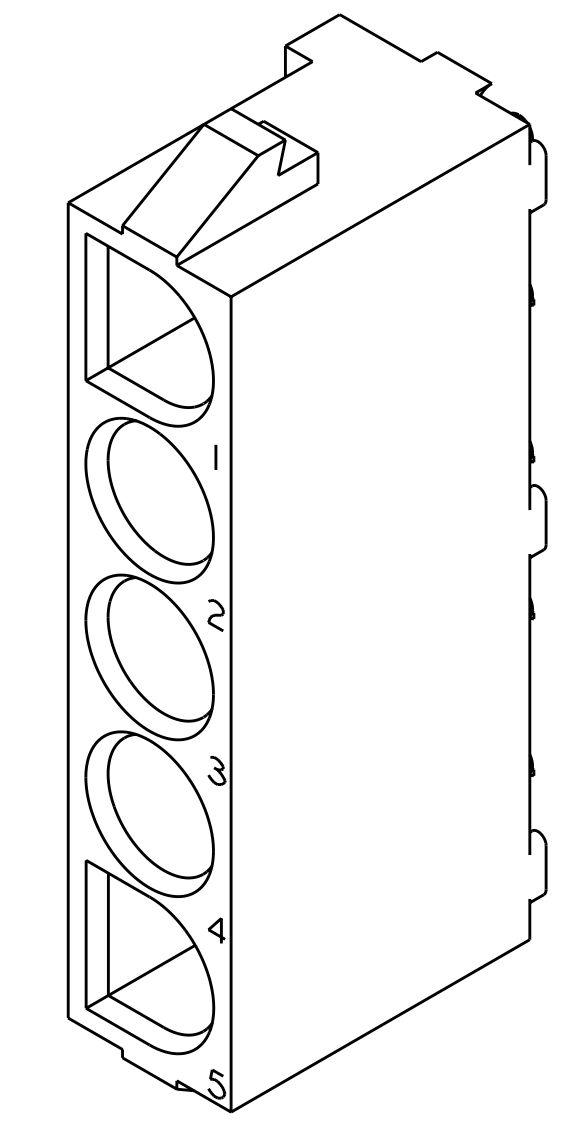
Address: A1208, Overseas Decoration Building, #122 Zhenhua RD., Futian, Shenzhen, China



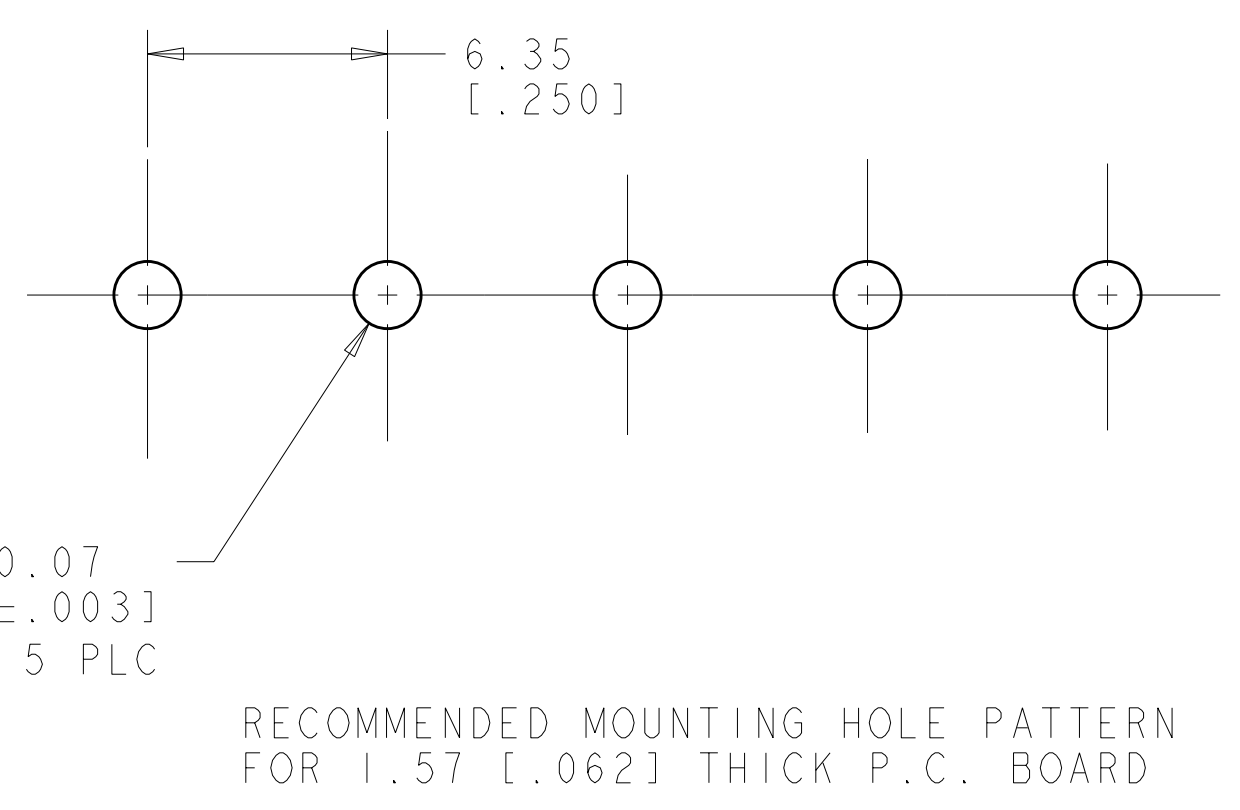
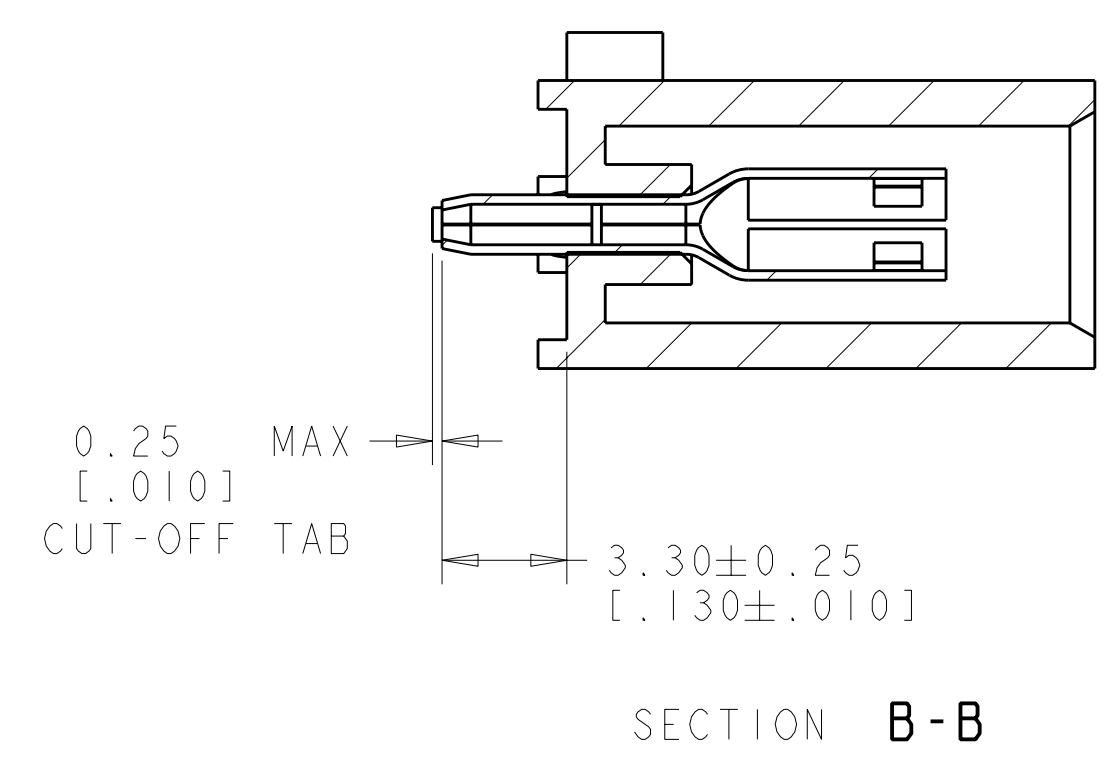
LOC	DIST	REVISIONS			
		REV	DATE	BY	APPD
CM	00	A	RELEASED	23NOV11	JR TM



- 1. PARTS COMPLY TO AMP SOLDERABILITY SPECIFICATION 109-11-3.
- 2. CIRCUIT IDENTIFICATION CHARACTERS ARE ADJACENT TO THE INDICATED CAVITIES, BUT LOCATION AND ORIENTATION MAY DIFFER FROM PRINT.
- 3. DIMENSIONS IN BRACKETS ARE IN INCHES.
- 4. IDENTIFICATION WILL APPEAR AT CIRCUIT NO. 1, OTHERS OPTIONAL.



SCALE 4:1



PHOSPOR BRONZE, PRE-TIN	NYLON, UL94V-2, NATURAL	2029361-1
SOCKET CONTACT MATL AND FINISH	HOUSING MATERIAL AND COLOR	PART NUMBER

DIMENSIONS: mm [INCHES] TOLERANCES UNLESS OTHERWISE SPECIFIED: 9 PLC ± 1 PLC ± 2 PLC ±0.20 [1.008] 3 PLC ± 4 PLC ± ANGLES ±40° 30'		DWN R. WHITAKER 07MAY04 CHK S. RIDGILL 07MAY04 APVD S. RIDGILL 07MAY04 NAME PRODUCT SPEC APPLICATION SPEC WEIGHT FINISH SEE TABLE		Tyco Electronics Corporation Harrisburg, PA 17105-3608 SOCKET HEADER ASSEMBLY, 5 CIRCUIT, NO DRAIN HOLES, UNIVERSAL MATE-N-LOK™ SIZE CAGE CODE DRAWING NO. RESTRICTED TO A1 00779 C=2029361 CUSTOMER DRAWING SCALE 5:1 SHEET 1 OF 1 REV A	
---------------------------------------------------------------------------------------------------------------------------------------------------------	--	--------------------------------------------------------------------------------------------------------------------------------------------------------	--	----------------------------------------------------------------------------------------------------------------------------------------------------------------------------------------------------------------------------------------------------------------	--