



Chipsmall Limited consists of a professional team with an average of over 10 year of expertise in the distribution of electronic components. Based in Hongkong, we have already established firm and mutual-benefit business relationships with customers from,Europe,America and south Asia,supplying obsolete and hard-to-find components to meet their specific needs.

With the principle of "Quality Parts,Customers Priority,Honest Operation,and Considerate Service",our business mainly focus on the distribution of electronic components. Line cards we deal with include Microchip,ALPS,ROHM,Xilinx,Pulse,ON,Everlight and Freescale. Main products comprise IC,Modules,Potentiometer,IC Socket,Relay,Connector.Our parts cover such applications as commercial,industrial, and automotives areas.

We are looking forward to setting up business relationship with you and hope to provide you with the best service and solution. Let us make a better world for our industry!



Contact us

Tel: +86-755-8981 8866 Fax: +86-755-8427 6832

Email & Skype: info@chipsmall.com Web: www.chipsmall.com

Address: A1208, Overseas Decoration Building, #122 Zhenhua RD., Futian, Shenzhen, China



THIS DRAWING IS UNPUBLISHED.

RELEASED FOR PUBLICATION

© COPYRIGHT 20

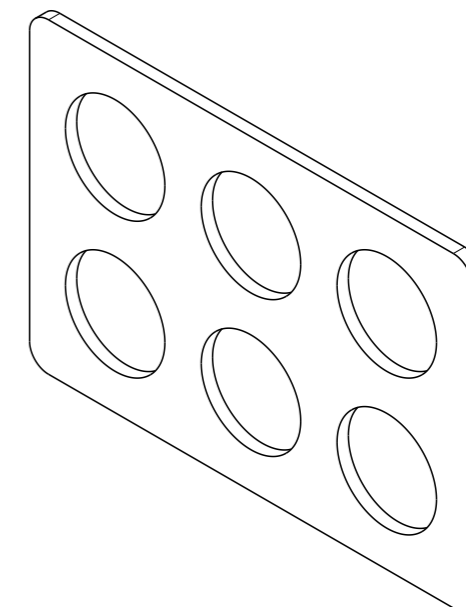
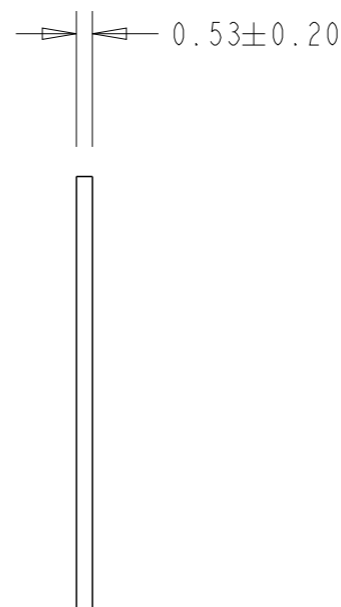
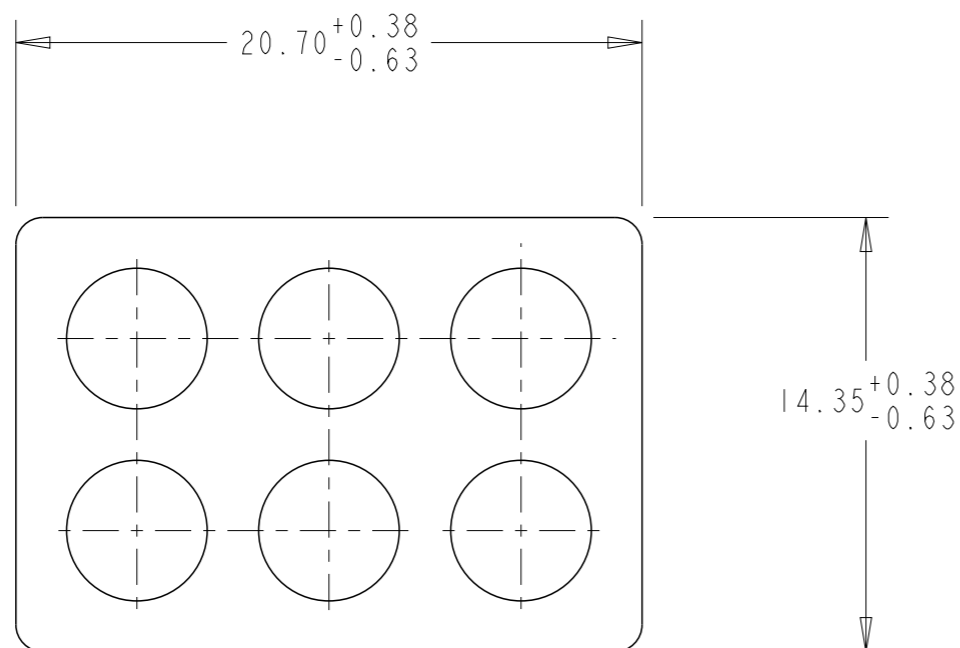
ALL RIGHTS RESERVED.

LOC CM DIST 45

REVISIONS

P	LTR	DESCRIPTION	DATE	DWN	APVD
	A1	RELEASED PER ECR-12-016071	13SEP2012	KH	TM

1 MATERIAL: CLOSED CELL SILICON FOAM, BLACK
 2. SUPPLIED ON MYLAR TAPE.



2029442-1
PART NUMBER

THIS DRAWING IS A CONTROLLED DOCUMENT.

DWN JR RUTH 20JUN12

CHK THOMAS MICHIELUTTI 20JUN12

APVD THOMAS MICHIELUTTI 20JUN12

PRODUCT SPEC

APPLICATION SPEC

WEIGHT -

Customer Drawing

STE TE Connectivity

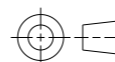
TPA SPACER,
6 CIRCUIT,
UNIVERSAL MATE-N-LOK-11

SIZE A3 CAGE CODE 00779 DRAWING NO C-2029442 RESTRICTED TO -

SCALE 4:1 SHEET 1 OF 1 REV A1

DIMENSIONS:
mm

TOLERANCES UNLESS OTHERWISE SPECIFIED:



- 0 PLC ±-
- 1 PLC ±-
- 2 PLC ±0.51
- 3 PLC ±-
- 4 PLC ±-
- ANGLES ±-
- FINISH -

MATERIAL

