



Chipsmall Limited consists of a professional team with an average of over 10 year of expertise in the distribution of electronic components. Based in Hongkong, we have already established firm and mutual-benefit business relationships with customers from,Europe,America and south Asia,supplying obsolete and hard-to-find components to meet their specific needs.

With the principle of "Quality Parts,Customers Priority,Honest Operation,and Considerate Service",our business mainly focus on the distribution of electronic components. Line cards we deal with include Microchip,ALPS,ROHM,Xilinx,Pulse,ON,Everlight and Freescale. Main products comprise IC,Modules,Potentiometer,IC Socket,Relay,Connector.Our parts cover such applications as commercial,industrial, and automotives areas.

We are looking forward to setting up business relationship with you and hope to provide you with the best service and solution. Let us make a better world for our industry!



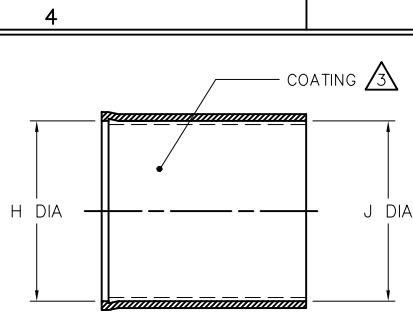
## Contact us

Tel: +86-755-8981 8866 Fax: +86-755-8427 6832

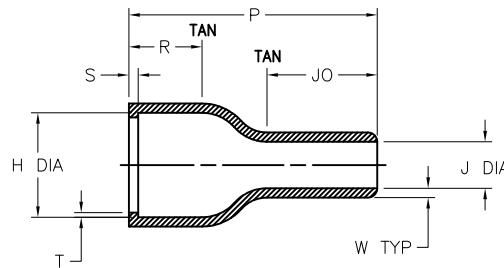
Email & Skype: info@chipsmall.com Web: www.chipsmall.com

Address: A1208, Overseas Decoration Building, #122 Zhenhua RD., Futian, Shenzhen, China





AS SUPPLIED



AFTER UNRESTRICTED RECOVERY

REVISIONS		
LTR	DESCRIPTION	DATE
A	INITIAL RELEASE OF DWG PER ECO-10-024786	12/03/2010

NOTES:

- ALL DIMENSIONS ARE IN:  $\frac{\text{INCHES}}{[\text{MILLIMETERS}]}$
- DIMENSION APPEARING IN TABLE ARE AS FOLLOWS:  
 a - AS SUPPLIED  
 b - AFTER UNRESTRICTED RECOVERY

3 COATING (ADHESIVE) IS OPTIONAL. AS SUPPLIED DIMENSIONS APPEARING IN TABLE ARE FOR UNCOATED PARTS. WHEN COATING IS ADDED, ENTRY DIAMETER WILL BE REDUCED BY .06 MAX.

PART NUMBER	H		J		P	R	S	T	JO	W
	Min	Max	Min	Max	±10%	±10%	±10%	±20%	±10%	±20%
	a	b	a	b	b	b	b	b	b	b
202D142-XX-35	1.22 [31,0]	.70 [17,8]	1.22 [31,0]	.28 [7,2]	1.60 [40,6]	.59 [15,0]	.12 [3,1]	.04 [1,0]	.46 [11,7]	.08 [2,0]

ORDERING INFORMATION: 202D142 -XX -35 /XXX -0

- BASE PART NUMBER
- MATERIAL DASH NUMBER (See Compatibility Chart)
- MODIFICATION NUMBER
- ADHESIVE SLASH NUMBER (See Compatibility Chart)
- COLOR DESIGNATOR

If this document is printed it becomes uncontrolled. Check for the latest revision

COMPATIBILITY CHART

MATERIAL DASH No.	MATERIAL DESCRIPTION	MATERIAL SPEC	ADHESIVE COATING SLASH No.	ADHESIVE COATING "S" No.
-3	POLYOLEFIN, SEMI-RIGID	RT-301	/42, /86	S-1017, S-1048
-4	POLYOLEFIN, FLEXIBLE	RT-1304	/42, /86, /87, /180	S-1017, S-1048, S-1052, S-1030
-25	ELASTOMER FLUID RESISTANT	RW-2070	/225	S-1206

UNLESS OTHERWISE SPECIFIED DIMENSIONS ARE INCHES. METRIC DIMENSIONS ARE IN BRACKETS.

DECIMAL TOLERANCES  
 .XXX ± 0.005 [0.13 mm]  
 .XX ± 0.01 [0.25 mm]  
 .X ± 0.1 [0.50 mm]

ANGLE TOLERANCE  
 .X ± 1 DEG.

TYCO ELECTRONICS RESERVES THE RIGHT TO AMEND THIS DRAWING AT ANY TIME. USERS SHOULD EVALUATE THE SUITABILITY OF THE PRODUCT FOR THEIR APPLICATION.

DRAWN  
G.Rositano  
10/30/10

APPROVED  
D.Hurrell  
11/XX/10



**Tyco Electronics**

Raychem Molded Parts  
300 Constitution Drive  
Menlo Park, CA 94025

RPN

TITLE

BOOT, STRAIGHT, with LIP

CAD FILE:  
202D142-XX-35\_CD\_A

THIRD ANGLE PROJECTION



SIZE  
B

CODE IDENT. NO.  
06090

DWG. NO.  
202D142-XX-35

© 2010 Tyco Electronics Corporation. All rights reserved.

DO NOT SCALE THIS DRAWING

SHEET 1 OF 1