



Chipsmall Limited consists of a professional team with an average of over 10 year of expertise in the distribution of electronic components. Based in Hongkong, we have already established firm and mutual-benefit business relationships with customers from,Europe,America and south Asia,supplying obsolete and hard-to-find components to meet their specific needs.

With the principle of “Quality Parts,Customers Priority,Honest Operation,and Considerate Service”,our business mainly focus on the distribution of electronic components. Line cards we deal with include Microchip,ALPS,ROHM,Xilinx,Pulse,ON,Everlight and Freescale. Main products comprise IC,Modules,Potentiometer,IC Socket,Relay,Connector.Our parts cover such applications as commercial,industrial, and automotives areas.

We are looking forward to setting up business relationship with you and hope to provide you with the best service and solution. Let us make a better world for our industry!



Contact us

Tel: +86-755-8981 8866 Fax: +86-755-8427 6832

Email & Skype: info@chipsmall.com Web: www.chipsmall.com

Address: A1208, Overseas Decoration Building, #122 Zhenhua RD., Futian, Shenzhen, China



REVISIONS
AJ 29118
REDRAWN.
REVISED TRIP TIME IN TABLE 1, SHEET 1.
AK 31784
ON SHEET 5.
REVISED NOTE D RC TB 9-2-97
AL 32515
ON SHEET 2, REVISED V-A NOTE ON TABLE. RC EC 8-12-98
AM 33939
ADDED LINKAGE NOTE 13 ON SHEET 1 BH.CW.6/3/99
AN 33682
REVISED NOTE *D* ON SHEET 5. RGS.EC.10/24/00
AP 41527
SUPPLEMENTARY PROTECTOR WAS *CIRCUIT BREAKER* OR *BREAKER* IN ENTIRE AM-SPEC PAY.CH.5/13/05

- THIS SPECIFICATION COVERS AIRPAX TYPE 203 MAGNETIC SUPPLEMENTARY PROTECTORS WITH INVERSE TIME DELAY, TRIP FREE AND ILLUMINATED HANDLE FEATURES.
- DELAY TIME; SEE TABLE 1.
- RESISTANCE AND IMPEDANCE: SEE TABLE 2, SHEET 2.
- ELECTRICAL CHARACTERISTICS: CURRENT RATINGS FROM 20 MILLIAMPERES TO 20 AMPERES AT 32 VDC, 120 VAC 50/60 Hz AND 400 Hz FROM 20 MILLIAMPERES TO 10 AMPERES 50 VDC, 250 VAC 50/60 Hz AND 400 Hz. RELAY UNITS 5.0 AMPERE COIL RATING MAX.
- SHORT CIRCUIT RUPTURE CAPACITY:

AMPS	VOLTAGE	Hz	SHORT CIRCUIT	SERIES FUSE
.020 - 10	250V MAX.	50/60 Hz	2000A	40 MAX.
11 - 20	120V MAX.	50/60 Hz	2000A	80 MAX.
.050 - 10	50V MAX.	DC	1000A	NONE
.050 - 20	32V MAX.	DC	1000A	NONE
.020 - 10	250V MAX.	400 Hz	2000A	NONE
11 - 20	120V MAX.	400 Hz	2000A	NONE

- HIGH-LOW TEMPERATURE OPERATION: OPERATE NORMALLY IN RANGE FROM -40°C TO +85°C.
- DIELECTRIC STRENGTH: WITHSTANDS 1500 VOLTS 60 Hz FOR 60 SECONDS BETWEEN ALL ELECTRICALLY ISOLATED TERMINALS, EXCEPT AUXILIARY SWITCH TERMINALS SHALL WITHSTAND 600 VOLTS 60 Hz.
- INSULATION RESISTANCE: SHALL NOT BE LESS THAN 100 MEGOHMS AT 500 VOLTS DC.
- ENDURANCE: OPERATING LIFE EXCEEDS 10,000 OPERATIONS WHEN OPERATED AS A SWITCH AT A RATE NOT TO EXCEED 6 OPERATIONS PER MINUTE (6,000 AT FULL RATED CURRENT, 4,000 WITHOUT POWER).
- PULSE TOLERANCE: WITHSTANDS WITHOUT TRIPPING A SINGLE PULSE OF 8 MILLISECONDS DURATION, HALF SINE WAVE CONFIGURATION AND A PEAK AMPLITUDE AS DESCRIBED BELOW.

DELAY	PEAK AMPLITUDE	DELAY	PEAK AMPLITUDE
61, 62, 63, 71, 72	4 X RATED CURRENT	64, 65, 66	10 X RATED CURRENT
61F, 62F, 63F, 71F, 72F	6.5 X RATED CURRENT	64F, 65F, 66F	13 X RATED CURRENT

- SHOCK: WITHSTANDS SHOCKS OF 100G OR MORE WITHOUT TRIPPING WHILE CARRYING FULL RATED CURRENT PER MIL-STD 202, METHOD 213, TEST CONDITION 1. SUPPLEMENTARY PROTECTORS HAVING DELAY 1 ARE TESTED AT 90% OF RATED CURRENT IN PLANE 4 (HANDLE DOWN). INSTANTANEOUS TYPES (DELAY 0 AND 9) ARE TESTED AT 80% OF RATED CURRENT IN ALL PLANES.
- VIBRATION: TESTS ARE PERFORMED IN ACCORDANCE WITH MIL-STD 202, METHOD 204, TEST CONDITION A. TIME DELAY SUPPLEMENTARY PROTECTORS WITHSTAND 10G WITHOUT TRIPPING WHILE CARRYING FULL RATED CURRENT. INSTANTANEOUS TYPES (DELAY 0 AND 9) ARE TESTED AT 80% OF RATED CURRENT.
- ANY LINKAGE USED TO ACTUATE A SUPPLEMENTARY PROTECTOR MUST ACCOMODATE FULL, UNRESTRICTED HANDLE TRAVEL AT BOTH HANDLE EXTREMES (ON-OFF, OFF-ON). IF NOT, OVERLOAD PROTECTION COULD BE COMPROMISED.

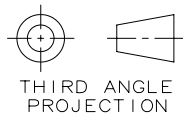
TABLE 1

MINIMUM TRIP POINTS AND % OF RATED CURRENT VS. TRIP TIME IN SECONDS						
DELAY	100%	125% *	200%	400%	600%	800%
40-50-60	NO TRIP					
49-59-69	1 HOUR	.100 MAX.	.050 MAX.	.020 MAX.	.015 MAX.	.015 MAX.
41-51-61	NO TRIP					
71	1 HOUR	.2 - 7.0	.05 - .95	.01 - .240	.008-.130	.003-.060
42-52-62	NO TRIP					
72	1 HOUR	3.0 - 60.0	.5 - 9.0	.01 - 1.75	.008-.600	.003-.100
43-53-63	NO TRIP					
	1 HOUR	25 - 450	3.0 - 30.0	.2 - 4.0	.013 - .3	.008-.080
64	NO TRIP					
	1 HOUR	.9 - 10.0	.2 - 1.7	.04 - .5	.019 - .15	.008-.100
65	NO TRIP					
	1 HOUR	9.0 - 60.0	1.15 - 7.0	.11 - 1.0	.018 - .5	.008-.190
66	NO TRIP					
	1 HOUR	30 - 130	4.0 - 18.0	.6 - 4.0	.02 - 1.5	.008-.300

* 150% FOR DELAYS 40, 50, 60
135% FOR DELAYS 41, 42, 43, 49, 71, 72, 79

NOTE: WHEN MEASURING TRIP TIMES, THE SUPPLEMENTARY PROTECTORS SHOULD NOT BE ENERGIZED PRIOR TO APPLYING THE OVERLOAD CURRENT, TRIP TIMES ARE SPECIFIED WITH THE SUPPLEMENTARY PROTECTOR MOUNTED IN THE NORMAL VERTICAL POSITION AT AN AMBIENT TEMPERATURE OF 25°C.

AIRPAX
www.airpax.net



TOLERANCE UNLESS NOTED
INCH ± .015
MM ± .38
ANGLES ± 5°

TYPE 203 SUPPLEMENTARY PROTECTOR SPEC.

POWER PROTECTION PRODUCTS	CAMBRIDGE, MD USA
DRAWN J.G.	APPROVED R.C.
CHECKED R.C.	DATE 9-23-70

INTERPRET DRAWING PER ANSI Y14.5M-1982

INCH [MM]
SCALE

MATERIAL	FINISH
----------	--------

AM-328 SHEET 1 OF 10 REVISION AP

A	B	C	D	E	F	G	H	J	K	L	M	N	P	R	S	U	V	Mx	T
---	---	---	---	---	---	---	---	---	---	---	---	---	---	---	---	---	---	----	---

REVISIONS	
AJ	29118
AK	31784
AL	32515
AM	33939
AN	33682
AP	41527

Property of
Sensata Technologies


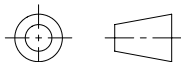
TABLE 2

CURRENT RATING (AMPS)	DC RESISTANCE		60 Hz IMPEDANCE		400 Hz IMPEDANCE
	DELAYS 51, 52, 53, 71, 72	DELAYS 40, 50, 60	DELAYS 71, 72, 61, 62, 63, 69	DELAYS 64, 65, 66	DELAYS 71, 72, 41, 42, 43, 44
	.02	2700.00	675.00	2800.00	2550.00
.05	470.00	105.00	480.00	440.00	650.00
.50	4.30	1.00	4.40	4.50	5.30
1.00	1.15	.230	1.17	1.10	1.40
2.00	.298	.060	.310	.270	.360
3.00	.130	.033	.130	.104	.150
4.00	.081	.016	.081	.077	.092
5.00	.052	.012	.052	.050	.062
6.00	.034	.010	.034	.032	.040
7.00	.0275	.007	.0275	.026	.032
8.00	.020	.005	.020	.018	.023
9.00	.017	.004	.017	.014	.021
10.00	.016	.0038	.017	.012	.019
12.00	.008	.0034	.008	.009	.011
15.00	.006	.002	.006	.006	.008
20.00	.005	.002	.005	.005	.007

DCR AND IMPEDANCE VALUES ARE BASED ON MEASUREMENTS BY THE VOLTMETER AMMETER METHOD, RATED CURRENT APPLIED FOR ONE HOUR AND AT A VOLTAGE NOT LESS THAN 20 VOLTS.

TOLERANCE ±25%

CONSULT FACTORY FOR VALUES NOT SHOWN

 www.airpax.net POWER PROTECTION PRODUCTS CAMBRIDGE, MD USA			 THIRD ANGLE PROJECTION INTERPRET DRAWING PER ANSI Y14.5M-1982		TOLERANCE UNLESS NOTED INCH ±.015 MM ±.38 ANGLES ±5°		TYPE 203 SUPPLEMENTARY PROTECTOR SPEC.		
DRAWN J.G.		APPROVED R.C.		MATERIAL		FINISH			
CHECKED R.C.		DATE 9-23-70		SCALE		AM-328			
		INCH [MM]				SHEET 2 OF 10		REVISION AP	

A B C D E F G H J K L M N P R S U V Mx T

REVISIONS	
AJ	29118
AK	31784
AL	32515
AM	33939
AN	33682
AP	41527

FIRST DECISION	
TYPE	
203	ROCKER HANDLE
293	UL/CSA CONSTRUCTION
293	ROCKER HANDLE
293	NON UL/CSA CONSTRUCTION

THIRD DECISION	
CONSTRUCTION	
-1	SERIES
-2	AUXILIARY SWITCH (NOTE B)
-3	SHUNT
-4	RELAY (5 AMP. MAX. COIL RATING)
-5	SWITCH ONLY (NOTE G)
-6	CENTER TAP

FIFTH DECISION (NOTES 4 & 15)			
CURRENT			
CODE	AMPERES	CODE	AMPERES
-021	.020	-252	2.500
-051	.050	-502	5.000
-101	.100	-752	7.500
-251	.250	-103	10.000
-501	.500	-153	15.000
-751	.750	-203	20.000
-102	1.000		
-0	SWITCH ONLY		

203-222-4-61-102-4-1-1

SECOND DECISION	
POLES	
-1	SINGLE POLE
-11	TWO POLE
-111	THREE POLE
-2	SINGLE POLE ILLUMINATED HANDLE
-22	TWO POLE ILLUMINATED HANDLE
-222	THREE POLE ILLUMINATED HANDLE

FOURTH DECISION (NOTE 15)	
HERTZ AND DELAY	
-0	SWITCH ONLY (NOTE G)
-40	400 Hz 0 DELAY (150% TRIP)
-41	400 Hz SHORT DELAY
-42	400 Hz LONG DELAY
-43	400 Hz MOTOR START DELAY
-49	400 Hz 0 DELAY (125% TRIP)
-50	DC 0 DELAY (150% TRIP)
-51	DC SHORT DELAY
-52	DC LONG DELAY
-53	DC MOTOR START DELAY
-59	DC 0 DELAY (125% TRIP)
-60	50/60 Hz 0 DELAY (150% TRIP)
-61	50/60 Hz SHORT DELAY
-62	50/60 Hz LONG DELAY
-63	50/60 Hz MOTOR START DELAY
-64	50/60 Hz HIGH PULSE TOLERANT SHORT DELAY
-65	50/60 Hz HIGH PULSE TOLERANT LONG DELAY
-66	50/60 Hz HIGH PULSE TOLERANT MOTOR START DELAY
-69	50/60 Hz 0 DELAY (125% TRIP)
-71	MULTI-FREQUENCY SHORT DELAY
-72	MULTI-FREQUENCY LONG DELAY

EIGHTH DECISION	
ILLUMINATED HANDLE (SEE SHEET 4)	

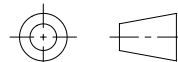
SEVENTH DECISION	
BODY COLOR (SEE SHEET 4)	

SIXTH DECISION	
HANDLE COLOR (SEE SHEET 4)	

- NOTES
1. FOR OPTIONAL FLUSH MOUNTING HARDWARE ADD THE LETTER "A" AFTER THE LAST DECISION.
 2. SEE SHEET 5 FOR REFERENCE NOTES.
 3. AN "F" AFTER DELAY DENOTES INERTIA DELAY ADDED TO SPECIFIED TIME DELAY.

AIRPAX
www.airpax.net

POWER PROTECTION PRODUCTS CAMBRIDGE, MD USA



THIRD ANGLE PROJECTION

TOLERANCE UNLESS NOTED

INCH ±.015

MM ±.38

ANGLES ±5°

TYPE 203 SUPPLEMENTARY PROTECTOR SPEC.

MATERIAL

FINISH

DRAWN J.G. APPROVED R.C.

CHECKED R.C. DATE 9-23-70

INTERPRET DRAWING PER ANSI Y14.5M-1982

INCH [MM]

SCALE

AM-328

SHEET 3 OF 10

REVISION AP

A B C D E F G H J K L M N P R S U V Mx T

REVISIONS	
AJ	29118
AK	31784
AL	32515
AM	33939
AN	33682
AP	41527

Sensata Technologies

SIXTH DECISION HANDLE COLOR		
CODE	HANDLE COLOR	MARKINGS
1	WHITE - NON ILLUMINATED	FIG. 1
2	BLACK - NON ILLUMINATED	
3	RED - NON ILLUMINATED	
4	WHITE - TRANSLUCENT, INCANDESCENT OR NEON ILLUMINATED	
5	WHITE - LED ILLUMINATED	
6	BLACK - LED ILLUMINATED	
7	RED - LED ILLUMINATED	
A	WHITE - TRANSLUCENT, INCANDESCENT OR NEON ILLUMINATED	FIG. 4
B		FIG. 2
C		FIG. 5
D		UNMARKED
E		FIG. 3
F		FIG. 6
G		FIG. 4
H	WHITE	FIG. 2
J		FIG. 5
K		UNMARKED
L		FIG. 3
M		FIG. 6
N		FIG. 4
P		FIG. 2
Q	BLACK	FIG. 5
R		UNMARKED
S		FIG. 3
T		FIG. 6
U		FIG. 4
V		FIG. 2
W		RED
X	UNMARKED	
Y	FIG. 3	
Z	FIG. 6	

DECISIONS G - Z WILL BE NON ILLUMINATED UNLESS TABLE 8 IS COMPLETED BY CUSTOMER.

SEVENTH DECISION BODY COLOR	
1	BLACK
2	WHITE
3	GREY

EIGHTH DECISION ILLUMINATED HANDLE	
1	NEON - 120 OR 250 VAC (NOTE C)
2	INCANDESCENT 3 - 5 VAC - DC WHITE
3	INCANDESCENT 6 - 11 VAC - DC WHITE
4	LED (NOTE D) RED
5	LED 4 - 8 VDC (NOTE E) RED
6	LED 8 - 16 VDC (NOTE E) RED
7	LED 16 - 24 VDC (NOTE E) RED
8	LED 24 - 32 VDC (NOTE E) RED
9	LED 6.3 VAC (NOTE E) RED
10	LED 12.6 VAC (NOTE E) RED
13	NEON - 120 OR 250 VAC GREEN GLOW (NOTE C)
14	LED (NOTE D) GREEN
15	LED 4 - 8 VDC (NOTE E) GREEN
16	LED 8 - 16 VDC (NOTE E) GREEN
17	LED 16 - 24 VDC (NOTE E) GREEN
18	LED 24 - 32 VDC (NOTE E) GREEN
19	LED 6.3 VAC (NOTE E) GREEN
20	LED 12.6 VAC (NOTE E) GREEN
21	INCANDESCENT 3 - 5 VAC - DC RED
22	INCANDESCENT 3 - 5 VAC - DC AMBER
23	INCANDESCENT 3 - 5 VAC - DC GREEN
24	INCANDESCENT 3 - 5 VAC - DC BLUE
25	INCANDESCENT 3 - 5 VAC - DC YELLOW
31	INCANDESCENT 6 - 11 VAC - DC RED
32	INCANDESCENT 6 - 11 VAC - DC AMBER
33	INCANDESCENT 6 - 11 VAC - DC GREEN
34	INCANDESCENT 6 - 11 VAC - DC BLUE
35	INCANDESCENT 6 - 11 VAC - DC YELLOW

SEE NOTE F FOR ALL INCANDESCENT NUMBERS.

SEE SHEET 5 FOR REFERENCE NOTES.

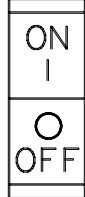
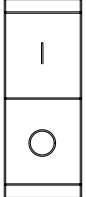
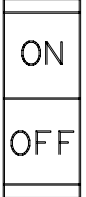


FIG. 1 FIG. 2 FIG. 3



FIG. 4



FIG. 5



FIG. 6

HANDLE MARKINGS

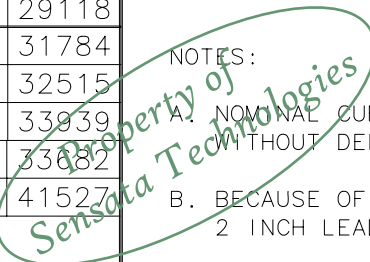
 www.airpax.net		 THIRD ANGLE PROJECTION		TOLERANCE UNLESS NOTED INCH ±.015 MM ±.38 ANGLES ±5°		TYPE 203 SUPPLEMENTARY PROTECTOR SPEC.			
POWER PROTECTION PRODUCTS CAMBRIDGE, MD USA						MATERIAL		FINISH	
DRAWN J.G. APPROVED R.C.		INTERPRET DRAWING PER ANSI Y14.5M-1982							
CHECKED R.C. DATE 9-23-70		INCH [MM]		SCALE		AM-328		SHEET 4 OF 10	
								REVISION AP	

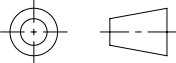
A	B	C	D	E	F	G	H	J	K	L	M	N	P	R	S	U	V	Mx	T
---	---	---	---	---	---	---	---	---	---	---	---	---	---	---	---	---	---	----	---

REVISIONS	
AJ	29118
AK	31784
AL	32515
AM	33039
AN	33082
AP	41527

NOTES:

- A. NOMINAL CURRENT VALUES FOR 100% OF RATED CURRENT ARE THOSE LISTED. OTHER VALUES CAN BE SUPPLIED, IN GENERAL, WITHOUT DELAYED DELIVERY.
- B. BECAUSE OF SPACE LIMITATIONS, A SINGLE POLE AUXILIARY SWITCH ILLUMINATED HANDLE (203-2-2) IS PROVIDED WITH 2 INCH LEADS FOR LAMP CONNECTIONS. THESE LEADS EXIT THE CASE ON THE BOTTOM ADJACENT TO THE AUXILIARY SWITCH.
- C. A NEON BULB IS PROVIDED WHEN SPECIFIED FOR 120VAC AND 250VAC OPERATION. FOR OPERATIONS AT AT 120VAC A 33,000 OHM, 1/2 WATT EXTERNAL RESISTOR IS REQUIRED. AT 250VAC, A 100,000 OHM, 1 WATT EXTERNAL RESISTOR IS REQUIRED.
- D. AN EXTERNAL DROPPING RESISTOR IS REQUIRED TO LIMIT THE POWER DISSIPATION IN THE LED. THE MAXIMUM POWER DISSIPATION IS 135 mW (RED)(GREEN) AT 25 DEGREE C. FOR OPERATION AT AMBIENT TEMPERATURES ABOVE 25 DEGREE C DERATE THE MAXIMUM POWER DISSIPATION BY 5 mW/10°C.
- E. THE LED DESCRIBED IN NOTE D IS PROVIDED TOGETHER WITH THE NECESSARY CURRENT LIMITING RESISTOR, MOUNTED INTERNALLY TO PERMIT OPERATION AT THE VOLTAGE SHOWN. IF OPERATING VOLTAGES OTHER THAN THOSE SHOWN ARE DESIRED, CONSULT FACTORY.
- F. LONG-LIFE, T-1 SIZE SUBMINIATURE INCANDESCENT LAMPS ARE PROVIDED FOR VOLTAGE RANGES SHOWN. IF OTHER VOLTAGES ARE REQUIRED, CONSULT FACTORY. LAMP FILTERS TO PROVIDE COLOR ARE AVAILABLE IN RED, AMBER, GREEN, BLUE, AND YELLOW. PLEASE STATE COLOR DESIRED. UNLESS NOTED, A CLEAR (NO FILTER) LAMP WILL BE SUPPLIED, THEREBY, PROVIDING A WHITE HANDLE GLOW.
- G. WHEN SWITCH ONLY IS SPECIFIED, USE "0" FOR 4th AND 5th DECISION FACTORS.
- H. CHEMICAL RESISTANCE: PLASTIC HANDLE AND CASE MAY BE CLEANED WITH DETERGENTS OR ALCOHOLS. ORGANIC SOLVENTS ARE NOT RECOMMENDED, AS THEY ATTACK PLASTICS. CLEANING SOLUTIONS SHOULD BE EXPOSED TO OUTSIDE SURFACES ONLY.

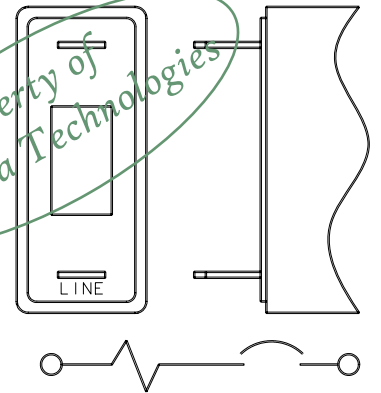


AIRPAX www.airpax.net		 THIRD ANGLE PROJECTION	TOLERANCE UNLESS NOTED INCH ± .015 MM ± .38 ANGLES ± 5°	TYPE 203 SUPPLEMENTARY PROTECTOR SPEC.	
POWER PROTECTION PRODUCTS CAMBRIDGE, MD USA		INTERPRET DRAWING PER ANSI Y14.5M-1982	SCALE	MATERIAL	FINISH
DRAWN J.G.	APPROVED R.C.			AM-328	
CHECKED R.C.	DATE 9-23-70				REVISION AP

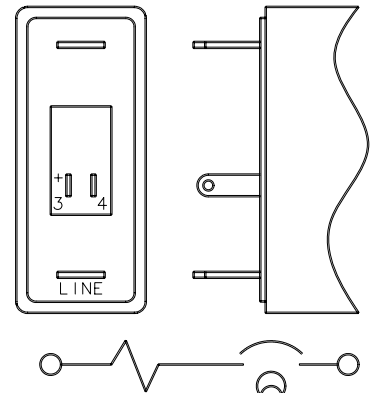
A	B	C	D	E	F	G	H	J	K	L	M	N	P	R	S	U	V	Mx	T
---	---	---	---	---	---	---	---	---	---	---	---	---	---	---	---	---	---	----	---

REVISIONS	
AJ	29118
AK	31784
AL	32515
AM	33939
AN	33682
AP	41527

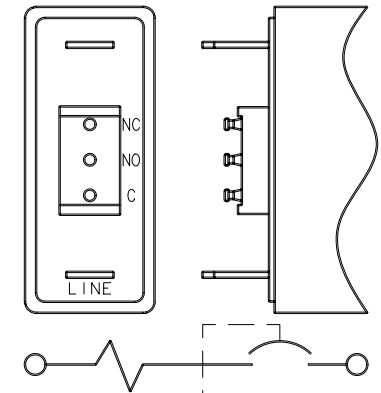
Property of
Sensata Technologies



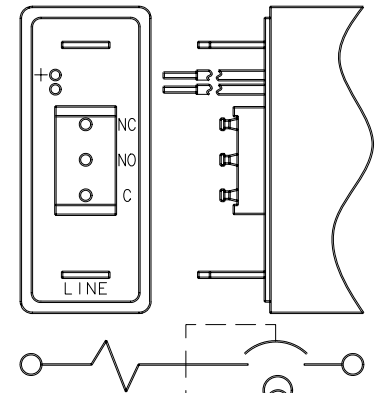
SERIES
203-1-1



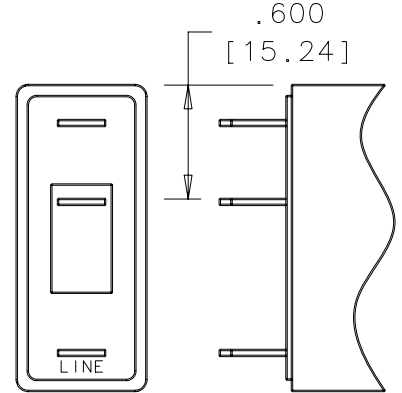
SERIES WITH
ILLUMINATED HANDLE
203-2-1



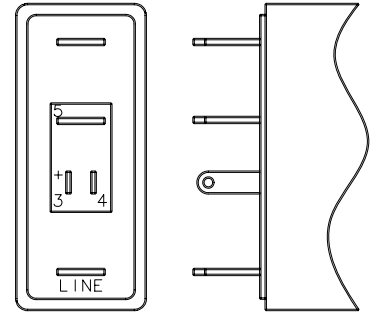
SERIES WITH
AUXILIARY SWITCH
203-1-2



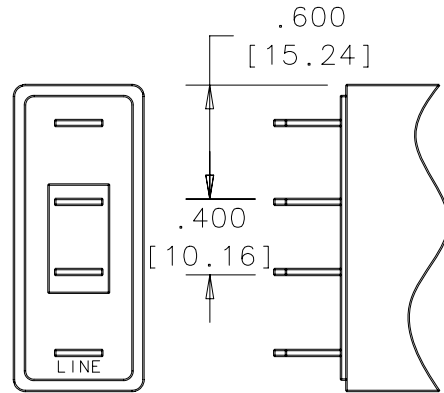
SERIES WITH AUX. SWITCH
AND ILLUMINATED HANDLE
203-2-2



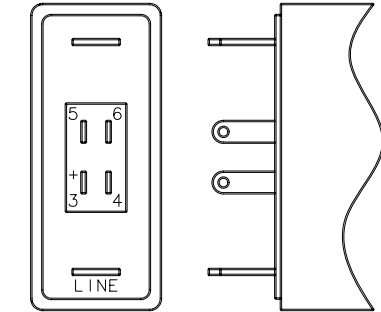
SHUNT
203-1-3



SHUNT WITH
ILLUMINATED HANDLE
203-2-3



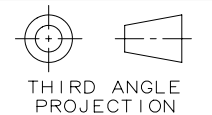
RELAY
203-1-4



RELAY WITH
ILLUMINATED HANDLE
203-2-4

AIRPAX
www.airpax.net

POWER PROTECTION PRODUCTS CAMBRIDGE, MD USA



TOLERANCE
UNLESS NOTED

INCH	± .015
MM	± .38
ANGLES	± 5°

TYPE 203 SUPPLEMENTARY PROTECTOR SPEC.

DRAWN	J.G.	APPROVED	R.C.
CHECKED	R.C.	DATE	9-23-70

INTERPRET DRAWING PER
ANSI Y14.5M-1982

INCH [MM]	SCALE
--------------	-------

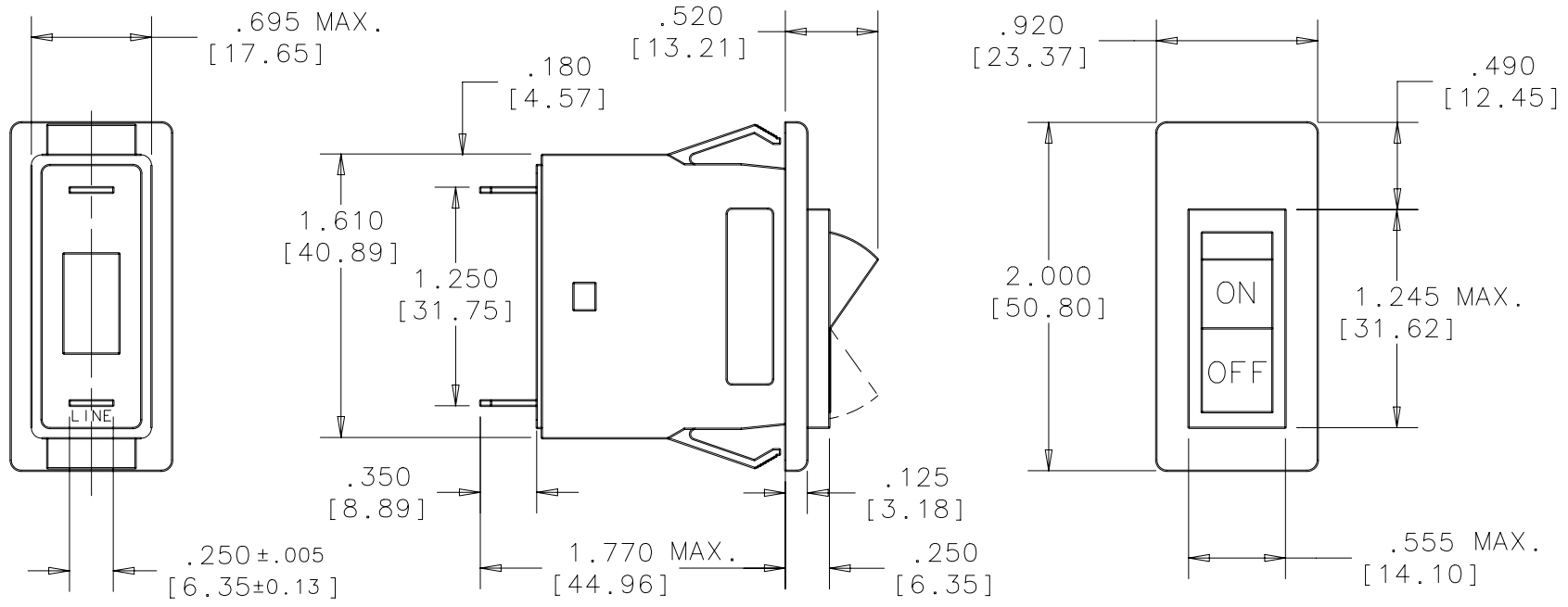
MATERIAL	FINISH
----------	--------

AM-328	SHEET 6 OF 10	REVISION AP
--------	---------------	----------------

A B C D E F G H J K L M N P R S U V Mx T

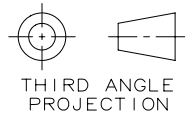
REVISIONS	
AJ	29118
AK	31784
AL	32515
AM	33939
AN	33882
AP	41527

Property of
Sensata Technologies



AIRPAX
www.airpax.net

POWER PROTECTION PRODUCTS CAMBRIDGE, MD USA



TOLERANCE UNLESS NOTED
INCH ± .015
MM ± .38
ANGLES ± 5°

TYPE 203 SUPPLEMENTARY PROTECTOR SPEC.

DRAWN J.G. APPROVED R.C.
CHECKED R.C. DATE 9/23/70

INTERPRET DRAWING PER ANSI Y14.5M-1982

MATERIAL FINISH

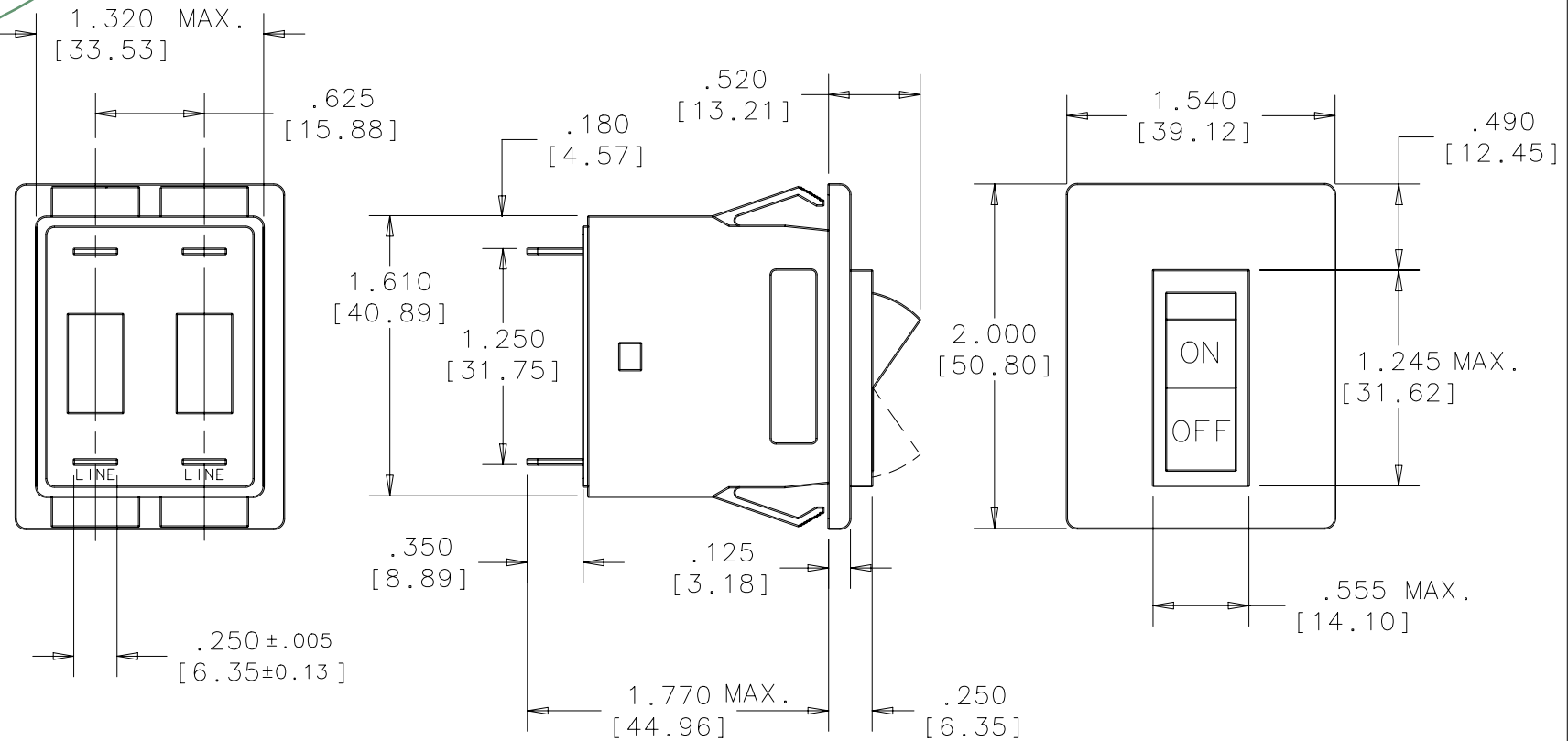
INCH [MM] SCALE

AM-328 SHEET 7 OF 10 REVISION AP

A	B	C	D	E	F	G	H	J	K	L	M	N	P	R	S	U	V	Mx	T
---	---	---	---	---	---	---	---	---	---	---	---	---	---	---	---	---	---	----	---

REVISIONS	
AJ	29118
AK	31784
AL	32515
AM	33939
AN	33882
AP	41527

Property of
Sensata Technologies

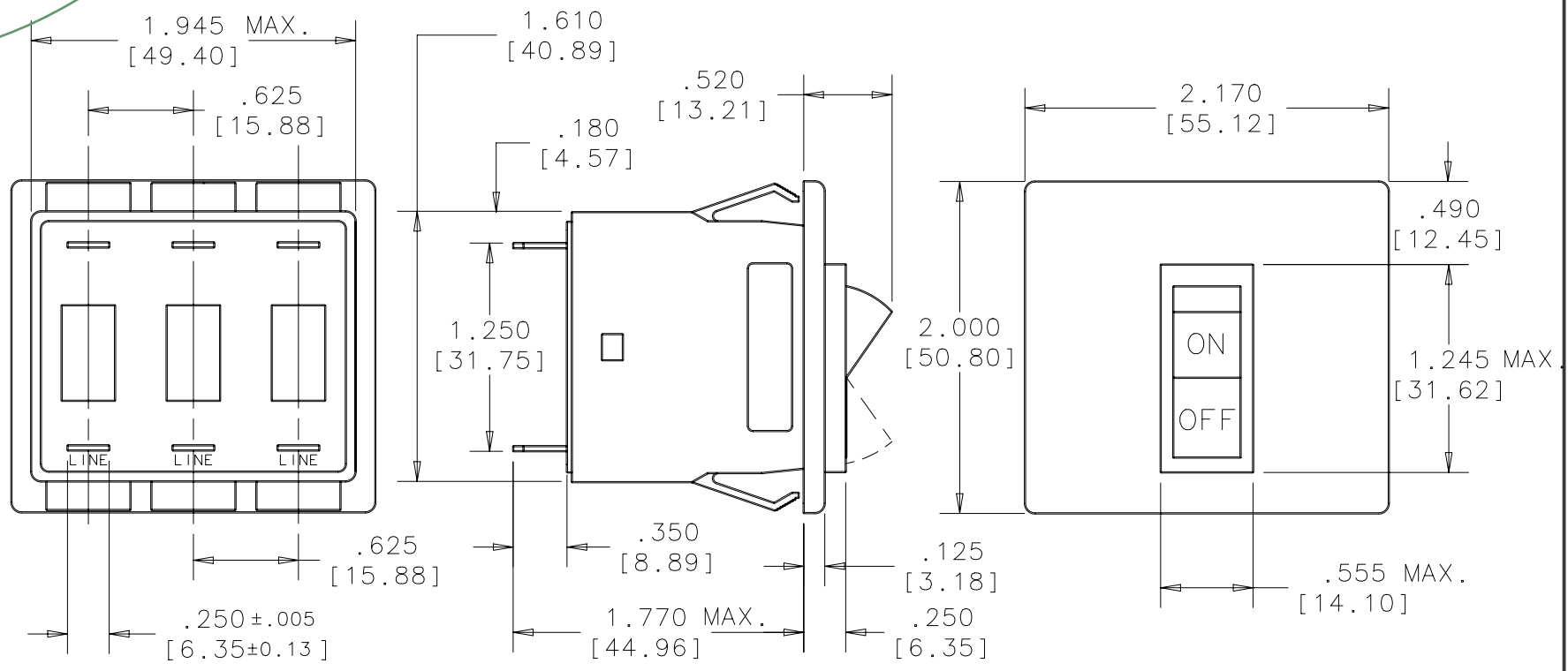


 AIRPAX www.airpax.net POWER PROTECTION PRODUCTS CAMBRIDGE, MD USA			 THIRD ANGLE PROJECTION		TOLERANCE UNLESS NOTED INCH ± .015 MM ± .38 ANGLES ± 5°		TYPE 203 SUPPLEMENTARY PROTECTOR SPEC.						
							MATERIAL		FINISH				
DRAWN J.G.		APPROVED R.C.		INTERPRET DRAWING PER ANSI Y14.5M-1982		SCALE		AM-328		SHEET 8 OF 10		REVISION AP	
CHECKED R.C.		DATE 9-23-70											

A	B	C	D	E	F	G	H	J	K	L	M	N	P	R	S	U	V	Mx	T
---	---	---	---	---	---	---	---	---	---	---	---	---	---	---	---	---	---	----	---

REVISIONS	
AJ	29118
AK	31784
AL	32515
AM	33939
AN	33882
AP	41527

Property of
Sensata Technologies



AIRPAX
www.airpax.net
POWER PROTECTION PRODUCTS CAMBRIDGE, MD USA

DRAWN J.G. APPROVED R.C.
CHECKED R.C. DATE 9-23-70

THIRD ANGLE PROJECTION

INTERPRET DRAWING PER ANSI Y14.5M-1982

TOLERANCE UNLESS NOTED
INCH ± .015
MM ± .38
ANGLES ± 5°

SCALE INCH [MM]

TYPE 203 SUPPLEMENTARY PROTECTOR SPEC.

MATERIAL FINISH

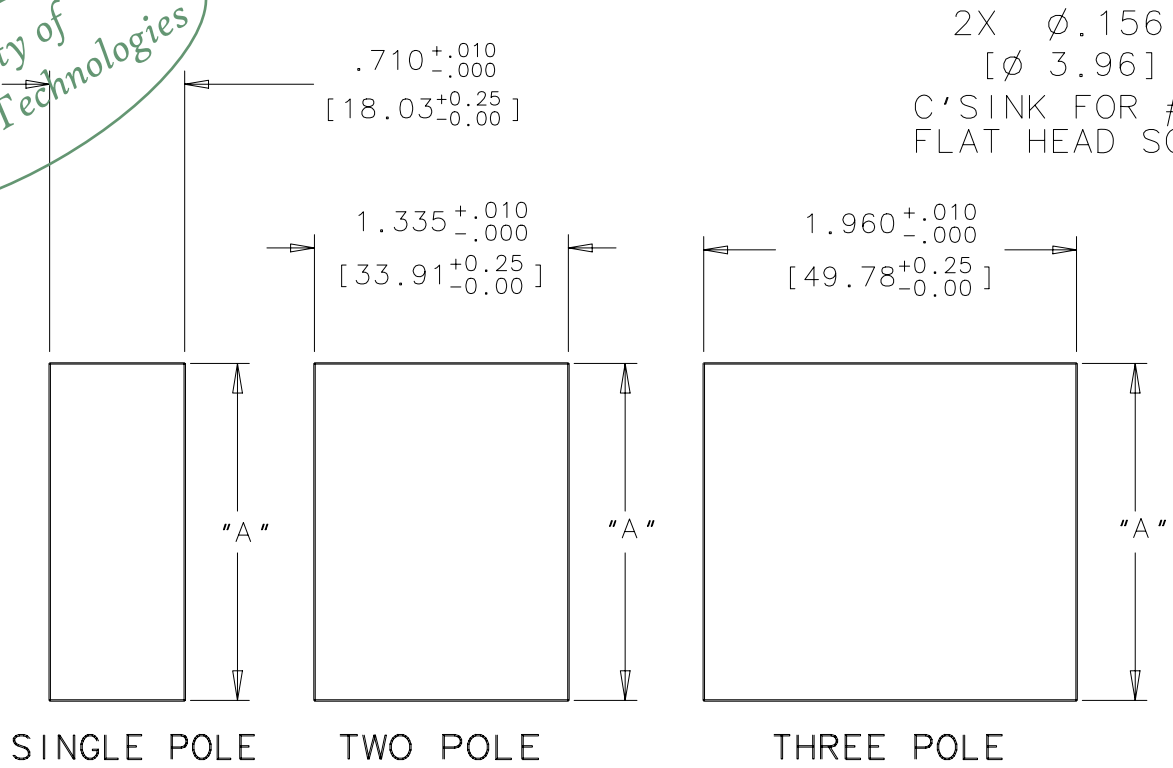
AM-328 SHEET 9 OF 10 REVISION AP

A	B	C	D	E	F	G	H	J	K	L	M	N	P	R	S	U	V	Mx	T
---	---	---	---	---	---	---	---	---	---	---	---	---	---	---	---	---	---	----	---

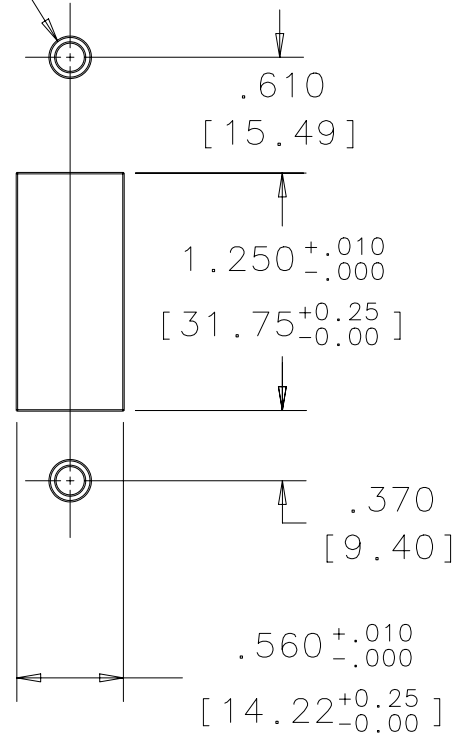
REVISIONS	
AJ	29118
AK	31784
AL	32515
AM	33939
AN	33682
AP	41527

PANEL MOUNTING DETAILS

*Property of
Sensata Technologies*



2X $\phi .156$
[$\phi 3.96$]
C'SINK FOR #6
FLAT HEAD SCREW

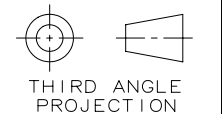


PANEL THICKNESS	.062 [1.57]	.093 [2.36]	.125 [3.18]
DIMENSION "A"	1.775 [45.09]	1.810 [45.97]	1.850 [46.99]

ONE, TWO, & THREE POLE
FOR PANELS .062 [1.57]
TO .125 [3.18] THICK
FLUSH MOUNT
(OPTIONAL)

FRONT SNAP-IN MOUNT (STD)

AIRPAX
www.airpax.net
POWER PROTECTION PRODUCTS CAMBRIDGE, MD USA



TOLERANCE UNLESS NOTED	
INCH	±.015
MM	±.38
ANGLES ±5°	

TYPE 203 SUPPLEMENTARY PROTECTOR SPEC.

DRAWN	J.G.	APPROVED	R.C.
CHECKED	R.C.	DATE	9-23-70

INTERPRET DRAWING PER ANSI Y14.5M-1982	SCALE
INCH [MM]	

MATERIAL	FINISH

A	B	C	D	E	F	G	H	J	K	L	M	N	P	R	S	U	V	Mx	T
---	---	---	---	---	---	---	---	---	---	---	---	---	---	---	---	---	---	----	---

AM-328	SHEET 10 OF 10	REVISION AP
--------	----------------	-------------