



Chipsmall Limited consists of a professional team with an average of over 10 year of expertise in the distribution of electronic components. Based in Hongkong, we have already established firm and mutual-benefit business relationships with customers from,Europe,America and south Asia,supplying obsolete and hard-to-find components to meet their specific needs.

With the principle of "Quality Parts,Customers Priority,Honest Operation,and Considerate Service",our business mainly focus on the distribution of electronic components. Line cards we deal with include Microchip,ALPS,ROHM,Xilinx,Pulse,ON,Everlight and Freescale. Main products comprise IC,Modules,Potentiometer,IC Socket,Relay,Connector.Our parts cover such applications as commercial,industrial, and automotives areas.

We are looking forward to setting up business relationship with you and hope to provide you with the best service and solution. Let us make a better world for our industry!



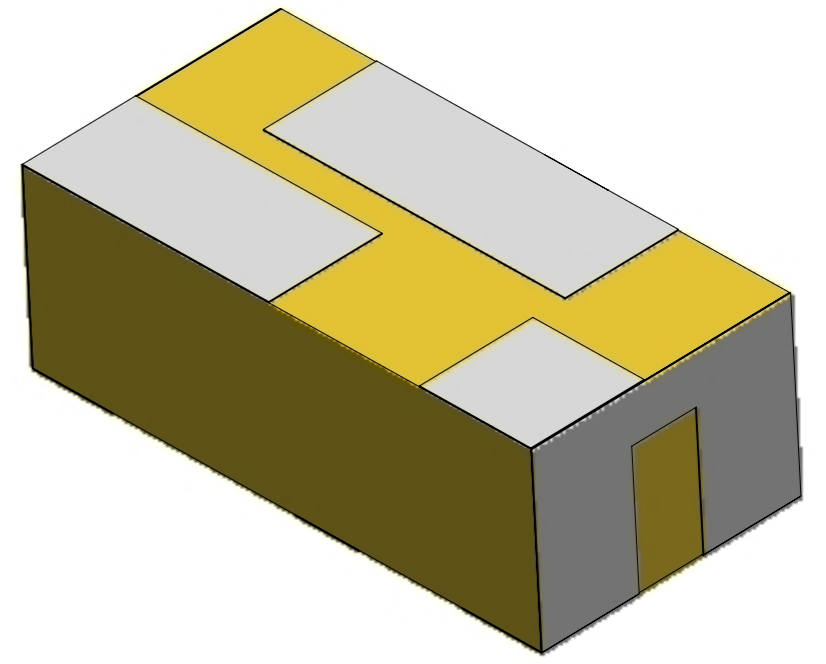
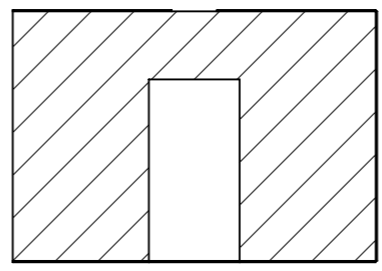
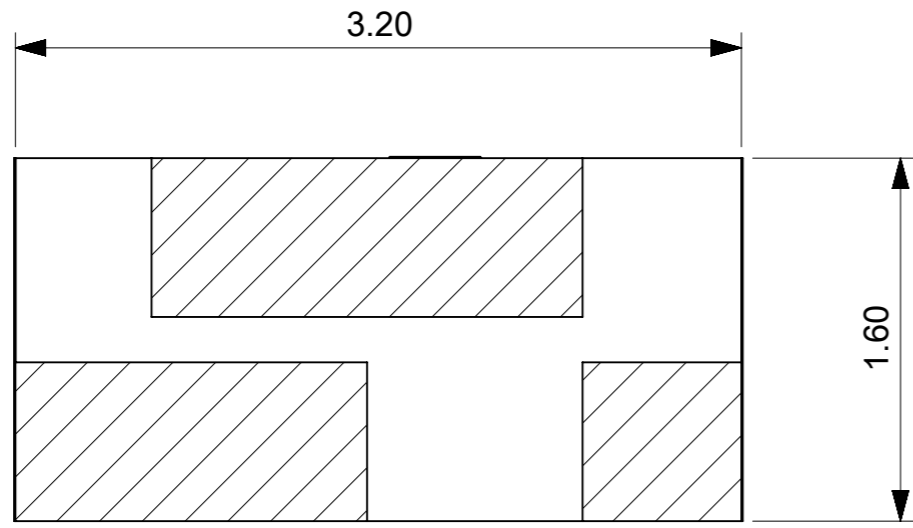
## Contact us

Tel: +86-755-8981 8866 Fax: +86-755-8427 6832

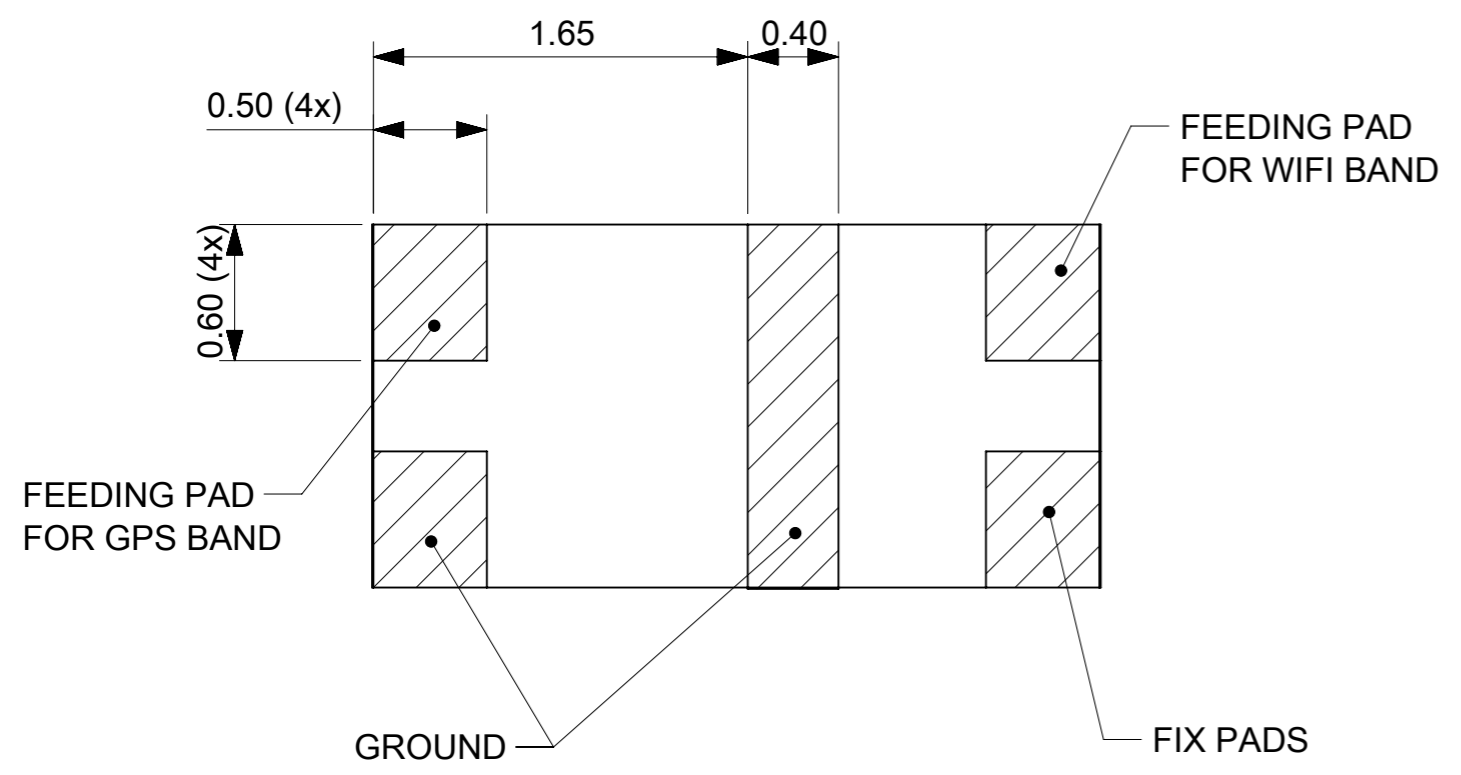
Email & Skype: info@chipsmall.com Web: www.chipsmall.com

Address: A1208, Overseas Decoration Building, #122 Zhenhua RD., Futian, Shenzhen, China





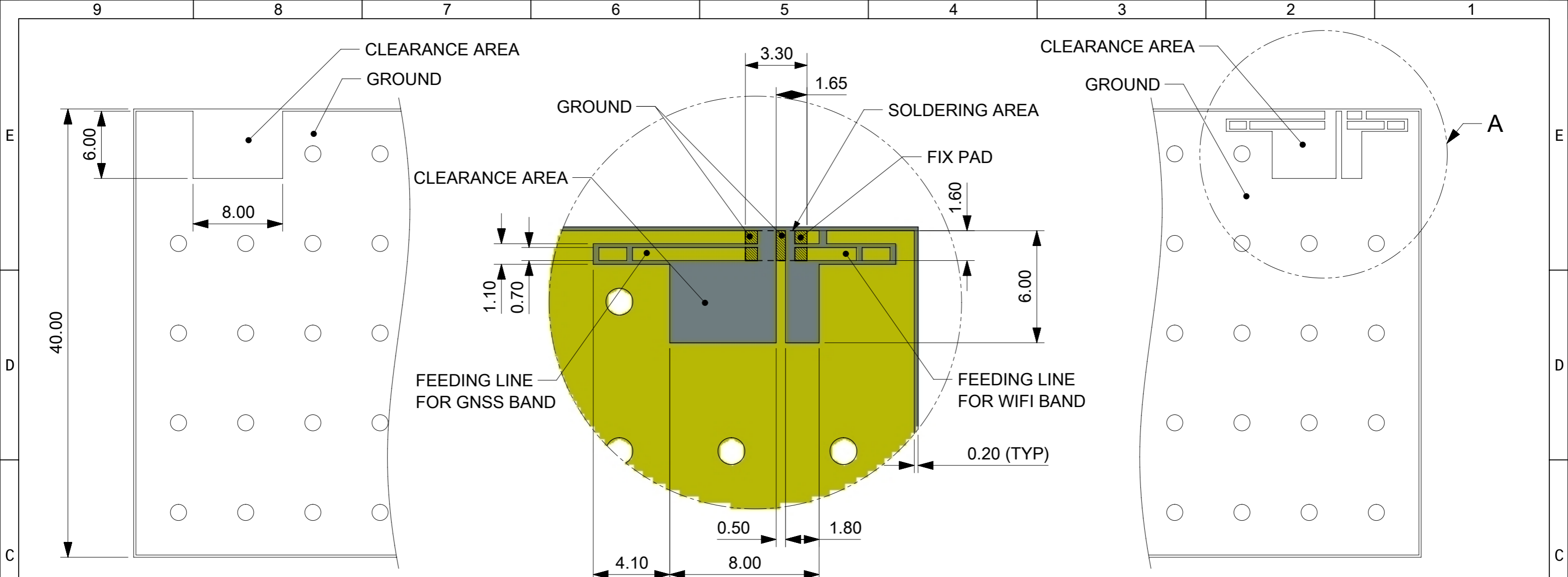
3D VIEW



NOTES:  
 BODY MATERIAL: CERAMIC  
 PATTERN: Ag PLATED THINCKNESS 4-11um  
 APPLICATION SPEC. REFER TO AS OF 2030070001  
 PRODUCT SPEC. REFER TO PS OF 2030070001  
 PAKAGE SPEC. REFER TO PK OF 2030070001

THIS DRAWING CONTAINS INFORMATION THAT IS PROPRIETARY TO MOLEX ELECTRONIC TECHNOLOGIES, LLC AND SHOULD NOT BE USED WITHOUT WRITTEN PERMISSION											
EC NO: 121094 DRWN: CXU11 CHK'D: CXU11 APPR: XJSONG	2017/09/08	GENERAL TOLERANCES (UNLESS SPECIFIED)		DIMENSION UNITS	SCALE						
	2017/09/08	ANGULAR TOL ± 1.0 °		MM	30:1						
	2017/09/12	4 PLACES	±	DRWN BY	DATE	SD FOR GNSS/WIFI COMBO CERAMIC ANTENNA					
		3 PLACES	± 0.05	CXU11	2017/08/28						
		2 PLACES	± 0.1	CHK'D BY	DATE						
	1 PLACE	± 0.3	ZLRAO	2017/09/06	PRODUCT CUSTOMER DRAWING						
	0 PLACES	± 0.5	APPR BY	DATE	SERIES	MATERIAL NUMBER	CUSTOMER				
			XJSONG	2017/09/06	203007	2030070001					
			DRAFT WHERE APPLICABLE MUST REMAIN WITHIN DIMENSIONS		DRAWING SIZE	THIRD ANGLE PROJECTION	DOCUMENT NUMBER		DOC TYPE	DOC PART	SHEET NUMBER
A1	REV				A3		2030070001	PSD	SD	1 OF 2	

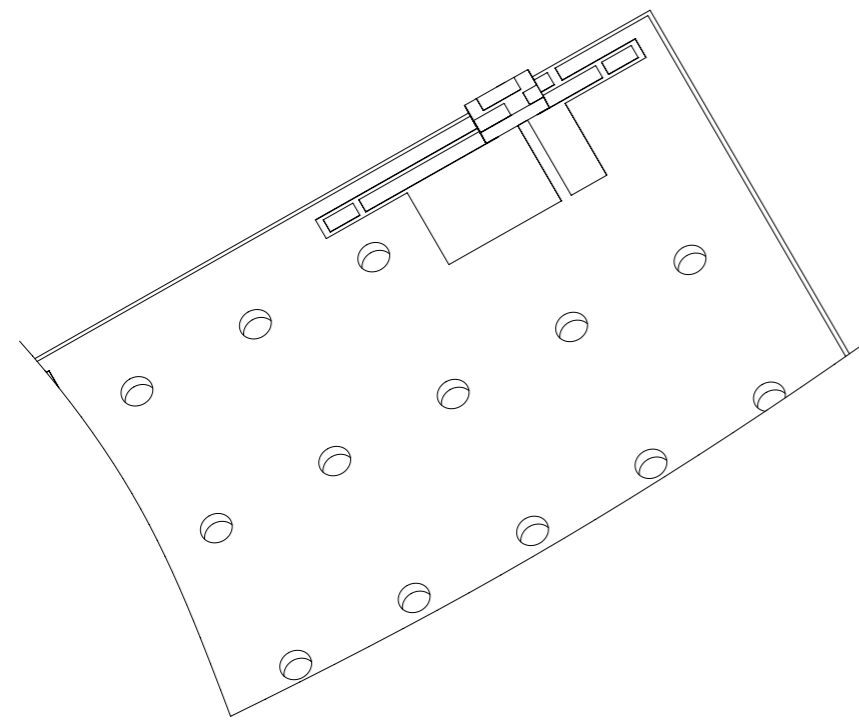




BACK VIEW

DETAIL A  
SCALE 5:1

FRONT VIEW



RECOMMENDED PCB LAYOUT  
 SIZE 80X40X0.8mm  
 GENERAL TOLERANCE OF PCB ±0.05mm

THIS DRAWING CONTAINS INFORMATION THAT IS PROPRIETARY TO MOLEX ELECTRONIC TECHNOLOGIES, LLC AND SHOULD NOT BE USED WITHOUT WRITTEN PERMISSION										
EC NO: 121094 DRWN: CXU11 CHK'D: CXU11 APPR: XJSONG	2017/09/08	GENERAL TOLERANCES (UNLESS SPECIFIED)		DIMENSION UNITS	SCALE					
	2017/09/08	ANGULAR TOL ± 1.0 °		MM	3:1					
	2017/09/12	4 PLACES	±	DRWN BY	DATE	SD FOR GNSS/WIFI COMBO CERAMIC ANTENNA				
		3 PLACES	± 0.05	CXU11	2017/08/28					
		2 PLACES	± 0.1	CHK'D BY	DATE					
	1 PLACE	± 0.3	ZLRAO	2017/09/06	PRODUCT CUSTOMER DRAWING					
	0 PLACES	± 0.5	APPR BY	DATE						
			XJSONG	2017/09/06	SERIES	MATERIAL NUMBER	CUSTOMER			
			DRAFT WHERE APPLICABLE MUST REMAIN WITHIN DIMENSIONS	DRAWING SIZE	THIRD ANGLE PROJECTION	203007	2030070001			
				A3		DOCUMENT NUMBER		DOC TYPE	DOC PART	SHEET NUMBER
						2030070001	PSD	SD	2 OF 2	