



Chipsmall Limited consists of a professional team with an average of over 10 year of expertise in the distribution of electronic components. Based in Hongkong, we have already established firm and mutual-benefit business relationships with customers from,Europe,America and south Asia,supplying obsolete and hard-to-find components to meet their specific needs.

With the principle of “Quality Parts,Customers Priority,Honest Operation,and Considerate Service”,our business mainly focus on the distribution of electronic components. Line cards we deal with include Microchip,ALPS,ROHM,Xilinx,Pulse,ON,Everlight and Freescale. Main products comprise IC,Modules,Potentiometer,IC Socket,Relay,Connector.Our parts cover such applications as commercial,industrial, and automotives areas.

We are looking forward to setting up business relationship with you and hope to provide you with the best service and solution. Let us make a better world for our industry!



Contact us

Tel: +86-755-8981 8866 Fax: +86-755-8427 6832

Email & Skype: info@chipsmall.com Web: www.chipsmall.com


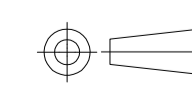
Address: A1208, Overseas Decoration Building, #122 Zhenhua RD., Futian, Shenzhen, China



SEE RESTRICTED DRAWING 2032237-VOL

THIS DRAWING IS UNPUBLISHED. RELEASED FOR PUBLICATION
 © COPYRIGHT - By - ALL RIGHTS RESERVED.

LOC	DIST	REVISIONS			
P	LTR	DESCRIPTION	DATE	DMN	APVD
J		REVISED PER ECO-11-020025	10/OCT/11	ECC	CA

THIS DRAWING IS A CONTROLLED DOCUMENT.		DIN T. SMITH 17OCT2007	 TE Connectivity	
DIMENSIONS: mm		CHK D. LAWRENCE 17OCT2007		
		TOLERANCES UNLESS OTHERWISE SPECIFIED: 0. PLC ± - 1. PLC ± - 2. PLC ± - 3. PLC ± - 4. PLC ± - ANGLES ± -	APVD D. LAWRENCE 17OCT2007 NAME CABLE ASSY, 24 AWG, SFP+ TO SFP+	PRODUCT SPEC - APPLICATION SPEC - SIZE A1
MATERIAL	FINISH	WEIGHT	CAGE CODE 00779	DRAWING NO 2032237
CUSTOMER DRAWING		SCALE	1:1	SHEET 1 OF 1 REV J