



Chipsmall Limited consists of a professional team with an average of over 10 year of expertise in the distribution of electronic components. Based in Hongkong, we have already established firm and mutual-benefit business relationships with customers from,Europe,America and south Asia,supplying obsolete and hard-to-find components to meet their specific needs.

With the principle of “Quality Parts,Customers Priority,Honest Operation,and Considerate Service”,our business mainly focus on the distribution of electronic components. Line cards we deal with include Microchip,ALPS,ROHM,Xilinx,Pulse,ON,Everlight and Freescale. Main products comprise IC,Modules,Potentiometer,IC Socket,Relay,Connector.Our parts cover such applications as commercial,industrial, and automotives areas.

We are looking forward to setting up business relationship with you and hope to provide you with the best service and solution. Let us make a better world for our industry!



Contact us

Tel: +86-755-8981 8866 Fax: +86-755-8427 6832

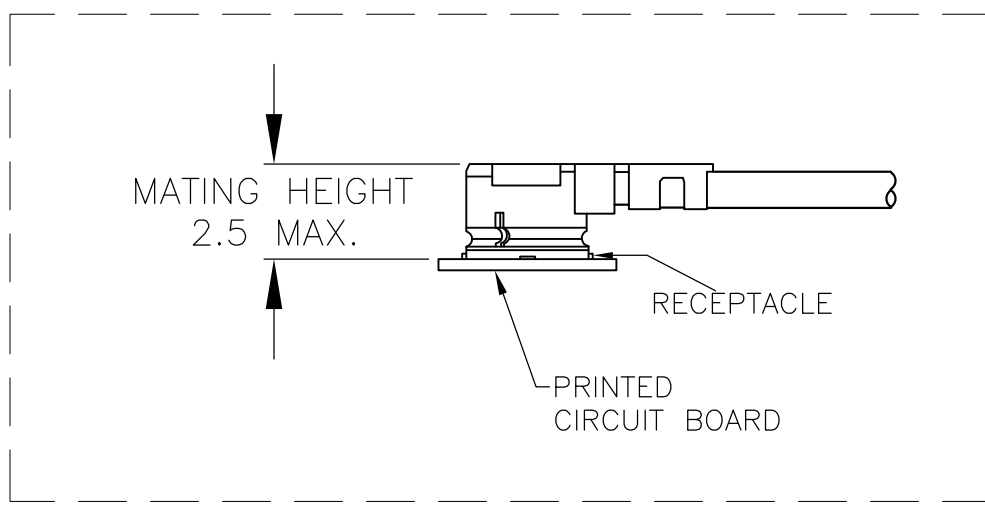
Email & Skype: info@chipsmall.com Web: www.chipsmall.com

Address: A1208, Overseas Decoration Building, #122 Zhenhua RD., Futian, Shenzhen, China

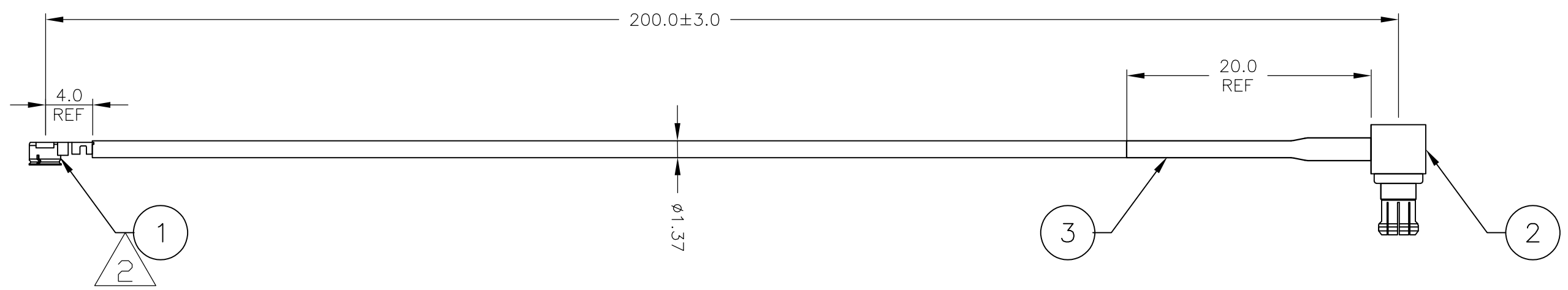


THIS DRAWING IS UNPUBLISHED. RELEASED FOR PUBLICATION
 © COPYRIGHT BY TYCO ELECTRONICS CORPORATION. ALL RIGHTS RESERVED.

LOC GP	DIST 00	REVISIONS			
P	LTR	DESCRIPTION	DATE	DWN	APVD
	A	RELEASE PER RTS 90046	04/DEC/07	ECC	JO



1. PRODUCT AND PROCESSING MUST MEET REQUIREMENTS OF TYCO ELECTRONICS STANDARD 230-702.
2. HIROSE COMPATIBLE, 2.5 mm MATING HEIGHT. UMCC CONNECTOR, TYPE III
3. CABLE ASSEMBLY TO BE 100% ELECTRICALLY TESTED FOR OPENS, SHORTS AND CONTINUITY. HI-POT AT 150 VDC FOR 100ms VSWR: 1.5:1 MAX.



2032442-1
 TYCO ELECTRONICS P/N

A/R	MR	TUBING, HEAT SHRINK	3
1	PC	MCX, R/A, PLUG	2
1	PC	UMCC, PLUG [1.37mm CABLE]	1
-1	U/M	DESCRIPTION	ITEM

THIS DRAWING IS A CONTROLLED DOCUMENT.		DWN E. C. CLAYBAUGH 28/NOV/07	Tyco Electronics Corporation Harrisburg, PA 17105-3608	
DIMENSIONS: mm [INCHES]	TOLERANCES UNLESS OTHERWISE SPECIFIED:	CHK J. ORNER 04/DEC/07	NAME CABLE ASSY, RF, UMCC PLUG TO MCX R/A PLUG [1.37mm CABLE]	
	0 PLC ± -	APVD J. ORNER 04/DEC/07	PRODUCT SPEC	
	1 PLC ± -		APPLICATION SPEC	
	2 PLC ± -		SIZE	CAGE CODE
	3 PLC ± -		A3	00779
	4 PLC ± -		DRAWING NO	C-2032442
	ANGLES ± -		RESTRICTED TO	-
MATERIAL	FINISH	WEIGHT	SCALE N.T.S.	
-	-	-	SHEET	1 OF 1
CUSTOMER DRAWING			REV	A