



Chipsmall Limited consists of a professional team with an average of over 10 year of expertise in the distribution of electronic components. Based in Hongkong, we have already established firm and mutual-benefit business relationships with customers from,Europe,America and south Asia,supplying obsolete and hard-to-find components to meet their specific needs.

With the principle of “Quality Parts,Customers Priority,Honest Operation,and Considerate Service”,our business mainly focus on the distribution of electronic components. Line cards we deal with include Microchip,ALPS,ROHM,Xilinx,Pulse,ON,Everlight and Freescale. Main products comprise IC,Modules,Potentiometer,IC Socket,Relay,Connector.Our parts cover such applications as commercial,industrial, and automotives areas.

We are looking forward to setting up business relationship with you and hope to provide you with the best service and solution. Let us make a better world for our industry!



## Contact us

Tel: +86-755-8981 8866 Fax: +86-755-8427 6832

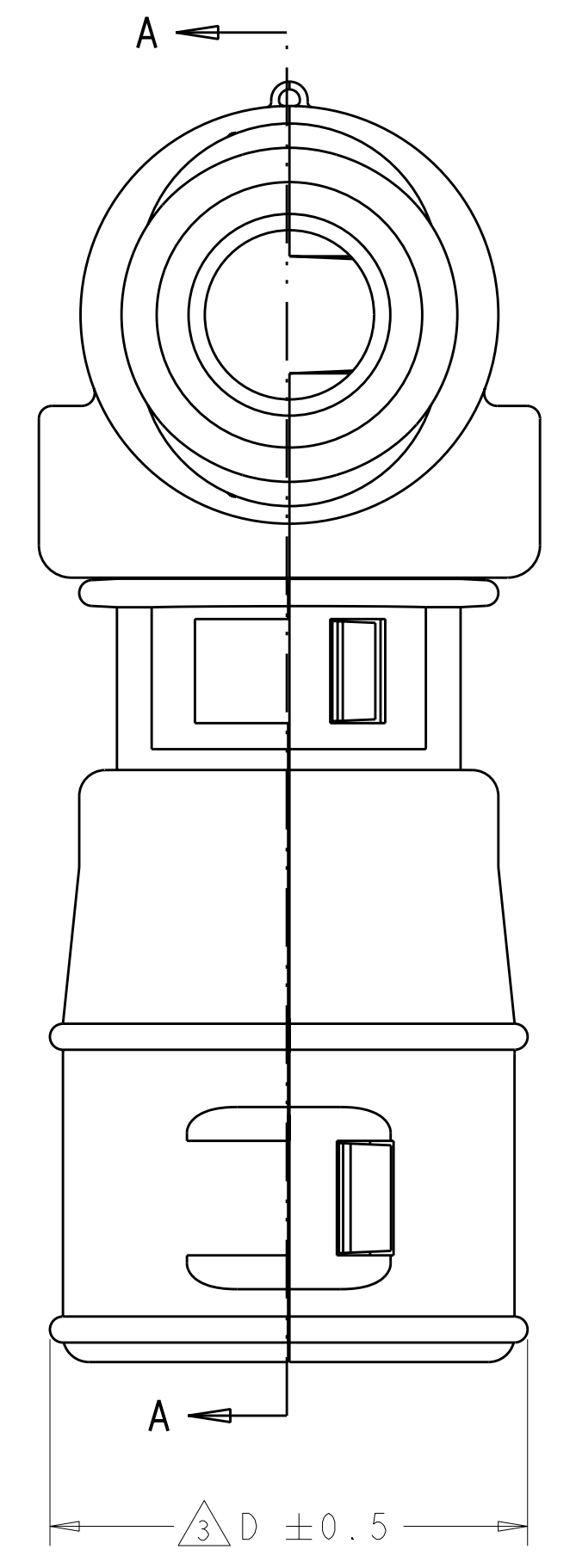
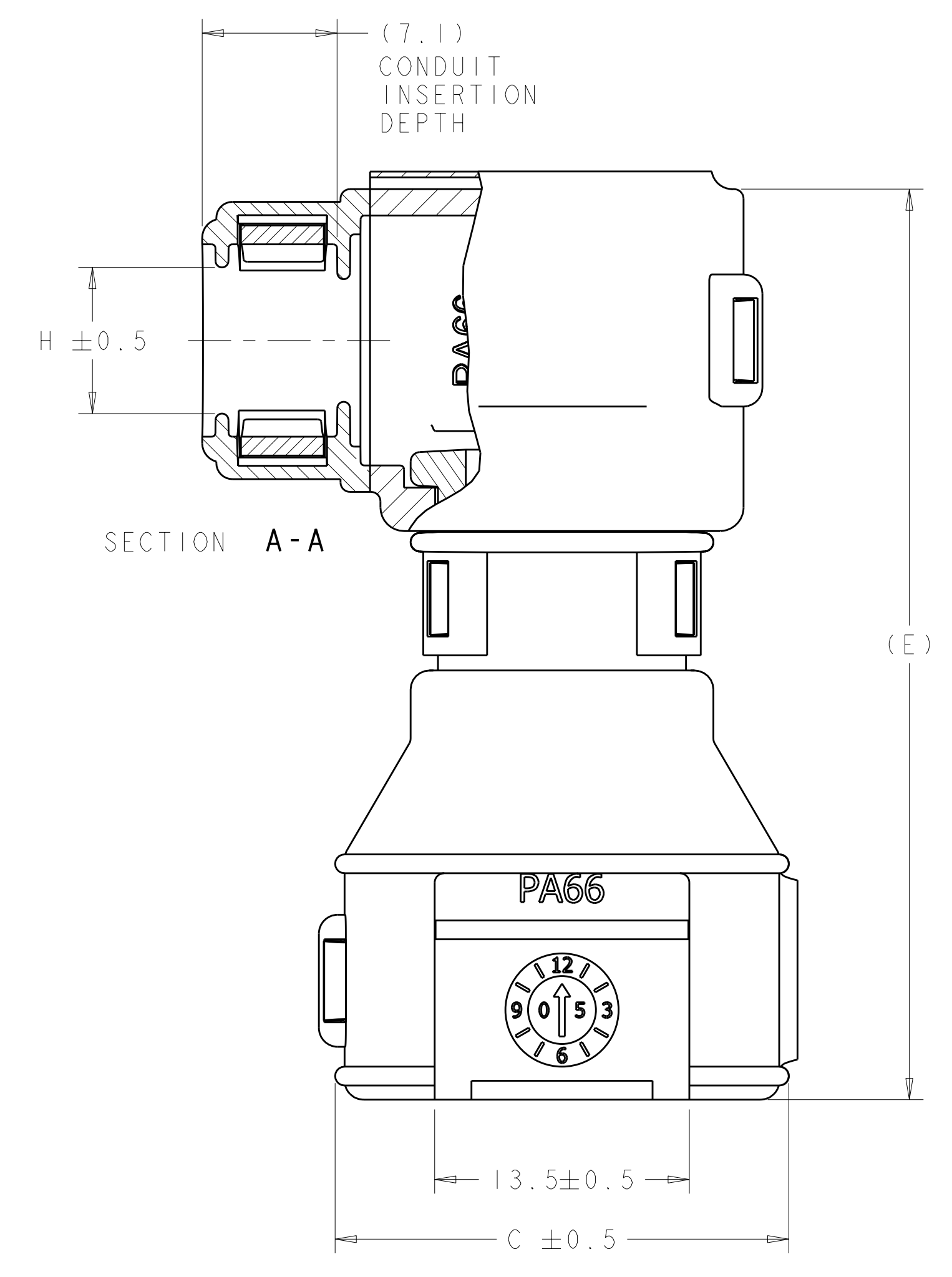
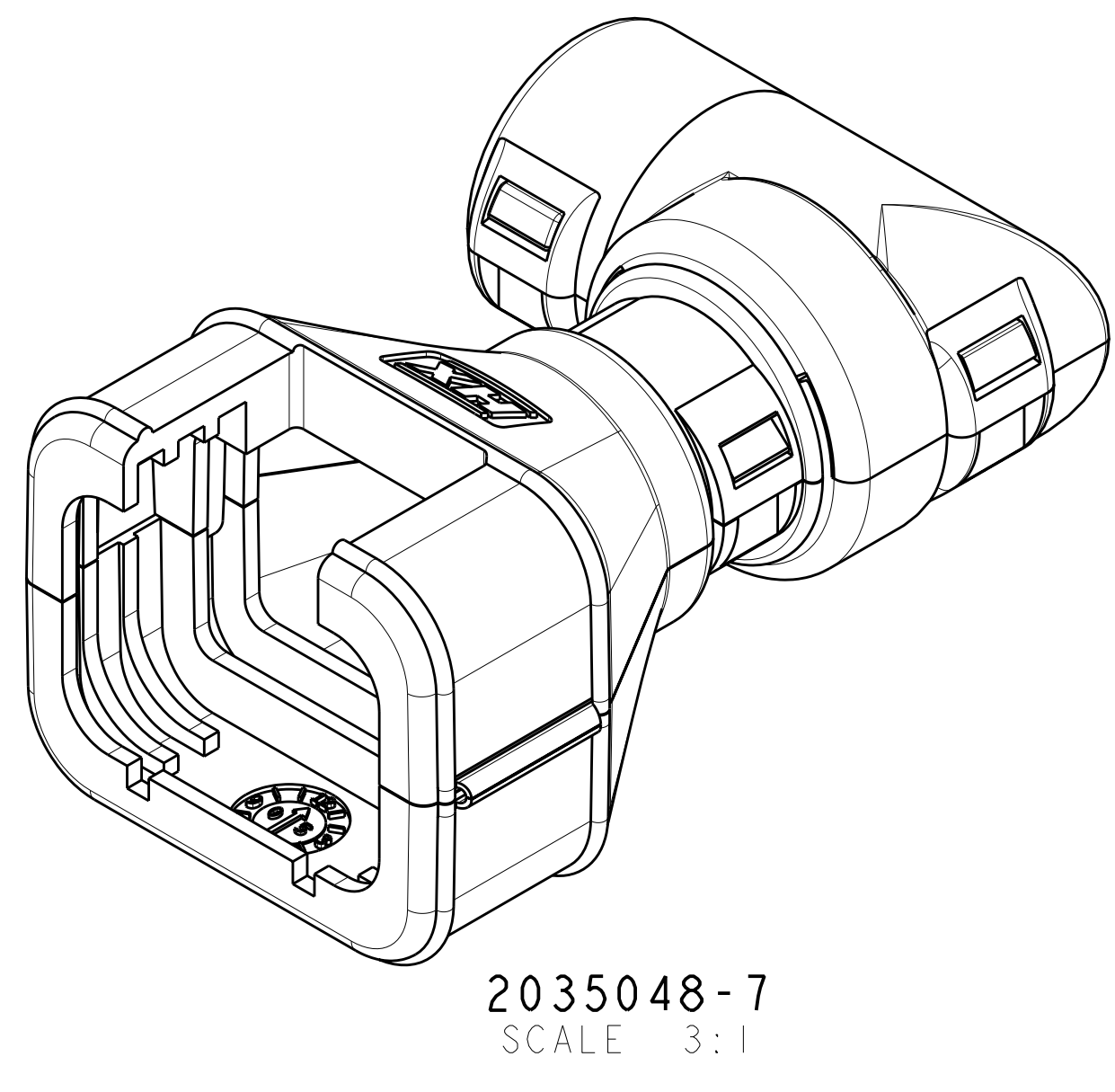
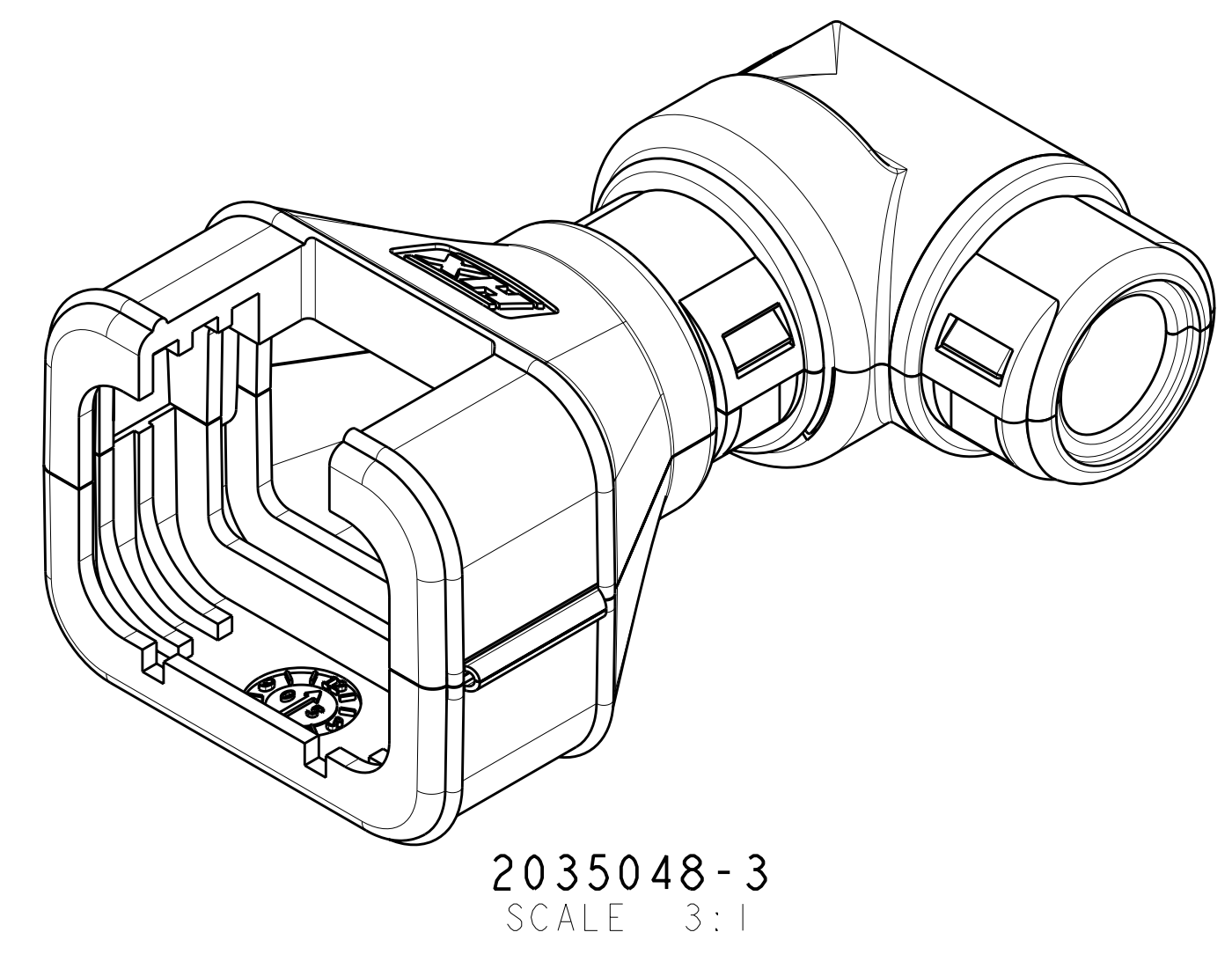
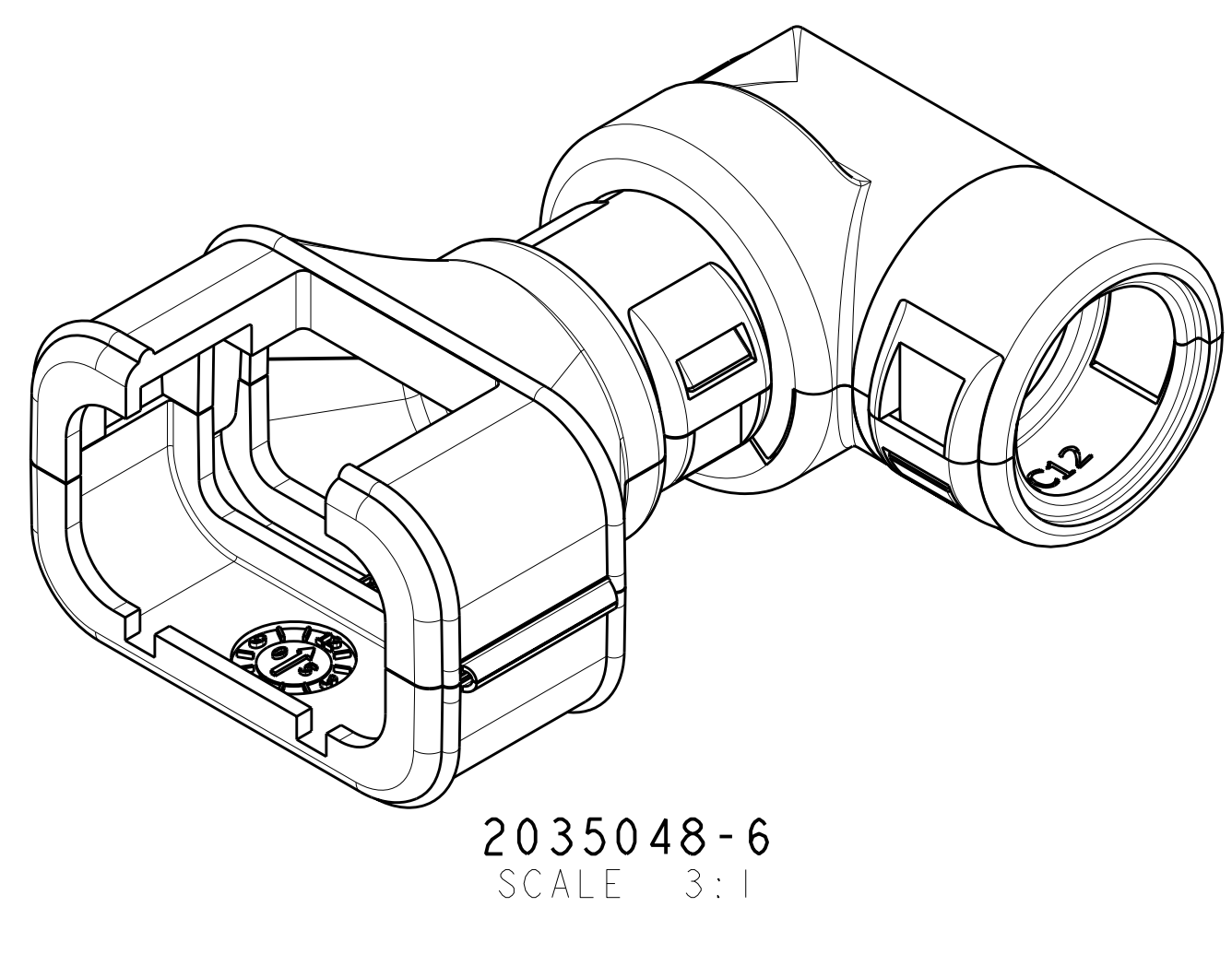
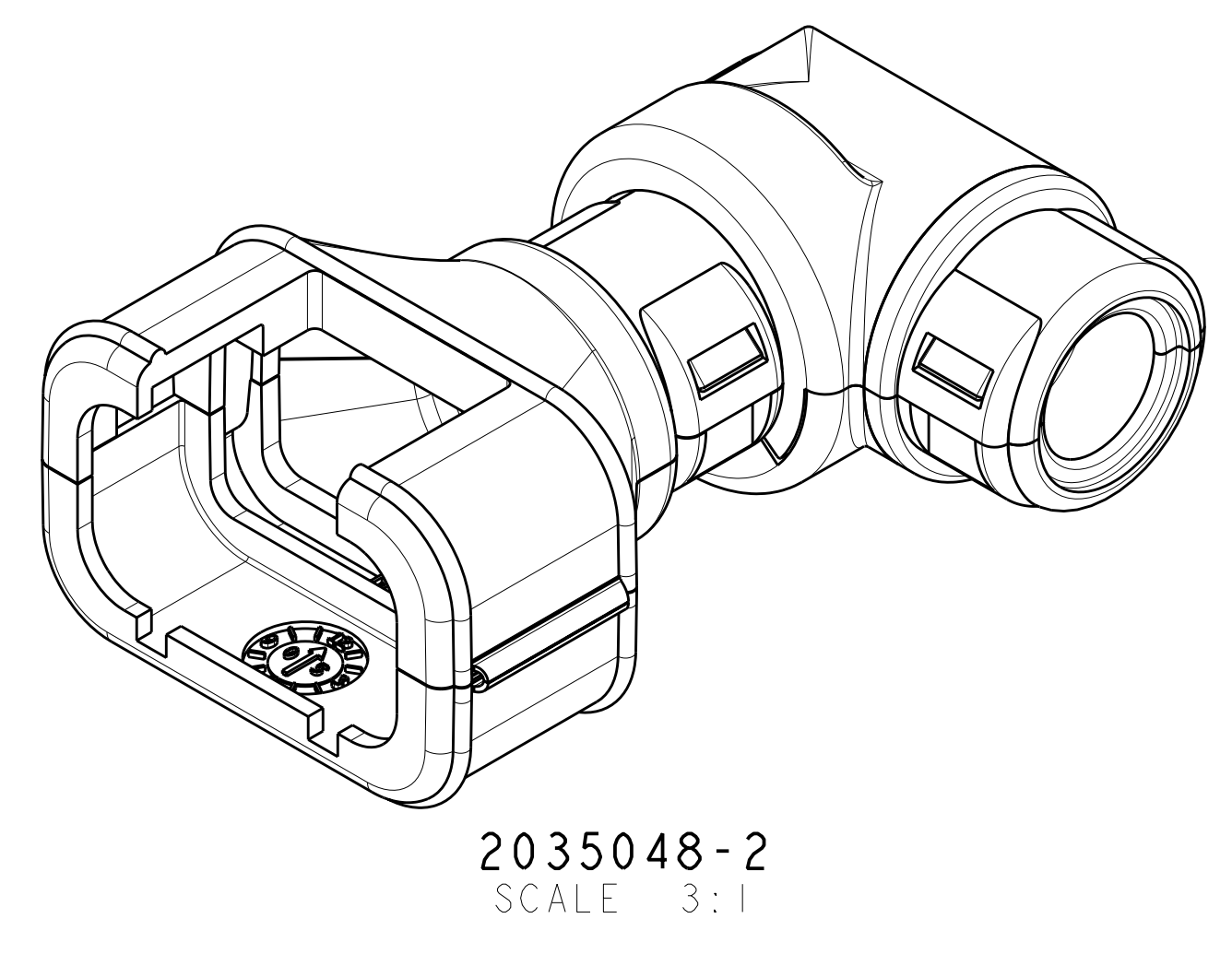
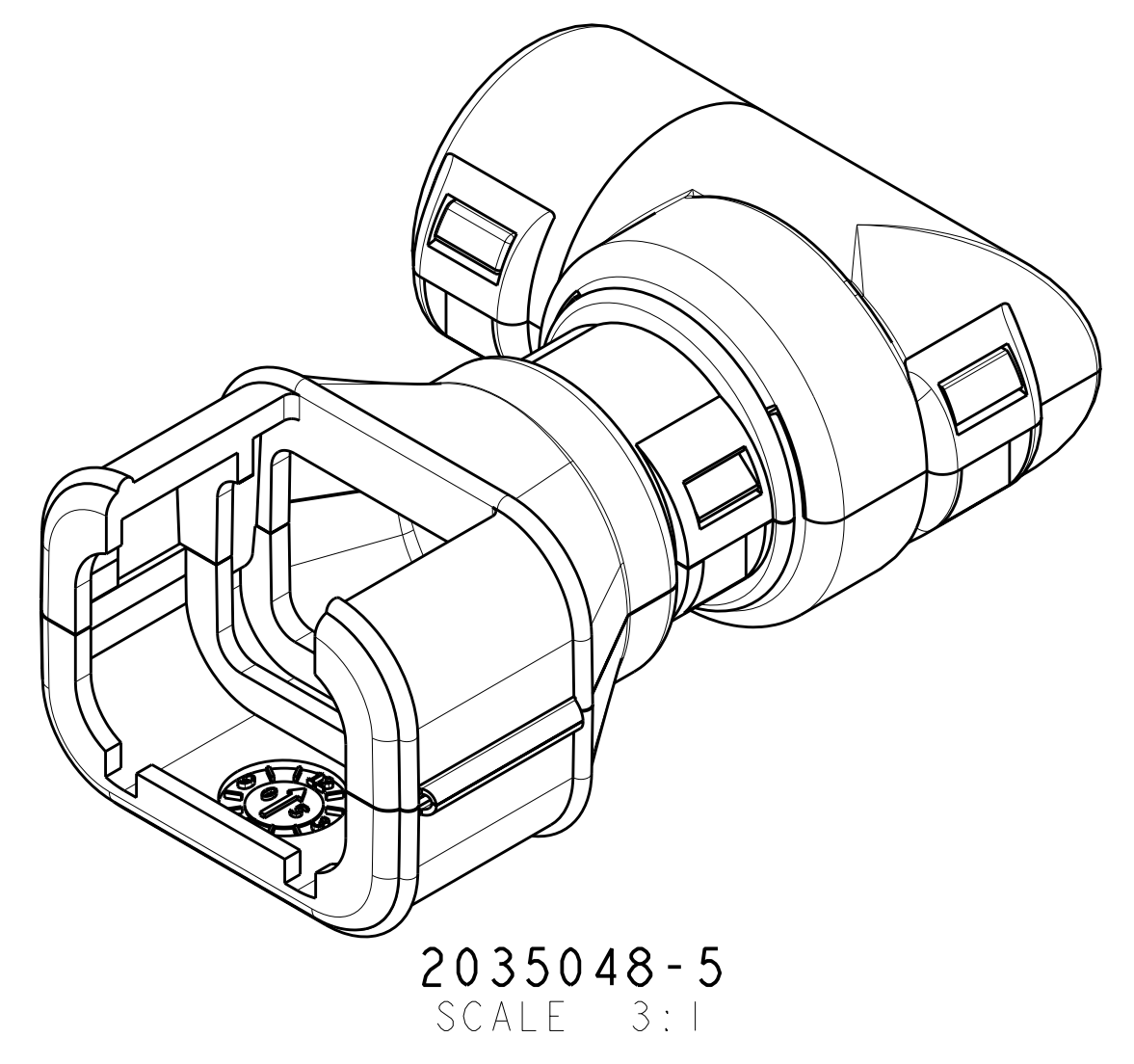
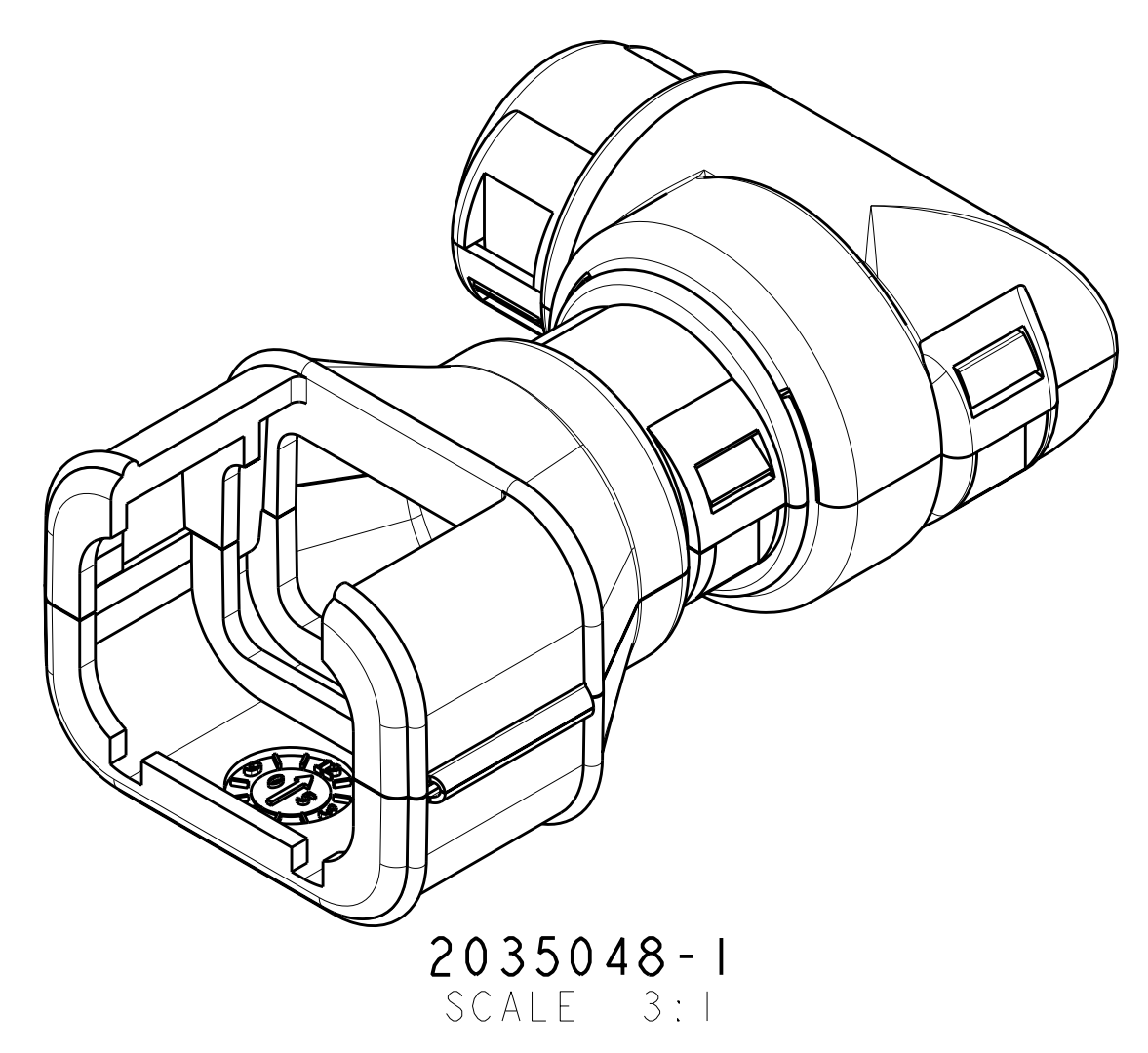
Email & Skype: info@chipsmall.com Web: www.chipsmall.com

Address: A1208, Overseas Decoration Building, #122 Zhenhua RD., Futian, Shenzhen, China



LOC	DIST	REVISIONS			
P	LTN	DESCRIPTION	DATE	DWN	APVD
FX	00				
B		REVISED PER ECO-09-009390	16APR2009	DD	RB
C		REVISED PER ECO-11-017736	30SEP2011	DD	RB

- ⚠ BACKSHELL IS NOT CURRENTLY TOOLED FOR PRODUCTION.
- 2. ELBOW DESIGN ALLOWS FOR 360° EXIT ROTATION.
- ⚠ DIMENSION TO BE MEASURED WHEN THE COVER IS CLOSED.



TE PART NUMBER	ASSY POSN	NOMINAL CONDUIT SIZE		NOMINAL DIMENSIONS			
		NC	NW	C	D	(E)	H
2035048-1	2	08	7.5	23.9	18.3	48.3	7.8
2035048-2	3	08	7.5	28.5	18.3	48.3	7.8
2035048-3	4	08	7.5	29.1	23.6	52.3	7.8
2035048-4	6	⚠ NOT CURRENTLY TOOLED					
2035048-5	2	12	10	23.9	18.3	48.3	11.0
2035048-6	3	12	10	28.5	18.3	48.3	11.0
2035048-7	4	12	10	29.1	23.6	52.3	11.0
2035048-8	6	⚠ NOT CURRENTLY TOOLED					
2035048-9	8	⚠ NOT CURRENTLY TOOLED					

THIS DRAWING IS A CONTROLLED DOCUMENT.

DWN: J. MARKEY 28MAR2008  
CHK: J. MARKEY 28MAR2008  
APVD: J. MARKEY 28MAR2008

TE Connectivity

BACKSHELL, AMPSEAL 16, 90 DEGREE EXIT

SIZE: CAGE CODE: DRAWING NO: A100779C-2035048

MATERIAL: NYLON 6/6  
FINISH: -  
WEIGHT: -  
CUSTOMER DRAWING

SCALE: 4:1 SHEET 1 OF 1 REV C