



Chipsmall Limited consists of a professional team with an average of over 10 year of expertise in the distribution of electronic components. Based in Hongkong, we have already established firm and mutual-benefit business relationships with customers from,Europe,America and south Asia,supplying obsolete and hard-to-find components to meet their specific needs.

With the principle of “Quality Parts,Customers Priority,Honest Operation,and Considerate Service”,our business mainly focus on the distribution of electronic components. Line cards we deal with include Microchip,ALPS,ROHM,Xilinx,Pulse,ON,Everlight and Freescale. Main products comprise IC,Modules,Potentiometer,IC Socket,Relay,Connector.Our parts cover such applications as commercial,industrial, and automotives areas.

We are looking forward to setting up business relationship with you and hope to provide you with the best service and solution. Let us make a better world for our industry!



## Contact us

Tel: +86-755-8981 8866 Fax: +86-755-8427 6832

Email & Skype: info@chipsmall.com Web: www.chipsmall.com

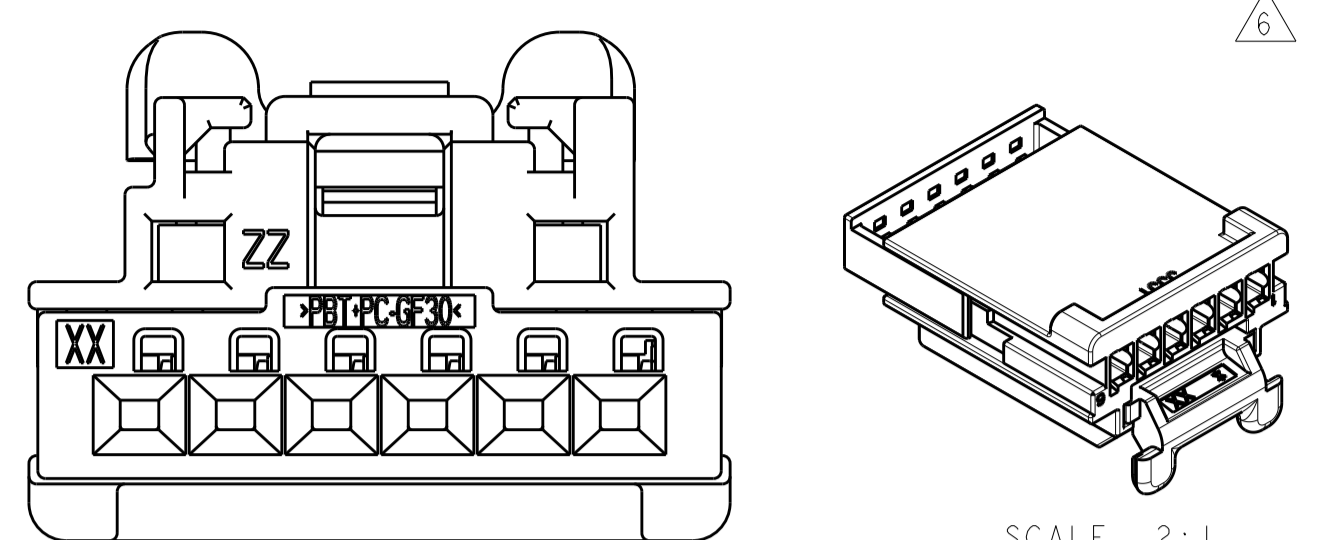
Address: A1208, Overseas Decoration Building, #122 Zhenhua RD., Futian, Shenzhen, China



REVISIONS				
P.	LTN.	DESCRIPTION	DATE	OWN. / APPV.
B		REVISED PER ECO-12-013707	25JUL2012	DD / RL
B1		REVISED PER ECO-15-011565	21AUG2015	DLD / DCM

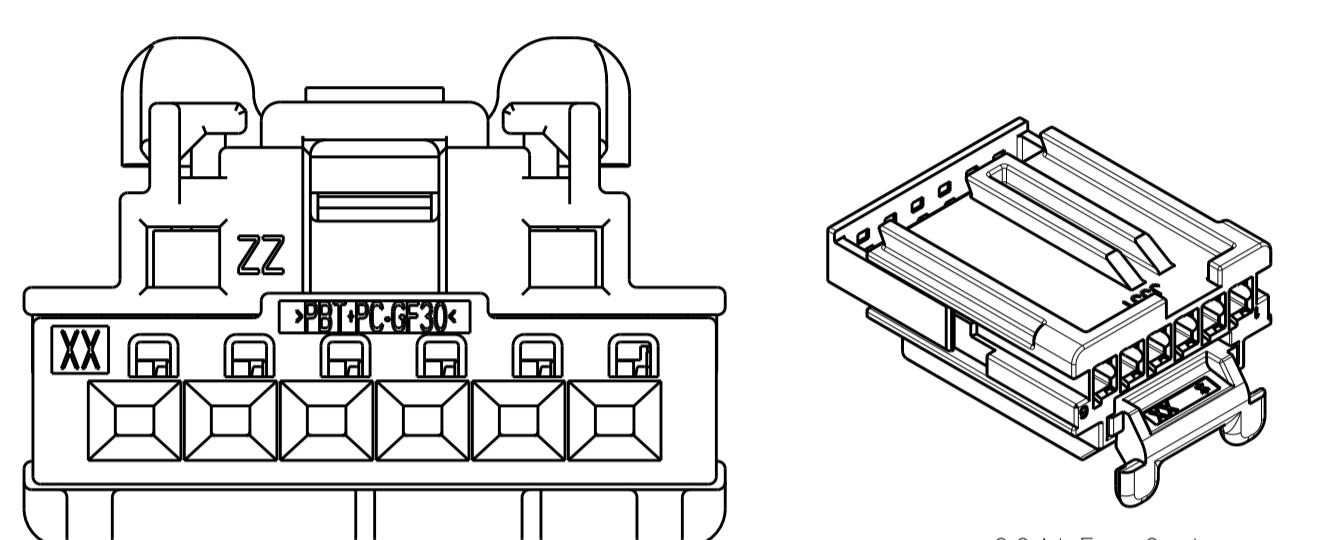
KEYING OPTIONS (SHOWN WITH CPA)

KEYING OPTION: B



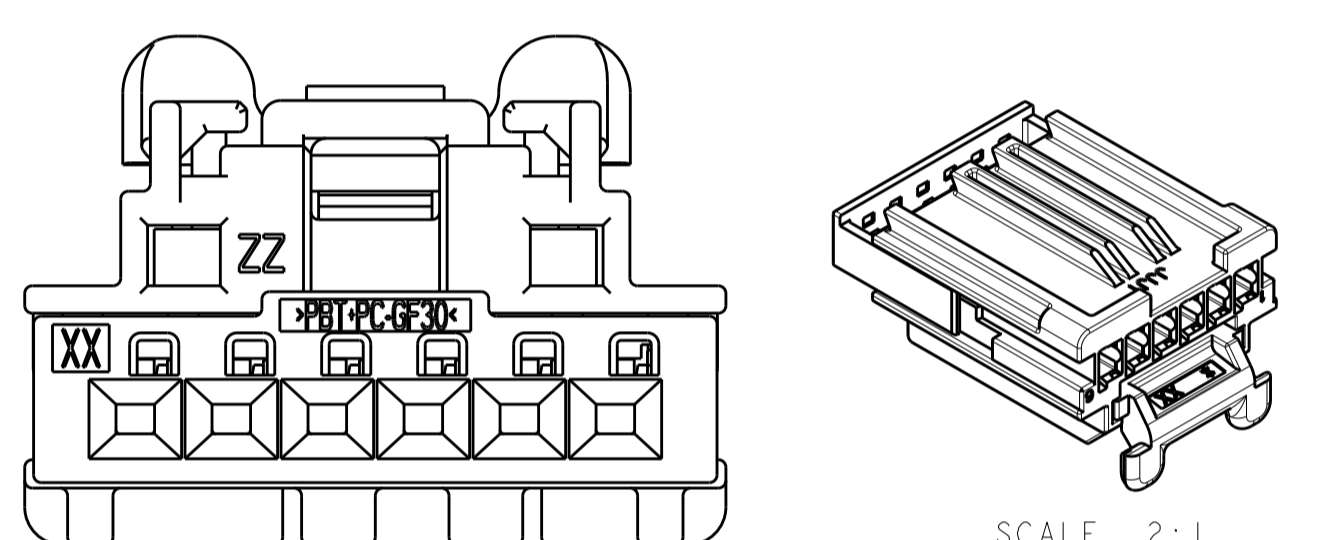
SCALE 2:1

KEYING OPTION: C



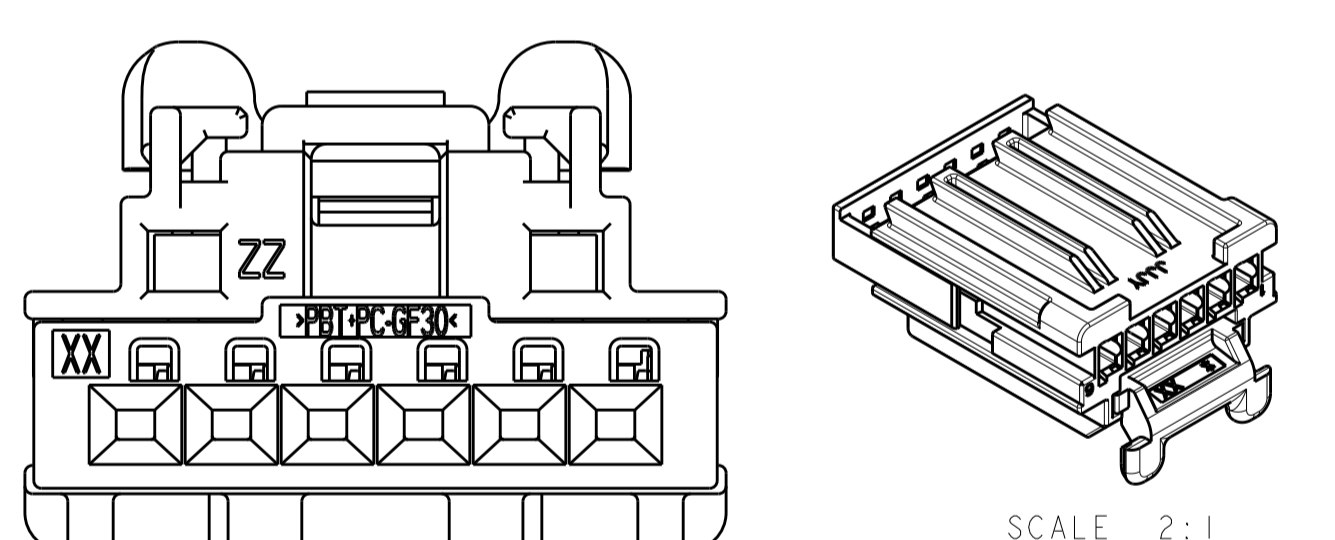
SCALE 2:1

KEYING OPTION: D



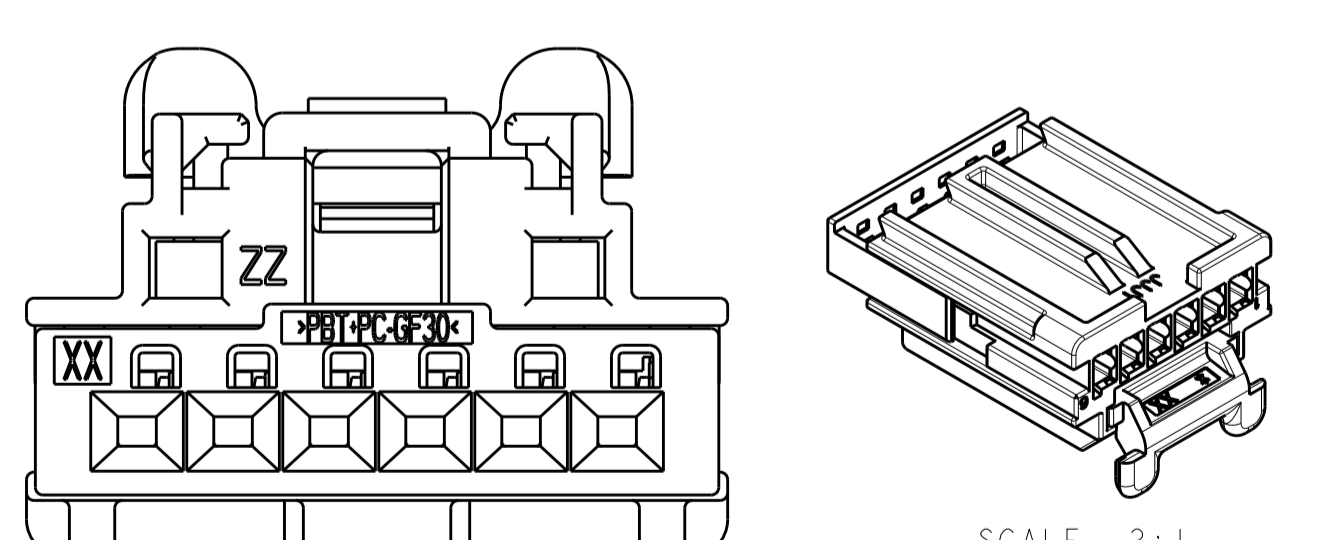
SCALE 2:1

KEYING OPTION: E

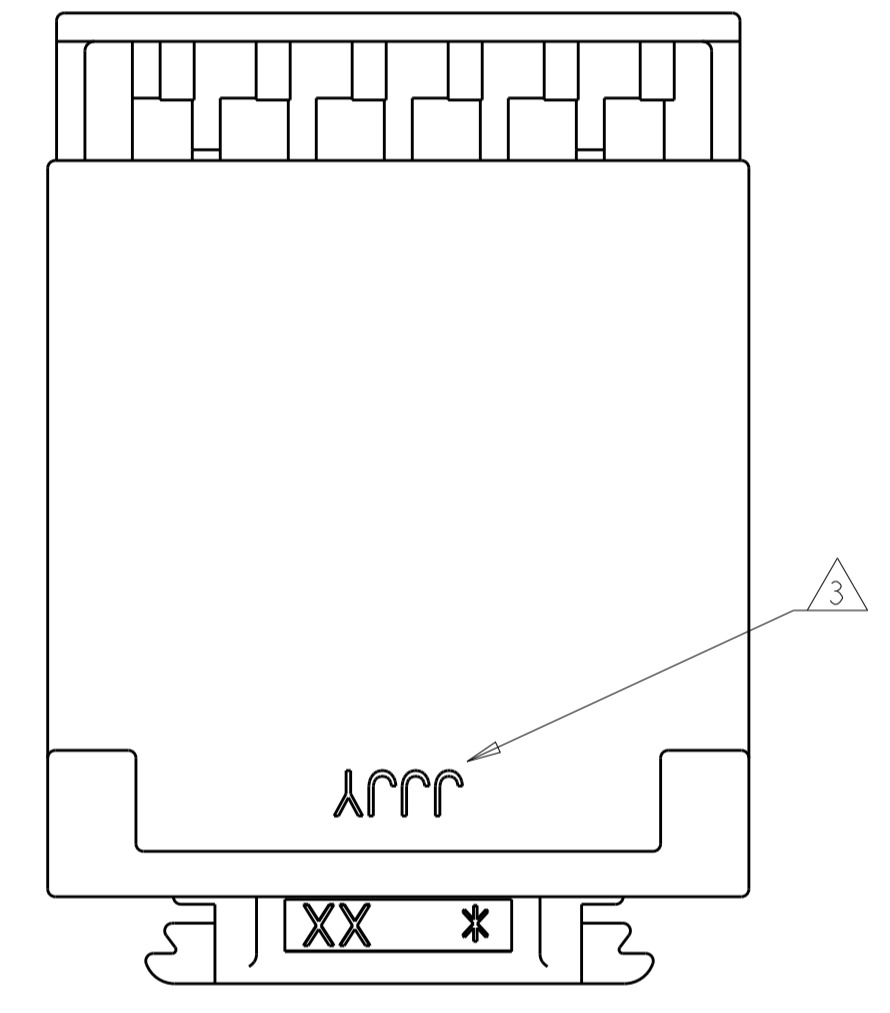
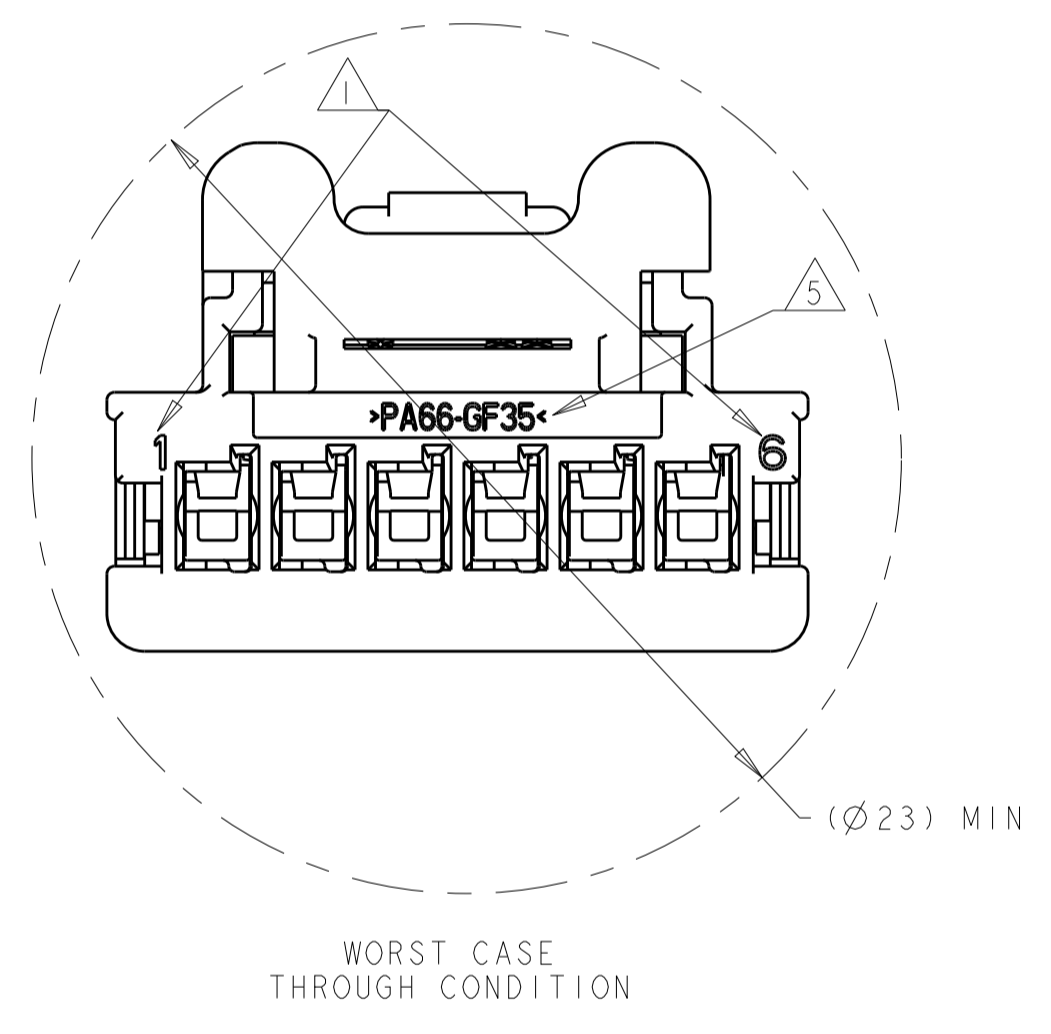
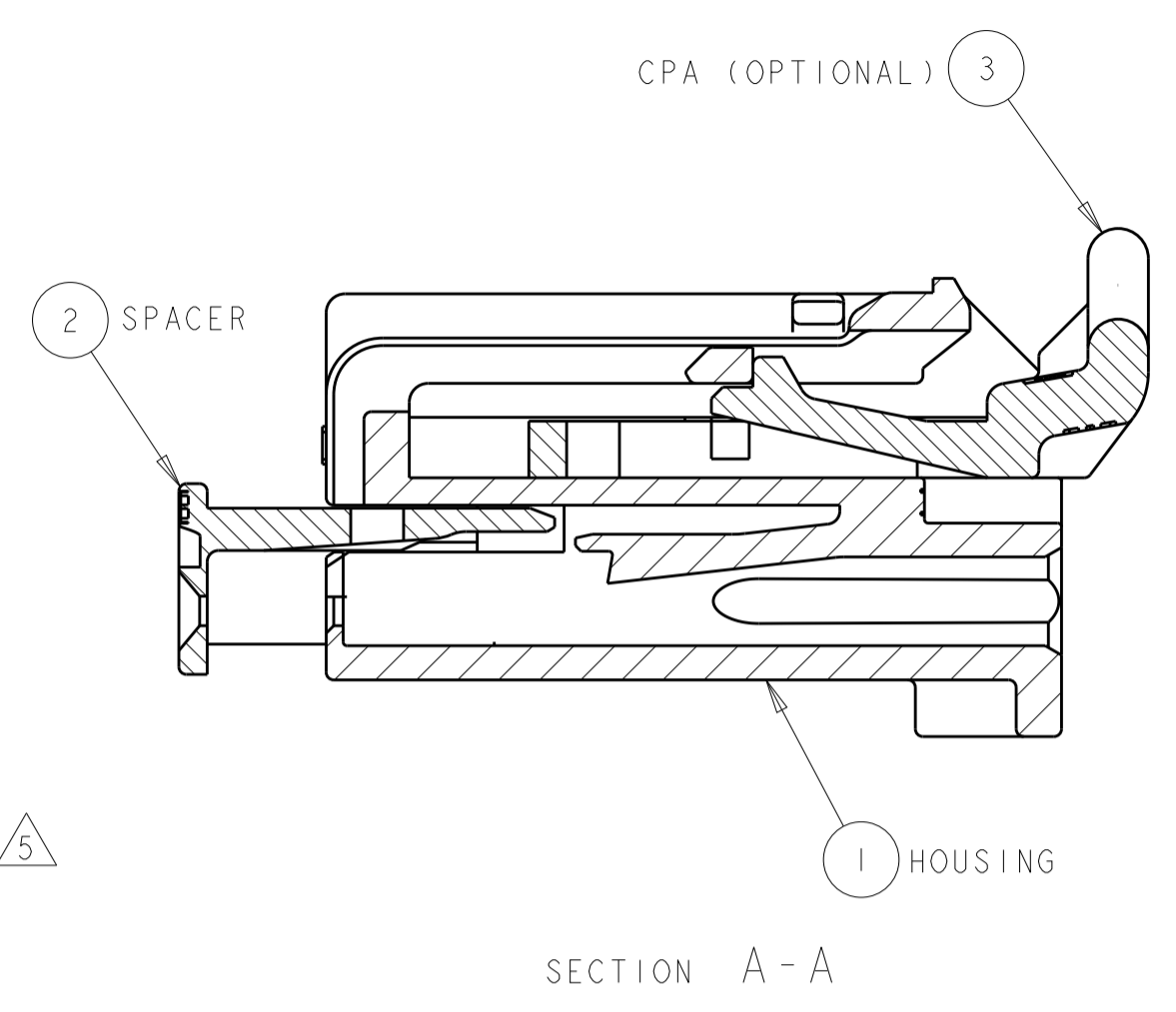
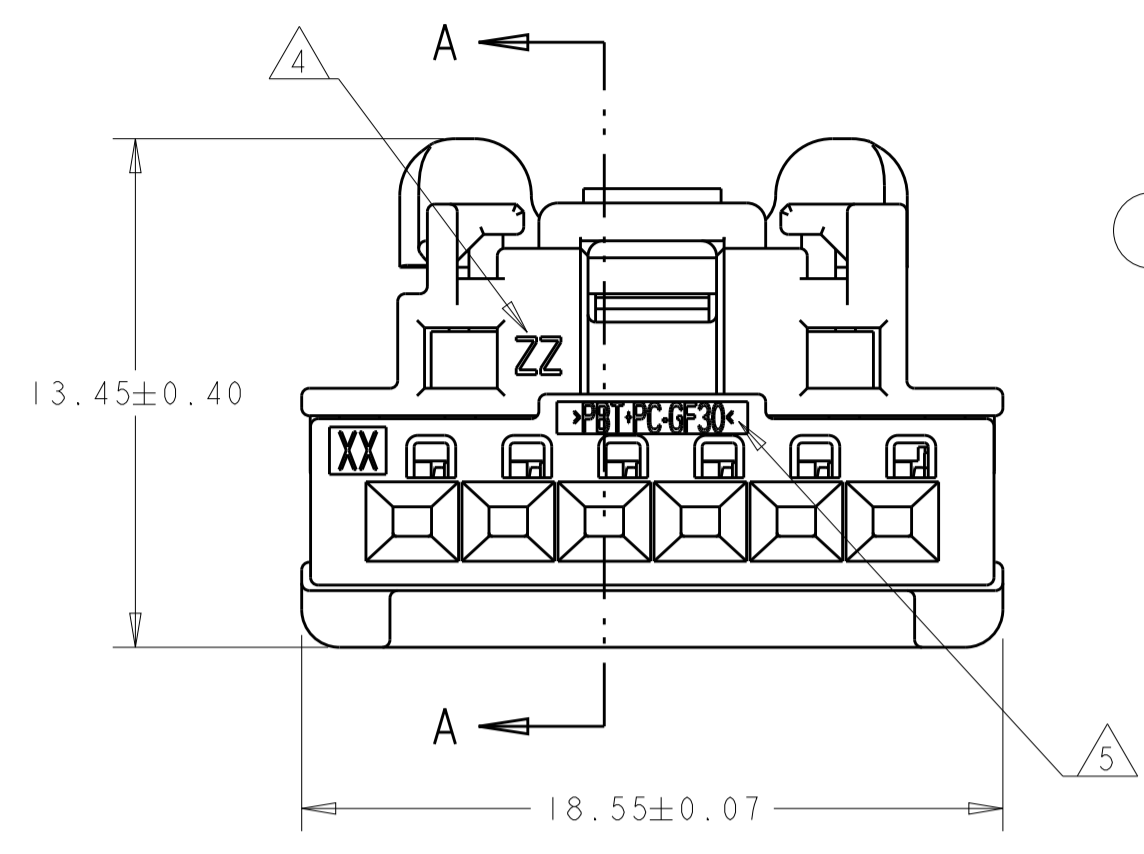
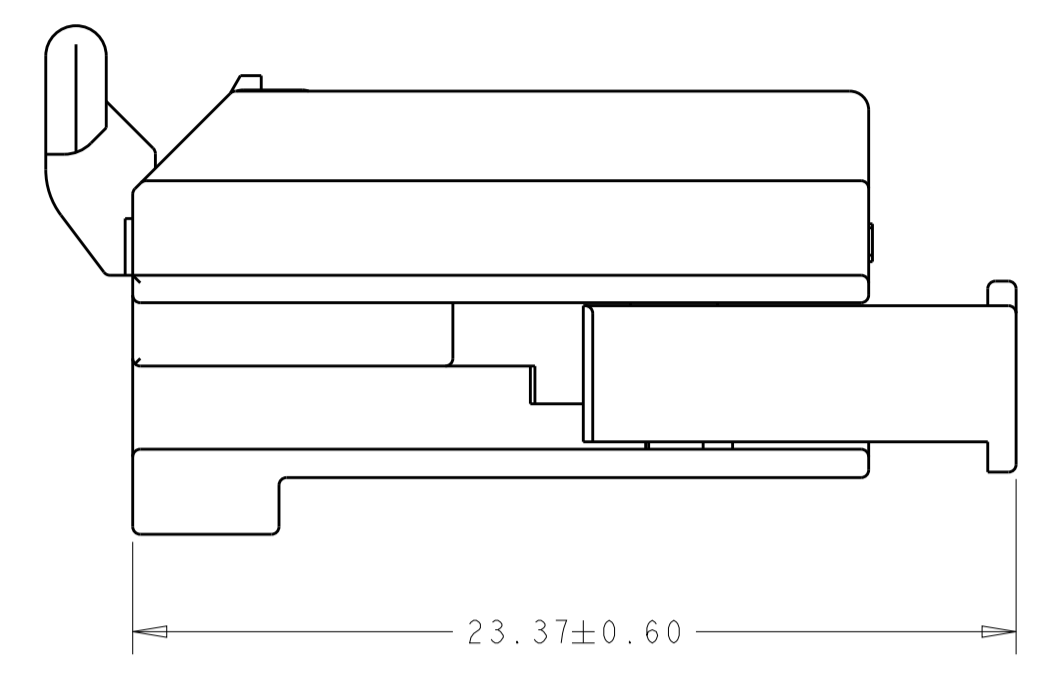


SCALE 2:1

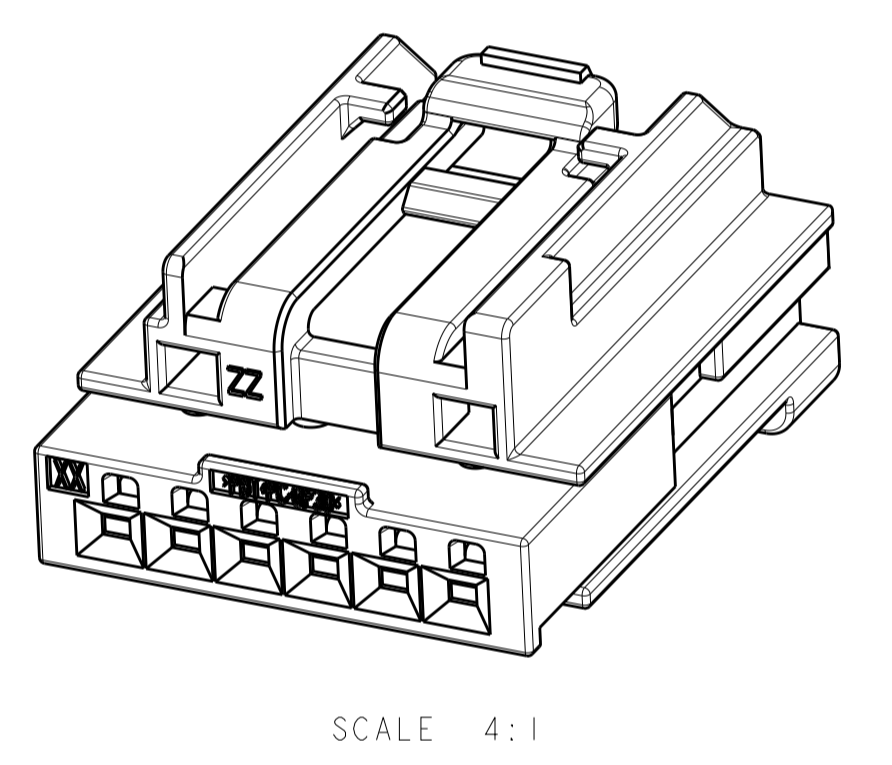
KEYING OPTION: F



SCALE 2:1



- △ CIRCUIT IDENTIFICATION NUMBERS LOCATED AS SHOWN.
- 2. SPACER AND CPA (OPTIONAL) ARE SHIPPED IN PRE-ASSEMBLED POSITION.
- 3. DATE CODE; FORMAT: JJJ = JULIAN DAY; Y = YEAR (4TH DIGIT).
- 4. MOLD CAVITY IDENTIFICATION.
- 5. MATERIAL IDENTIFICATION.
- 6. KEYING OPTION B NOT PREFERRED FOR NEW APPLICATIONS.
- 7. PACKAGING: CONNECTOR ASSEMBLIES BULK PACKED IN CARDBOARD BOXES.



SCALE 4:1

PARTS LIST									
ITEM NO.	QTY REQ'D PER ASSY	DESCRIPTION	MATERIAL	COLOR	ITEM NO.	ASSEMBLY PN			
1		CPA	>PBT-GF15<	RED	3				
2		SPACER	>PBT+PC-GF30<	RED	2				
3		HOUSING; KEY F	>PA66-GF35<	BLACK	1				
4		HOUSING; KEY E	>PA66-GF35<	BLACK	1				
5		HOUSING; KEY D	>PA66-GF35<	BLACK	1				
6		HOUSING; KEY C	>PA66-GF35<	BLACK	1				
7		HOUSING; KEY B	>PA66-GF35<	BLACK	1				
REVISION OF EACH ASSY NO (WHEN BLANK, USE DWG REVISION)									
WEIGHT OF EACH ASSY NO (g)									

THIS DRAWING IS A CONTROLLED DOCUMENT.

DIMENSIONS: mm  
 TOLERANCES UNLESS OTHERWISE SPECIFIED:  
 0 PLC ±0.15  
 1 PLC ±0.15  
 2 PLC ±0.15  
 3 PLC ±0.15  
 4 PLC ±0.15  
 ANGLES ±0.5°  
 MATERIAL: SEE TABLE  
 FINISH: -

DWN: D. DRUMMOND 20APR2012  
 CHK: C. MARTIN 20APR2012  
 APPV: C. MARTIN 20APR2012

**STE** TE Connectivity  
 NAME: FEMALE ASSEMBLY, 6 POSITION (1X6), UNSEALED, GENERATION Y  
 SIZE: A1  
 CAGE CODE: 00779  
 DRAWING NO: 2035363  
 SCALE: 5:1  
 SHEET: 1 OF 1  
 REV: B1