



Chipsmall Limited consists of a professional team with an average of over 10 year of expertise in the distribution of electronic components. Based in Hongkong, we have already established firm and mutual-benefit business relationships with customers from,Europe,America and south Asia,supplying obsolete and hard-to-find components to meet their specific needs.

With the principle of “Quality Parts,Customers Priority,Honest Operation,and Considerate Service”,our business mainly focus on the distribution of electronic components. Line cards we deal with include Microchip,ALPS,ROHM,Xilinx,Pulse,ON,Everlight and Freescale. Main products comprise IC,Modules,Potentiometer,IC Socket,Relay,Connector.Our parts cover such applications as commercial,industrial, and automotives areas.

We are looking forward to setting up business relationship with you and hope to provide you with the best service and solution. Let us make a better world for our industry!



Contact us

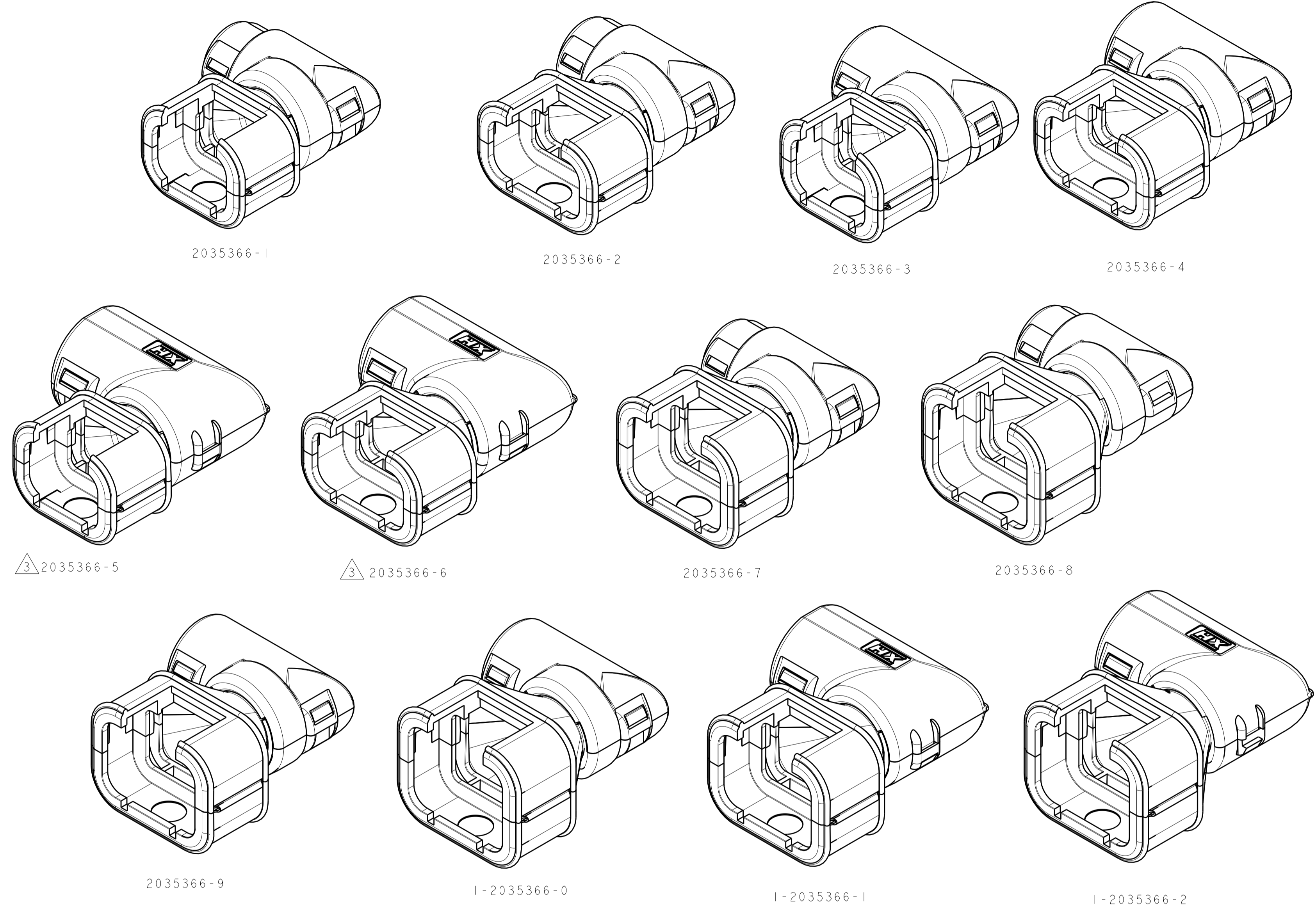
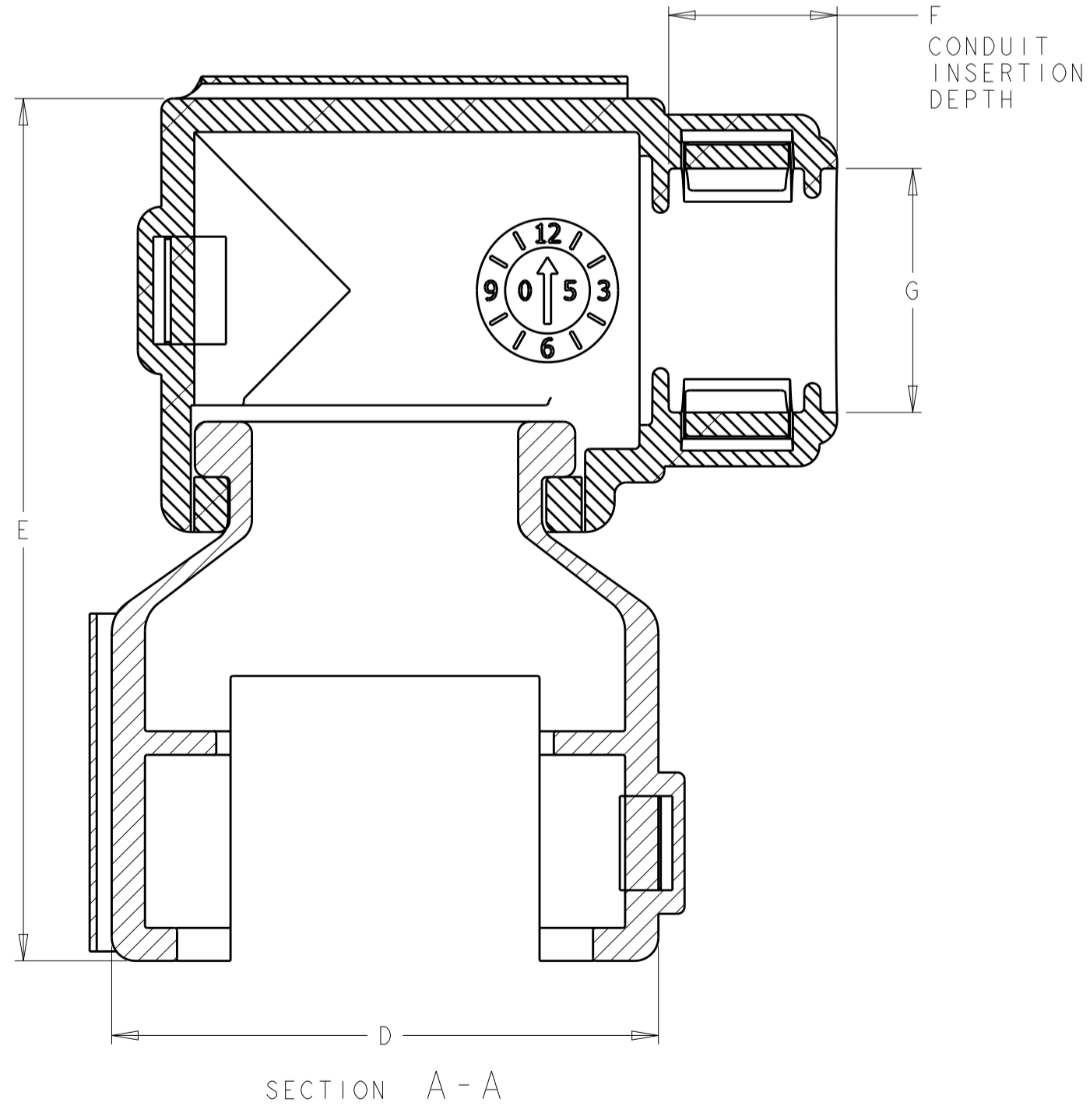
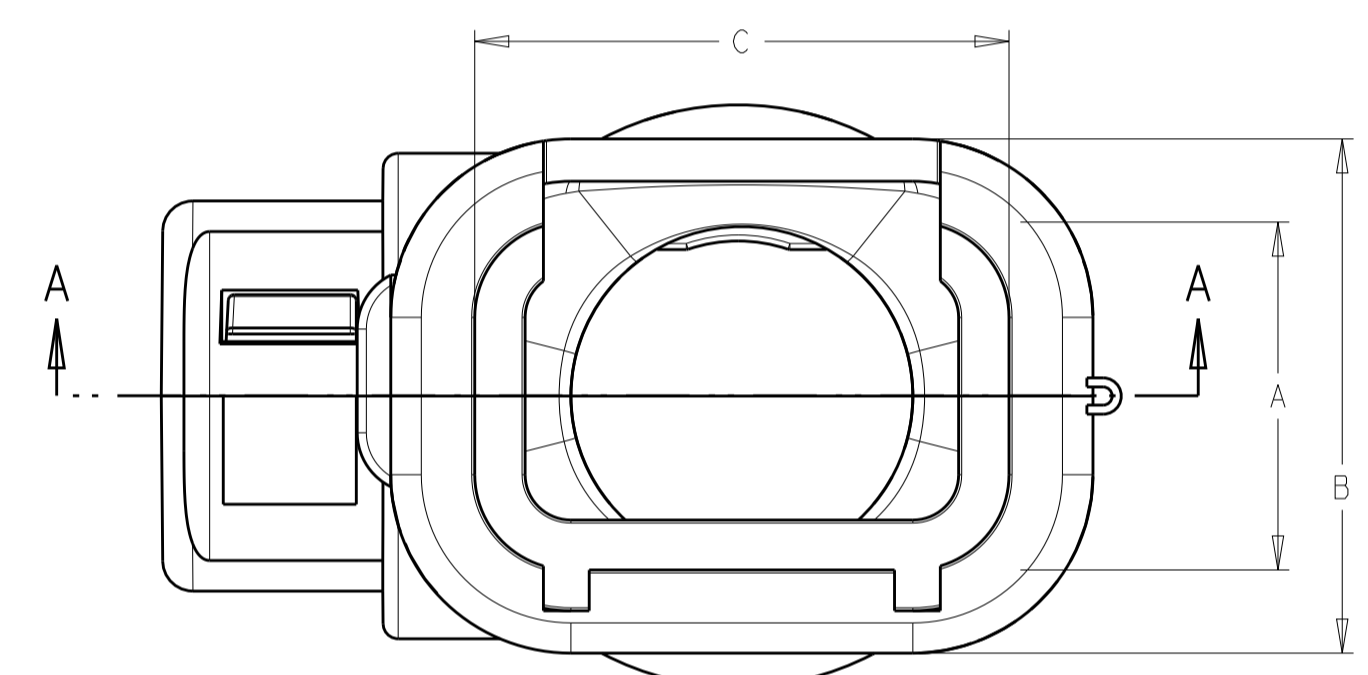
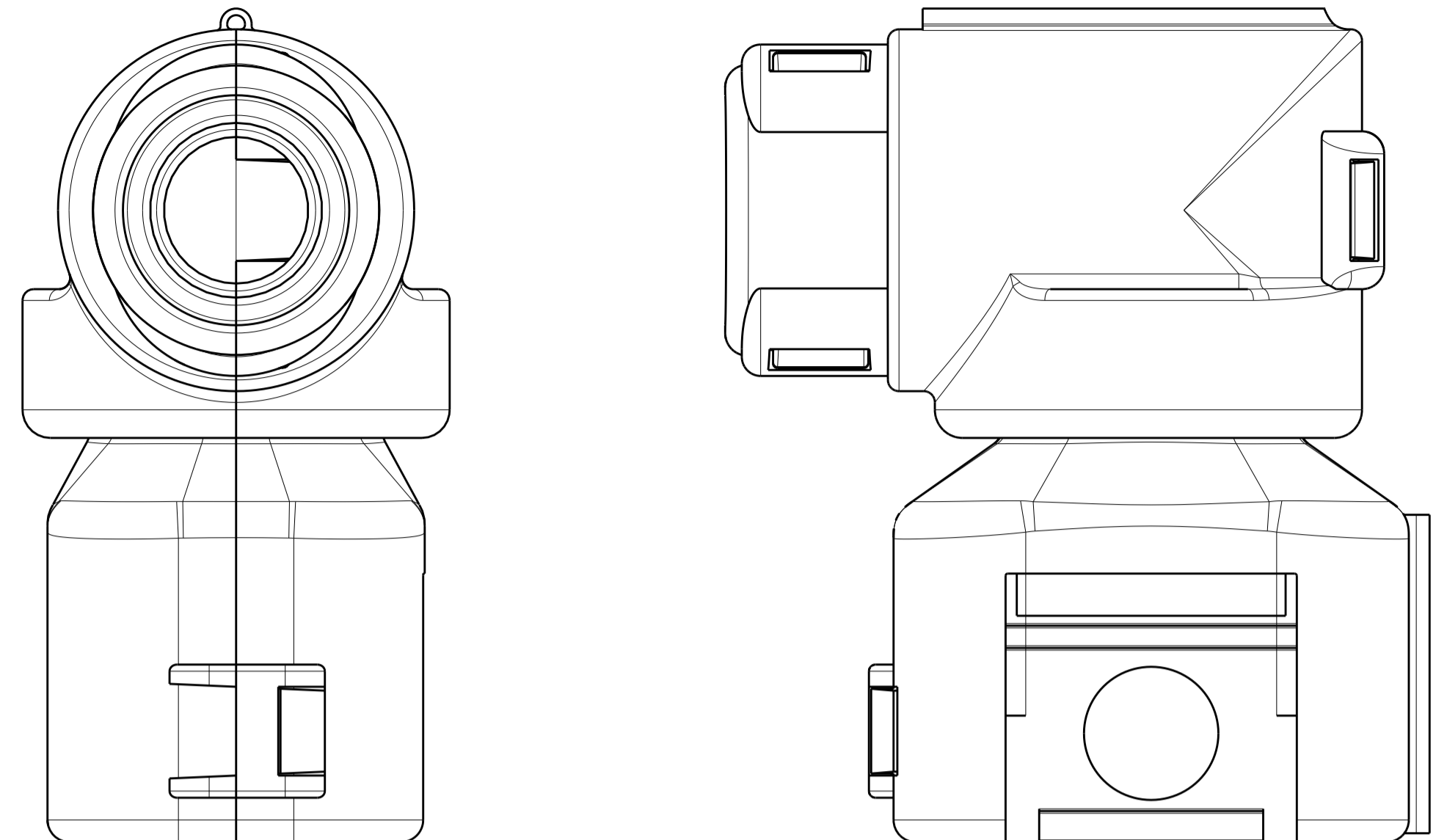
Tel: +86-755-8981 8866 Fax: +86-755-8427 6832

Email & Skype: info@chipsmall.com Web: www.chipsmall.com

Address: A1208, Overseas Decoration Building, #122 Zhenhua RD., Futian, Shenzhen, China



REVISIONS					
P.	LTN.	DESCRIPTION	DATE	DMN.	APVD.
C		REV PER ECO-16-015688	01NOV2016	JM	RB



- 1. ELBOW DESIGN ALLOWS FOR 360° EXIT ROTATION
- 2. COLOR: BLACK
- 3. NOT TOOLED

	G	F	E	D	C	B	A	NW CONDUIT SIZE	NC CONDUIT SIZE	CONNECTOR POSITIONS	TE CONNECTIVITY PART NO.
	16.5	10.6	45.4	28.5	22.2	23.5	17.0	13	16	6	1-2035366-2
	16.5	10.6	43.6	28.5	22.2	21.7	15.1	13	16	4	1-2035366-1
	13.5	7.2	41.8	28.5	22.2	23.5	17.0	10	12	6	1-2035366-0
	13.5	7.2	40.1	28.5	22.2	21.7	15.1	10	12	4	2035366-9
	10.4	7.2	41.8	28.5	22.2	23.5	17.0	7.5	08	6	2035366-8
	10.4	7.2	40.1	28.5	22.2	21.7	15.1	7.5	08	4	2035366-7
3	-	-	-	-	-	-	-	13	16	3	2035366-6
3	-	-	-	-	-	-	-	13	16	2	2035366-5
	13.5	7.2	38.5	27.9	21.6	18.1	11.6	10	12	3	2035366-4
	13.5	7.2	36.5	23.7	17.5	18.1	11.6	10	12	2	2035366-3
	10.4	7.2	38.5	27.9	21.6	18.1	11.6	7.5	08	3	2035366-2
	10.4	7.2	36.5	23.7	17.5	18.1	11.6	7.5	08	2	2035366-1

THIS DRAWING IS A CONTROLLED DOCUMENT. DMN: RUSTY WORTHINGTON 27 JUL 2009
 CHK: ROGER BALTER 27 JUL 2009
 APVD: ROGER BALTER 27 JUL 2009
 NAME: BACKSHELL, RIGHT-ANGLE, LOW PROFILE PLUG CONNECTOR, NW/NC CONDUIT AMPSEAL 16
 MATERIAL: NYLON 6/6, BLACK
 DIMENSIONS: mm
 TOLERANCES UNLESS OTHERWISE SPECIFIED:
 0 PLC ±0.5
 1 PLC ±0.5
 2 PLC ±0.5
 3 PLC ±0.5
 4 PLC ±0.5
 ANGLES ±0.1°
 FINISH: -
 WEIGHT: -
 CUSTOMER DRAWING: -
 SCALE: 1:1
 SHEET: 1 OF 1
 REV: C