



Chipsmall Limited consists of a professional team with an average of over 10 year of expertise in the distribution of electronic components. Based in Hongkong, we have already established firm and mutual-benefit business relationships with customers from,Europe,America and south Asia,supplying obsolete and hard-to-find components to meet their specific needs.

With the principle of “Quality Parts,Customers Priority,Honest Operation,and Considerate Service”,our business mainly focus on the distribution of electronic components. Line cards we deal with include Microchip,ALPS,ROHM,Xilinx,Pulse,ON,Everlight and Freescale. Main products comprise IC,Modules,Potentiometer,IC Socket,Relay,Connector.Our parts cover such applications as commercial,industrial, and automotives areas.

We are looking forward to setting up business relationship with you and hope to provide you with the best service and solution. Let us make a better world for our industry!



Contact us

Tel: +86-755-8981 8866 Fax: +86-755-8427 6832

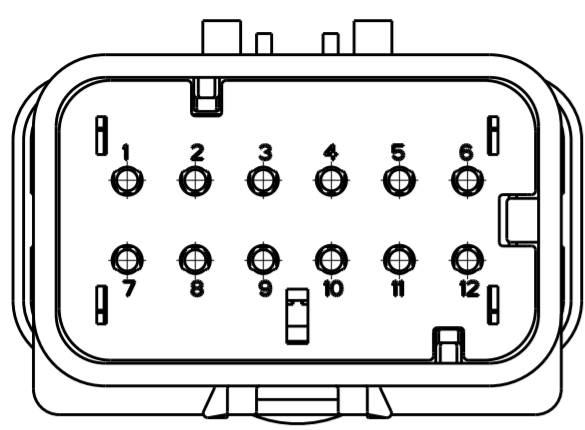
Email & Skype: info@chipsmall.com Web: www.chipsmall.com

Address: A1208, Overseas Decoration Building, #122 Zhenhua RD., Futian, Shenzhen, China

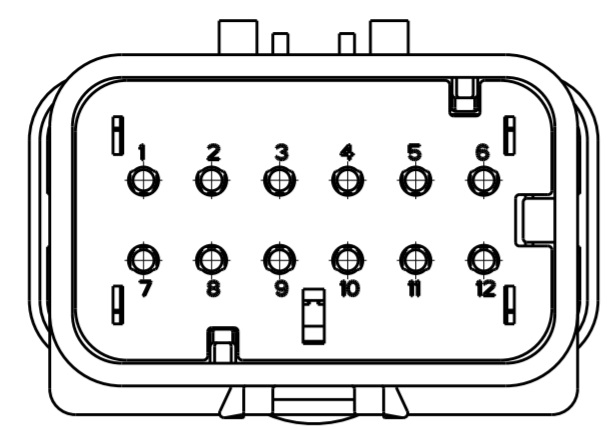


THIS DRAWING IS UNPUBLISHED
RELEASED FOR PUBLICATION
COPYRIGHT 20 BY - ALL RIGHTS RESERVED.

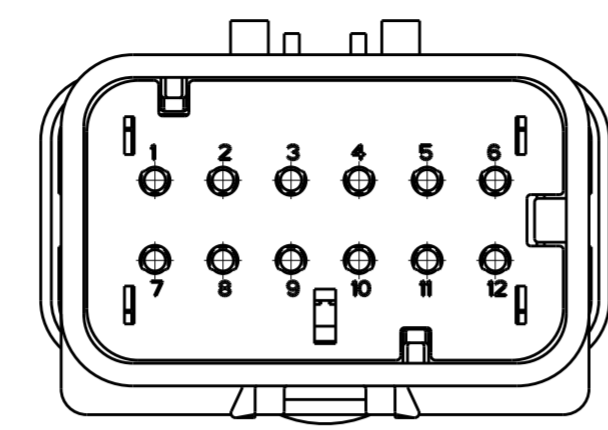
REVISIONS					
P	LTR	DESCRIPTION	DATE	DWN	APVD
A		INITIAL RELEASE PER D09-004	10MAR2009	DD	RB
B		REVISED PER ECO-13-019865	27DEC2013	DR	RB



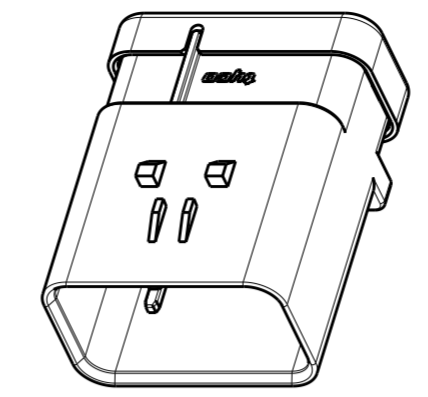
2035560-2
(KEY B)
SCALE 2:1



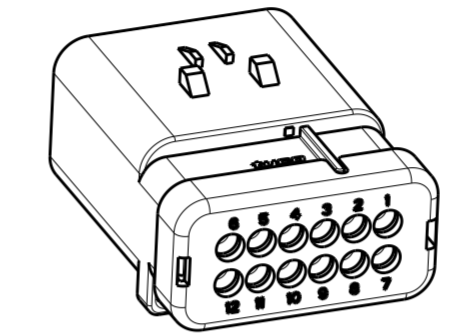
2035560-3
(KEY C)
SCALE 2:1



2035560-4
(KEY D)
SCALE 2:1

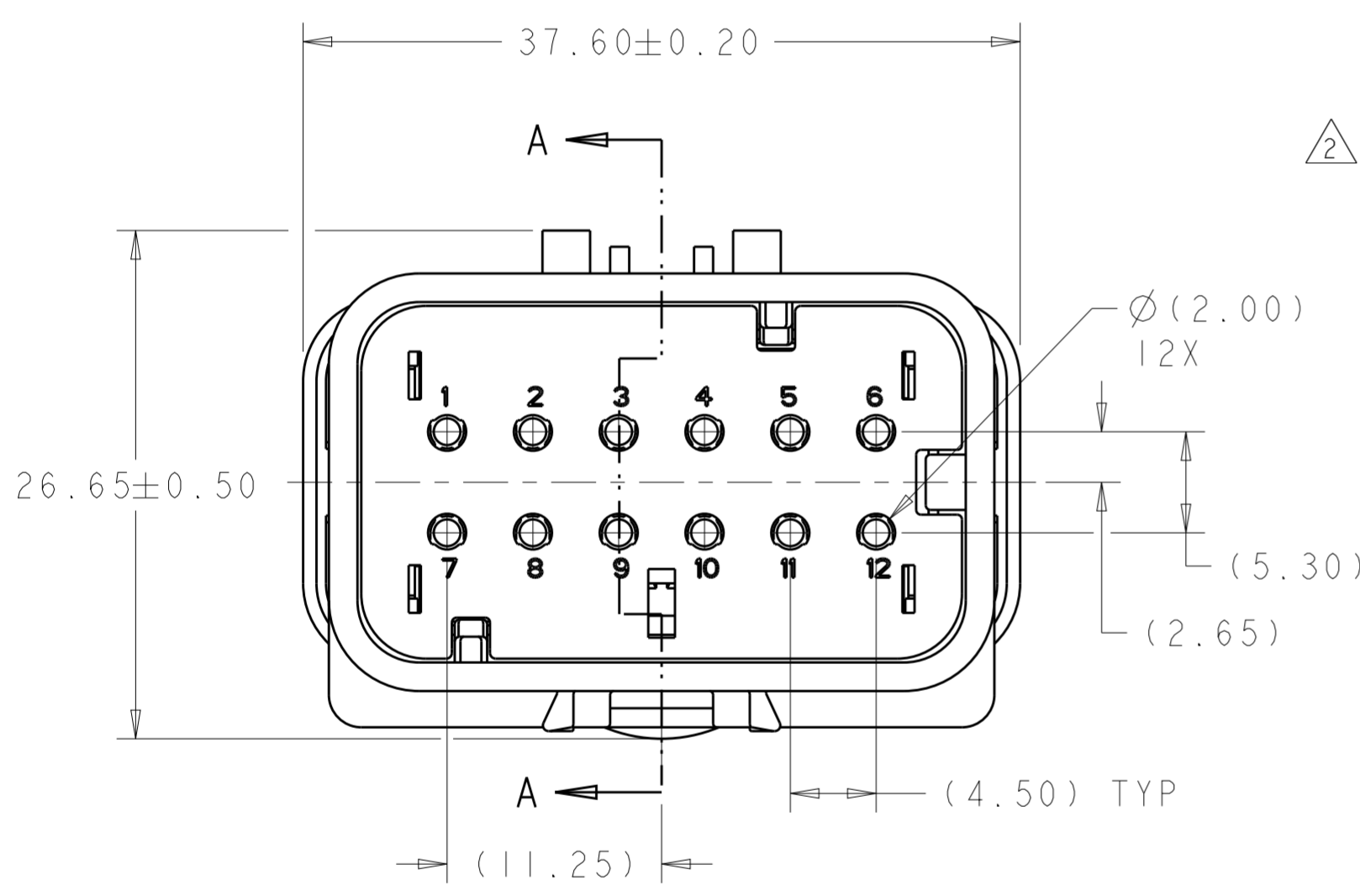


SCALE 1:1

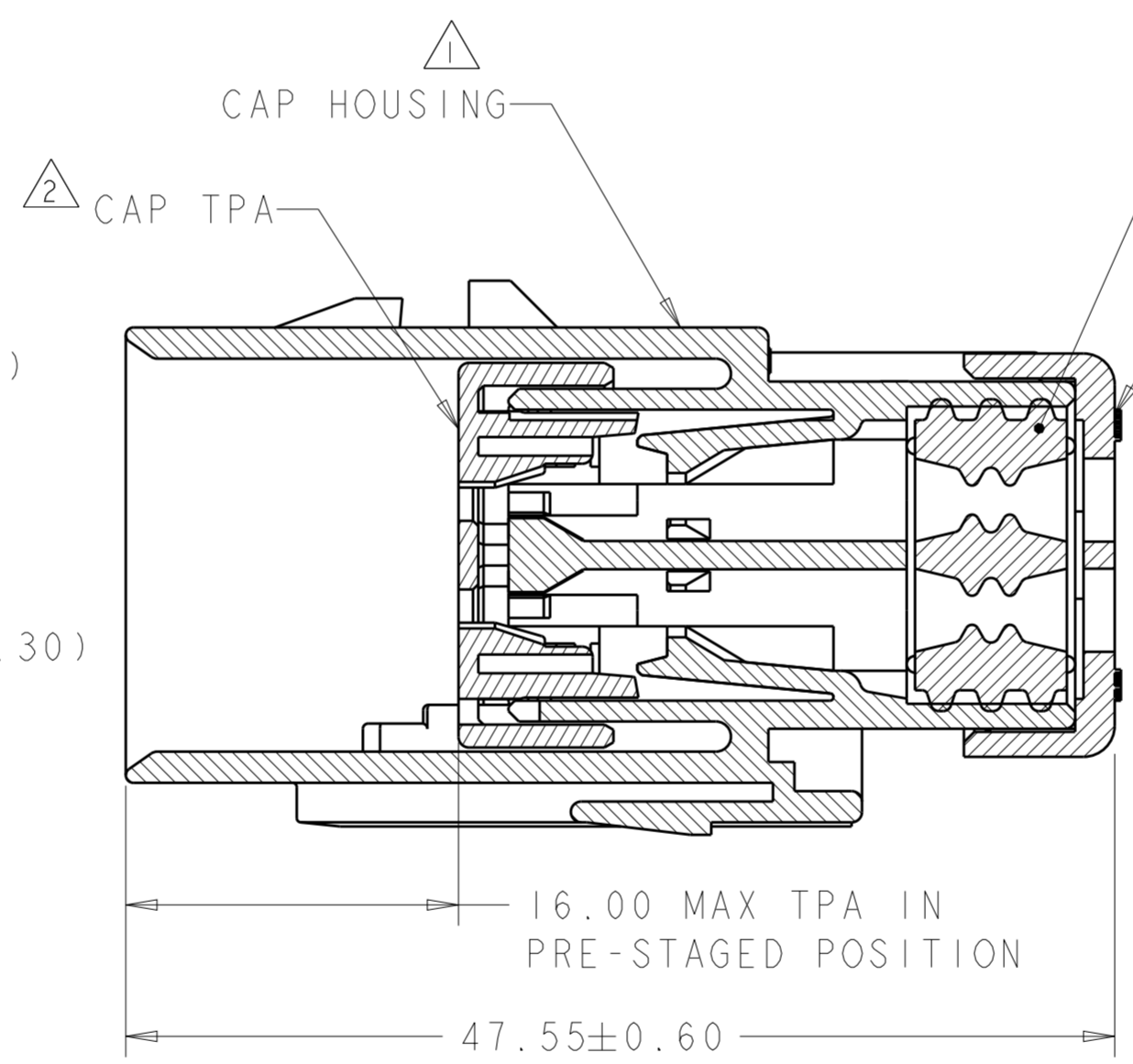


SCALE 1:1

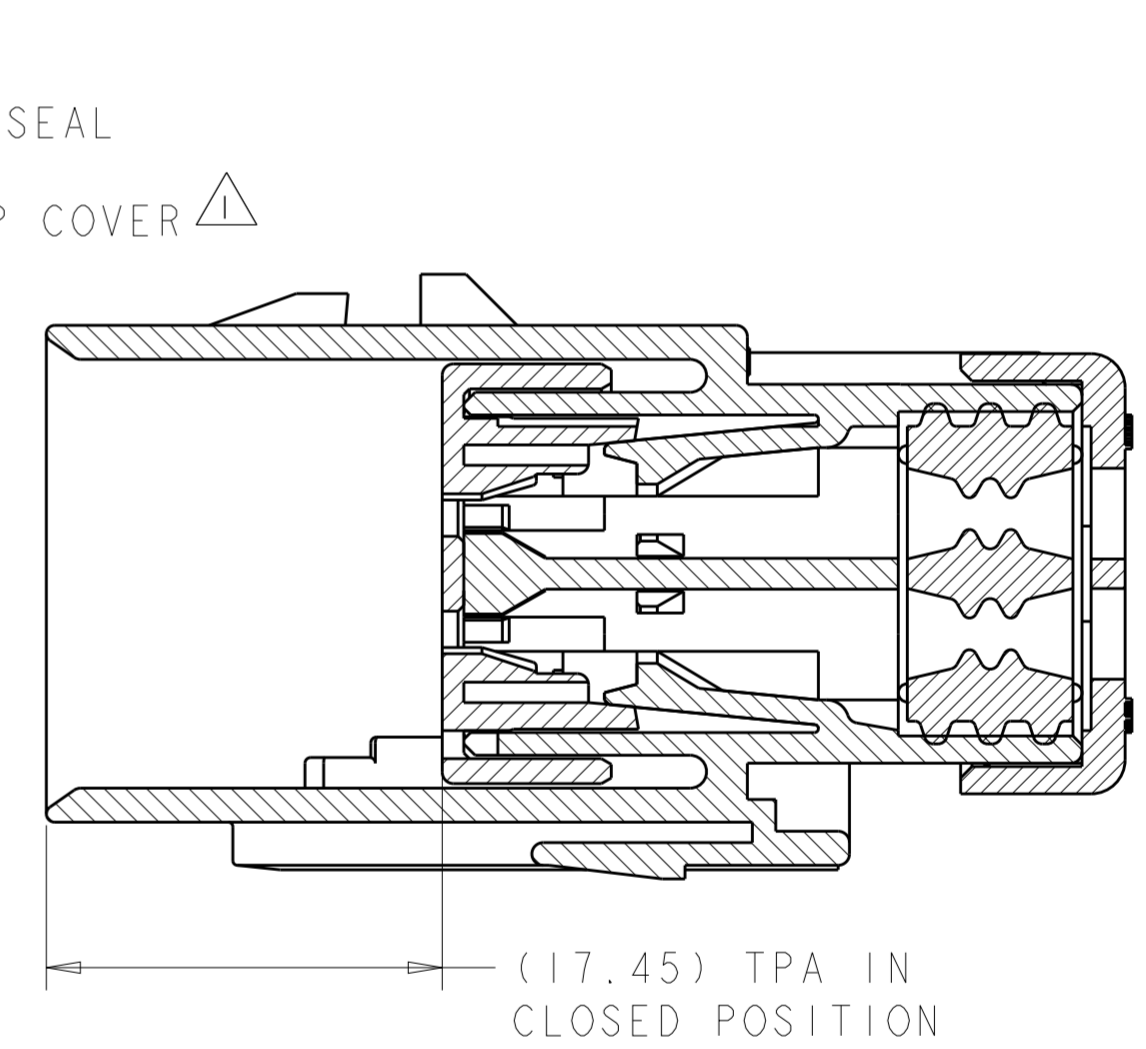
- 1 MATERIAL: 25% GLASS FILLED, NYLON 6/6, VO
COLOR: NATURAL (BROWN)
- 2 MATERIAL: 20% GLASS FILLED, PBT, VO
COLOR: (SEE TABLE)
- 3 MATERIAL: SILICONE
COLOR: GREEN
- 4. RECOMMENDED WIRE DIAMETER RANGE:
2.18 TO 3.67mm.



2035560-1 SHOWN
(KEY A)



SECTION A-A



SECTION A-A

TAN	D	2035560-4
BLUE	C	2035560-3
PURPLE	B	2035560-2
ORANGE	A	2035560-1
TPA COLOR	KEY	PART NUMBER

THIS DRAWING IS A CONTROLLED DOCUMENT.		DWN DI DRUMMOND 10FEB2009	TE Connectivity	
DIMENSIONS: mm		CHK R. BALTER 10FEB2009		
TOLERANCES UNLESS OTHERWISE SPECIFIED:		APVD R. BALTER 10FEB2009	NAME CAP ASSEMBLY, 12 POSITION, DUAL ROW, AMPSEAL 16, VO	
0 PLC ±		PRODUCT SPEC 108-2184	SIZE CAGE CODE DRAWING NO RESTRICTED TO	
1 PLC ±		APPLICATION SPEC 114-13065	A200779 C-2035560	
2 PLC ±0.20		WEIGHT 22.5±1g	SCALE 2:1 SHEET 1 OF 1 REV B	
3 PLC ±		CUSTOMER DRAWING		
4 PLC ±				
ANGLES ±				
FINISH -				