



Chipsmall Limited consists of a professional team with an average of over 10 year of expertise in the distribution of electronic components. Based in Hongkong, we have already established firm and mutual-benefit business relationships with customers from,Europe,America and south Asia,supplying obsolete and hard-to-find components to meet their specific needs.

With the principle of “Quality Parts,Customers Priority,Honest Operation,and Considerate Service”,our business mainly focus on the distribution of electronic components. Line cards we deal with include Microchip,ALPS,ROHM,Xilinx,Pulse,ON,Everlight and Freescale. Main products comprise IC,Modules,Potentiometer,IC Socket,Relay,Connector.Our parts cover such applications as commercial,industrial, and automotives areas.

We are looking forward to setting up business relationship with you and hope to provide you with the best service and solution. Let us make a better world for our industry!



## Contact us

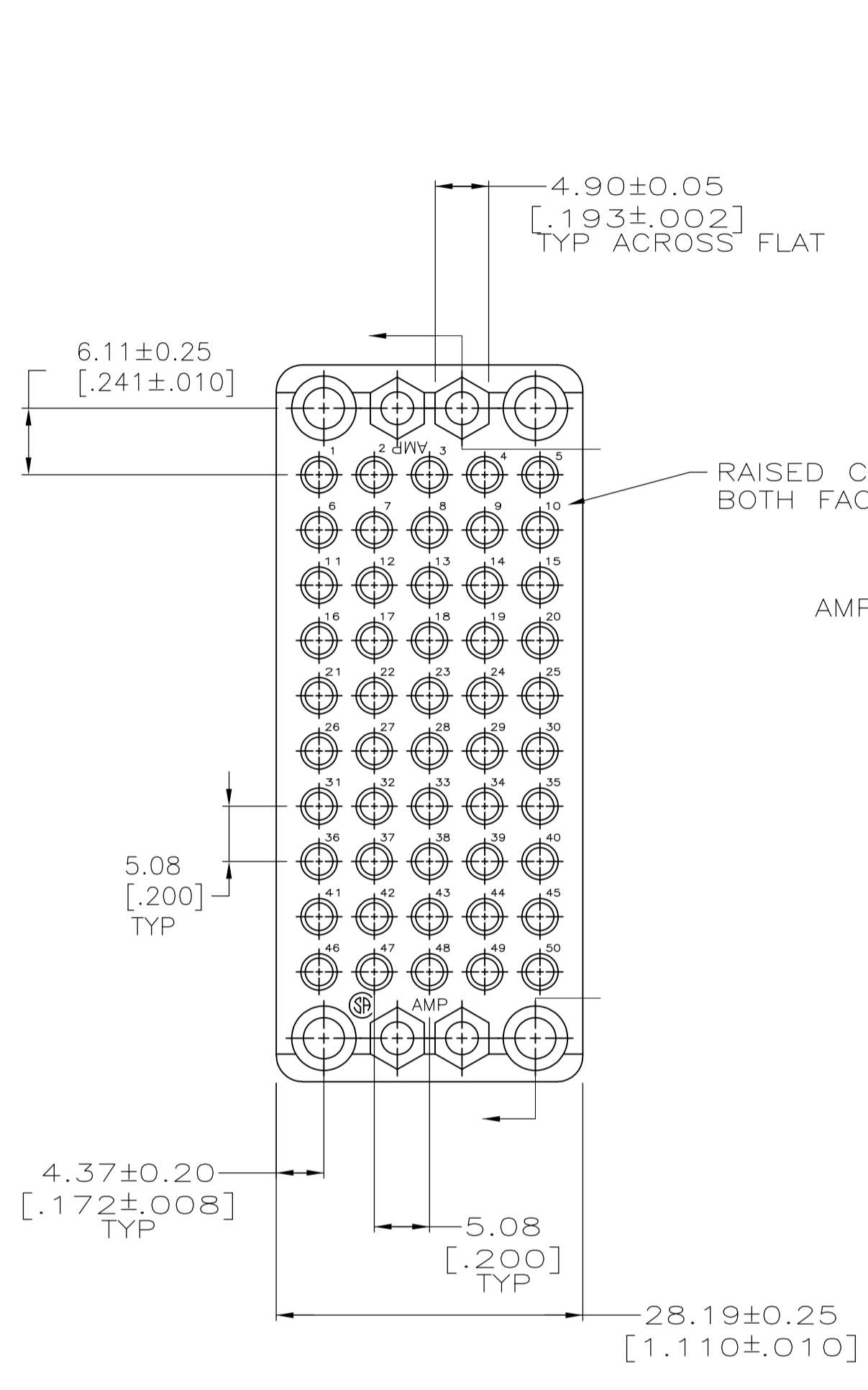
Tel: +86-755-8981 8866 Fax: +86-755-8427 6832

Email & Skype: info@chipsmall.com Web: www.chipsmall.com

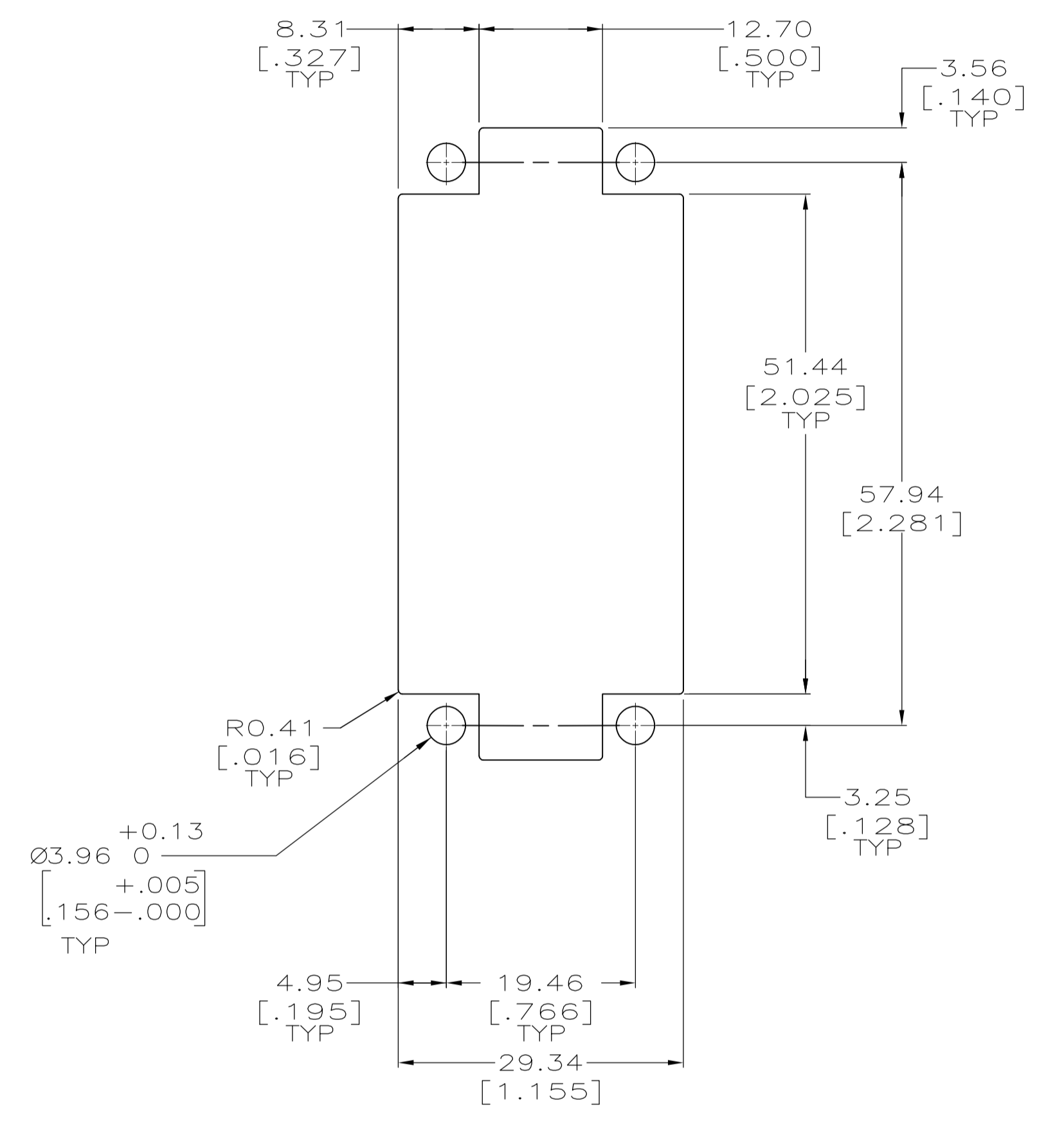
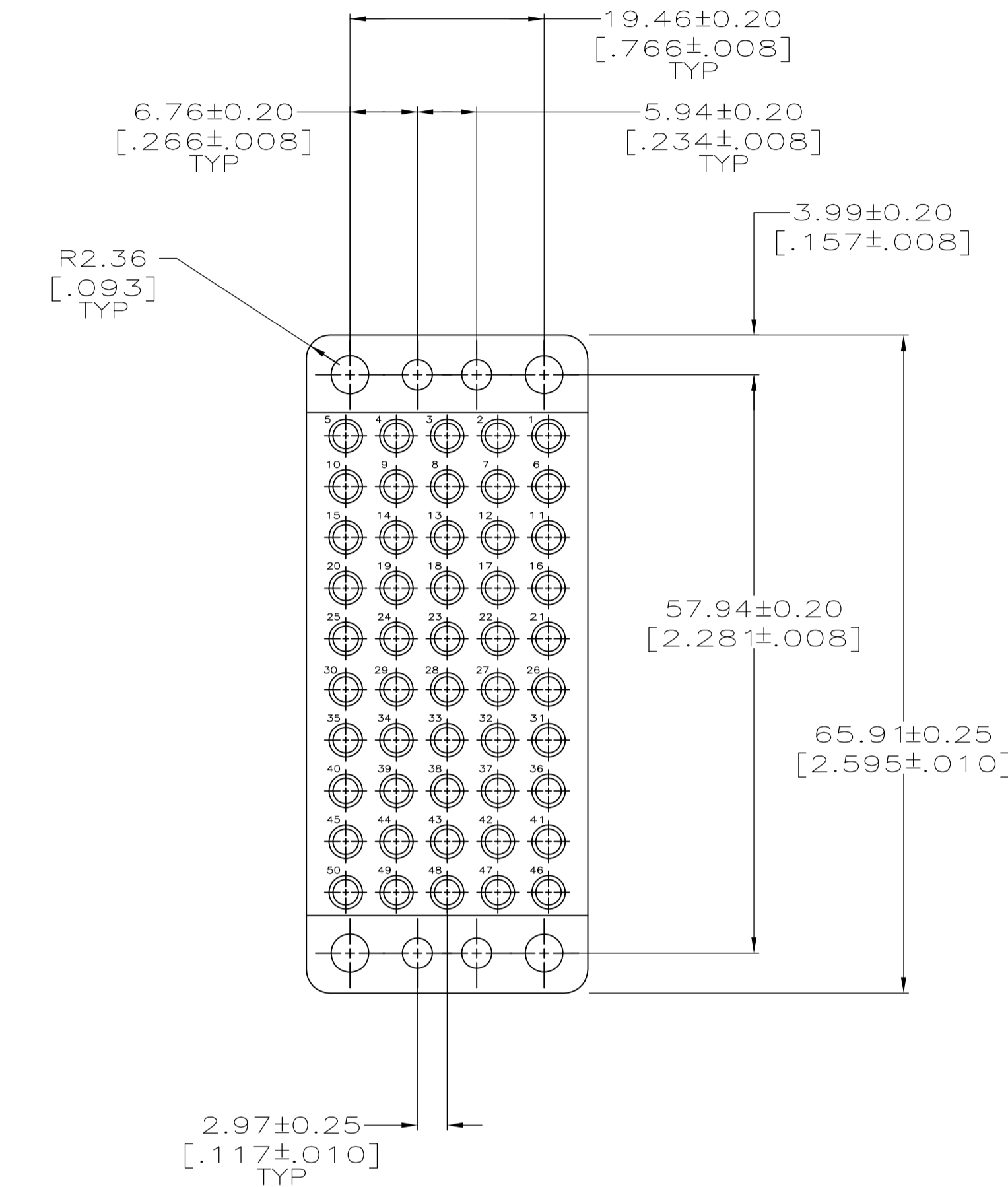
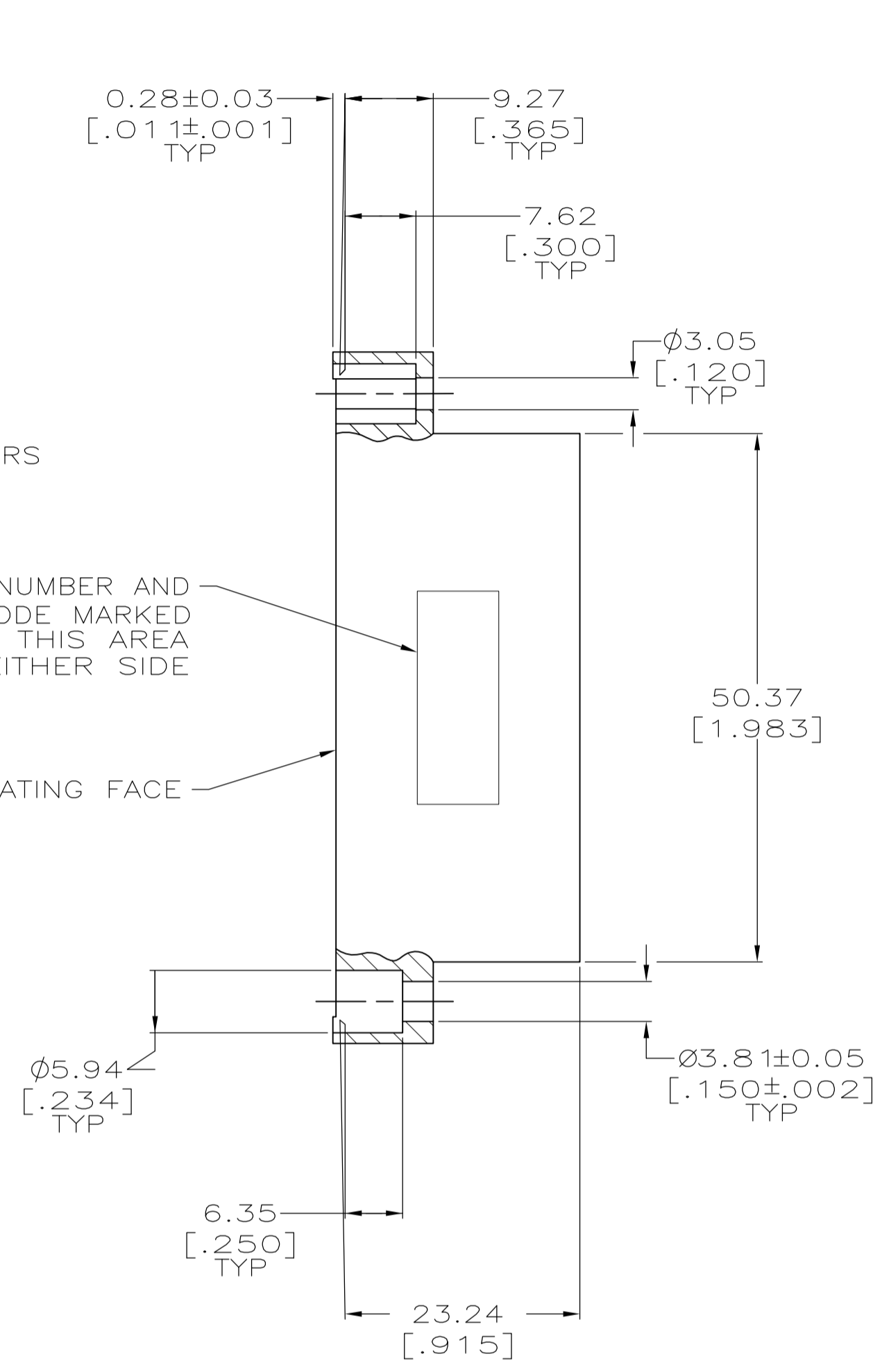
Address: A1208, Overseas Decoration Building, #122 Zhenhua RD., Futian, Shenzhen, China



LOC		DIST		REVISIONS			
P	LTR	DESCRIPTION	DATE	DN	APVD		
H		REVISED PER ECO-07-029096	12/13/07	SS	GS		



RAISED CHARACTERS BOTH FACES  
 AMP, PART NUMBER AND DATE CODE MARKED IN THIS AREA EITHER SIDE  
 MATING FACE



RECOMMENDED PANEL CUTOUT

1. MATES WITH 203621 AND ACCOMMODATES TYPE II OR 111+ #16 CONTACTS OR TYPE II OR III+ 16 SOCKETS.

203622-2  
 PART NUMBER

THIS DRAWING IS A CONTROLLED DOCUMENT.		DIN C. OBERMAN 15 OCT 97		Tyco Electronics Tyco Electronics Corporation Harrisburg, PA 17105-3608	
DIMENSIONS: mm [INCHES]		CHK R. STONE 23 OCT 97		APVD G. STEINHÄUER 13 JAN 98	
TOLERANCES UNLESS OTHERWISE SPECIFIED:		PRODUCT SPEC		NAME HOUSING, PLUG, 50 POSITION, M SERIES	
0. PLC ± -		APPLICATION SPEC		SIZE CAGE CODE DRAWING NO	
1. PLC ± -		WEIGHT		A1 00779 C=203622	
2. PLC ± 0.13 [.005]		CUSTOMER DRAWING		SCALE 2:1 SHEET 1 OF 1 REV H	
3. PLC ± -					
4. PLC ± -					
ANGLES ± -					
MATERIAL PHENOLIC, BLACK		FINISH -			