



Chipsmall Limited consists of a professional team with an average of over 10 year of expertise in the distribution of electronic components. Based in Hongkong, we have already established firm and mutual-benefit business relationships with customers from,Europe,America and south Asia,supplying obsolete and hard-to-find components to meet their specific needs.

With the principle of “Quality Parts,Customers Priority,Honest Operation,and Considerate Service”,our business mainly focus on the distribution of electronic components. Line cards we deal with include Microchip,ALPS,ROHM,Xilinx,Pulse,ON,Everlight and Freescale. Main products comprise IC,Modules,Potentiometer,IC Socket,Relay,Connector.Our parts cover such applications as commercial,industrial, and automotives areas.

We are looking forward to setting up business relationship with you and hope to provide you with the best service and solution. Let us make a better world for our industry!



Contact us

Tel: +86-755-8981 8866 Fax: +86-755-8427 6832

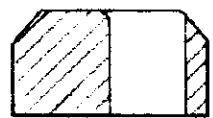
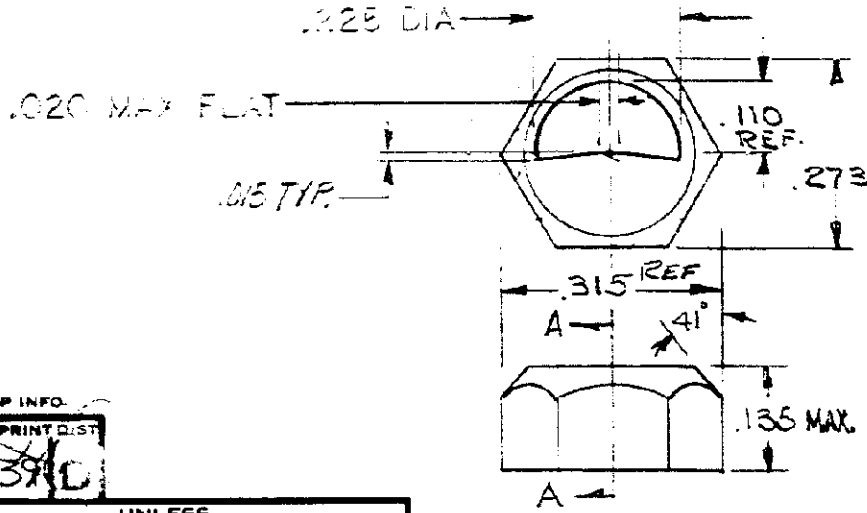
Email & Skype: info@chipsmall.com Web: www.chipsmall.com

Address: A1208, Overseas Decoration Building, #122 Zhenhua RD., Futian, Shenzhen, China



© 1968 BY AMP INCORPORATED. ALL RIGHTS RESERVED. AMP PRODUCTS COVERED BY PATENTS AND/OR PATENTS PENDING.

REVISIONS			
	DESCRIPTION	DATE	APPO
01	REV. PER ECN C-433	8-31-73	CMS
A	REV. PER G-322	7/10/77	EMT
B	REV. / ECN G-627	10-26-79	EMT
C	REV. PER ECN R-246	2-2-74	EMT
D	REV. PER ECN R-3030	7-27-87	EMT



SECT. A-A.

AMP INFO
 LOC PRINT DIST
 R 3910

UNLESS OTHERWISE SPECIFIED
 DIMENSIONS ARE IN INCHES
 TOLERANCES ON
 FRACTIONS DECIMALS ANGLES
 ± .005 ± .005 ± 2°
 MATERIAL
 ALUMINUM ALLOY
 HEAT TREAT
 FINISH YELLOW CHROMATE
 OVER CAD PLATE

203758-2 AS SHOWN

SIGNATURE	DATE
DR <i>R. M. ...</i>	4-15-69
CHK <i>R. M. ...</i>	4-24-68
DSGN ENGR <i>R. M. ...</i>	4-24-68
APPO <i>R. M. ...</i>	4/24/68

AMP AMP INCORPORATED
 HARRISBURG, PENNSYLVANIA

NAME
 KEYING INSERT

DSGN APPO	CODE IDENT NO	SIZE	NUMBER
OTHER APPO	00779	A	203758
SCALE 4-1	WT	CALC	ACTUAL
			SHEET 1 OF 1