



Chipsmall Limited consists of a professional team with an average of over 10 year of expertise in the distribution of electronic components. Based in Hongkong, we have already established firm and mutual-benefit business relationships with customers from,Europe,America and south Asia,supplying obsolete and hard-to-find components to meet their specific needs.

With the principle of “Quality Parts,Customers Priority,Honest Operation,and Considerate Service”,our business mainly focus on the distribution of electronic components. Line cards we deal with include Microchip,ALPS,ROHM,Xilinx,Pulse,ON,Everlight and Freescale. Main products comprise IC,Modules,Potentiometer,IC Socket,Relay,Connector.Our parts cover such applications as commercial,industrial, and automotives areas.

We are looking forward to setting up business relationship with you and hope to provide you with the best service and solution. Let us make a better world for our industry!



## Contact us

Tel: +86-755-8981 8866 Fax: +86-755-8427 6832

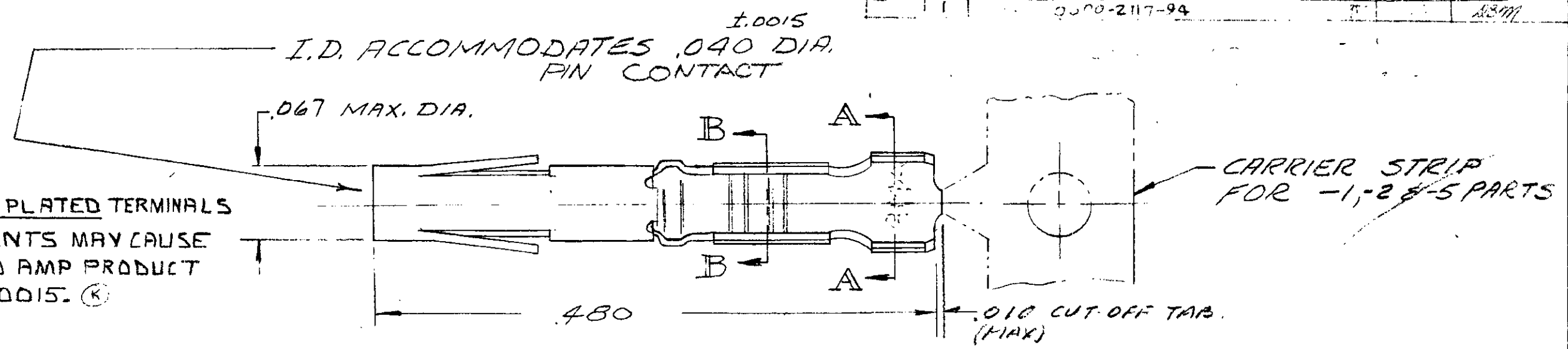
Email & Skype: info@chipsmall.com Web: www.chipsmall.com

Address: A1208, Overseas Decoration Building, #122 Zhenhua RD., Futian, Shenzhen, China

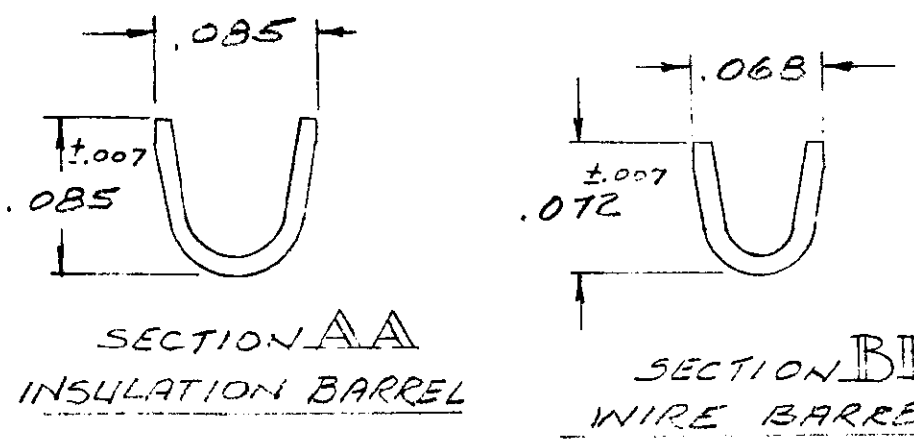


© 1967 BY AMP INCORPORATED. ALL RIGHTS RESERVED. AMP PRODUCTS COVERED BY PATENTS AND/OR PATENTS PENDING.

ZONE		LTR	REVISIONS	DATE	APPROVED
	R		REV. PER E.C.N. DF 0378	5-6-68	[Signature]
	S		REV. OF 0501	7-88	[Signature]
			0500-2117-94		[Signature]



⚠ CAUTION: USE OF TIN PLATED TERMINALS IN CERTAIN ENVIRONMENTS MAY CAUSE NON-CONFORMANCE TO AMP PRODUCT SPECIFICATION 108-10015. (K)



□ INDICATES WIRE RANGE OF 20, 22 & 24 AWG.  
 WIRE RANGE: 20, 22, & 24 AWG.  
 INSULATION RANGE: .062 MAX.  
 HAND TOOL: AMP # 90260-1.  
 EXTRACTION TOOL: AMP # 91038-3.  
 INSERTION TOOL: AMP # 91042-1.

203802-7 **OBsolete** EXCEPT:  
 1. SELECTIVELY PLATED .000015 GOLD OVER .000050 NICKEL.  
 203802-8 **OBsolete** EXCEPT:  
 1. THIS IS A LOOSE PIECE PART.

- 203802-1 1. AS SHOWN:  
 2. STRIP PART  
 3. BODY - BRASS, .000030 AU/.00005 NI.  
 1. SLEEVE, STAINLESS STEEL
- 2 1. SAME AS -1, EXCEPT:  
 2. BODY, SELECTIVE .000030 AU/.000050 NI.
- 3 1. SAME AS -1, EXCEPT:  
 2. LOOSE PIECE PART
- 4 1. SAME AS -2, EXCEPT:  
 2. LOOSE PIECE PART
- OBsolete** AS -1, EXCEPT:  
 2. BODY, TIN PLATED (A) (K)
- 5 1. SAME AS -5, EXCEPT:  
 2. LOOSE PIECE PART (A) (K)

- OBsolete** 1. SAME AS -5 EXCEPT:  
 2. REVERSE REELED FOR STANDARD APPLICATOR. (A) (K)
- OBsolete** 1. SAME AS -2 EXCEPT:  
 2. REVERSE REELED FOR STANDARD APPLICATOR.
- OBsolete** 1. SAME AS -3 EXCEPT:  
 2. CUSTOMER PART NO. TO BE MARKED ON INNERMOST PACKAGE.
- OBsolete** 1. SAME AS -1 EXCEPT:  
 2. CUSTOMER PART NO. TO BE MARKED ON INNERMOST PACKAGE.

UNLESS OTHERWISE SPECIFIED DIM. ARE IN INCHES. TOLERANCES ON: DECIMALS ± .005 ANGLES ± °	CONTRACT NO.	AMP INCORPORATED HARRISBURG, PENNSYLVANIA	
	DR W. J. Miller 5-9-67	NAME CONTACT ASSY-SOCKET	
	CHK P. J. Miller 12-15-67	SIZE 20 (20-24 GA)	
	MATERIAL SEE CALLOUT	APPR P. J. Miller 12-15-67	CODE IDENT NO. 00779
AMP INFO	DSGN APPD	SCALE H	WT CALC ACTUAL SHEET
FINISH SEE LAST No.	OTHER APPD R. J. Miller 12-12-67	CUSTOMER DRAWING	