



Chipsmall Limited consists of a professional team with an average of over 10 year of expertise in the distribution of electronic components. Based in Hongkong, we have already established firm and mutual-benefit business relationships with customers from,Europe,America and south Asia,supplying obsolete and hard-to-find components to meet their specific needs.

With the principle of “Quality Parts,Customers Priority,Honest Operation,and Considerate Service”,our business mainly focus on the distribution of electronic components. Line cards we deal with include Microchip,ALPS,ROHM,Xilinx,Pulse,ON,Everlight and Freescale. Main products comprise IC,Modules,Potentiometer,IC Socket,Relay,Connector.Our parts cover such applications as commercial,industrial, and automotives areas.

We are looking forward to setting up business relationship with you and hope to provide you with the best service and solution. Let us make a better world for our industry!



Contact us

Tel: +86-755-8981 8866 Fax: +86-755-8427 6832

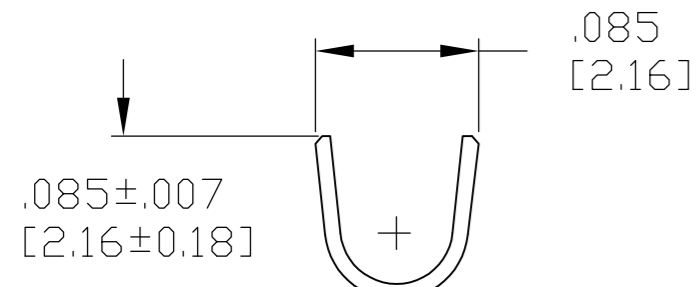
Email & Skype: info@chipsmall.com Web: www.chipsmall.com

Address: A1208, Overseas Decoration Building, #122 Zhenhua RD., Futian, Shenzhen, China

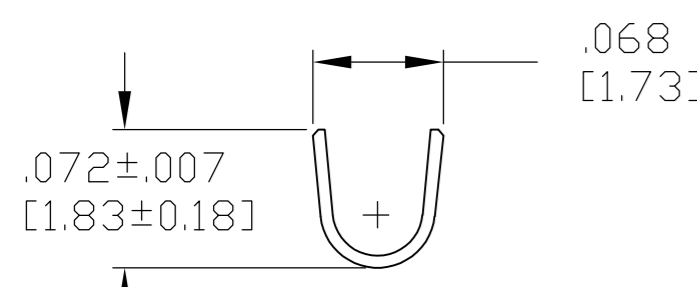


THIS DRAWING IS UNPUBLISHED. RELEASED FOR PUBLICATION - N/A .
 © COPYRIGHT N/A By - ALL RIGHTS RESERVED.

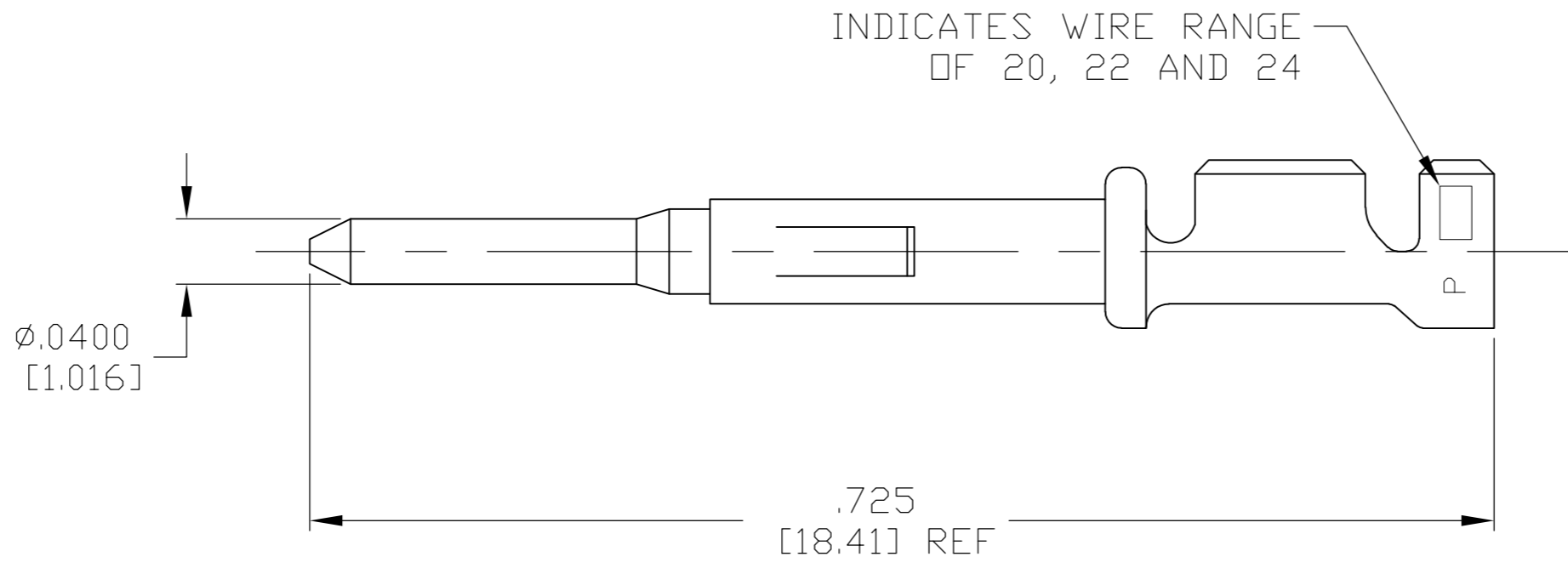
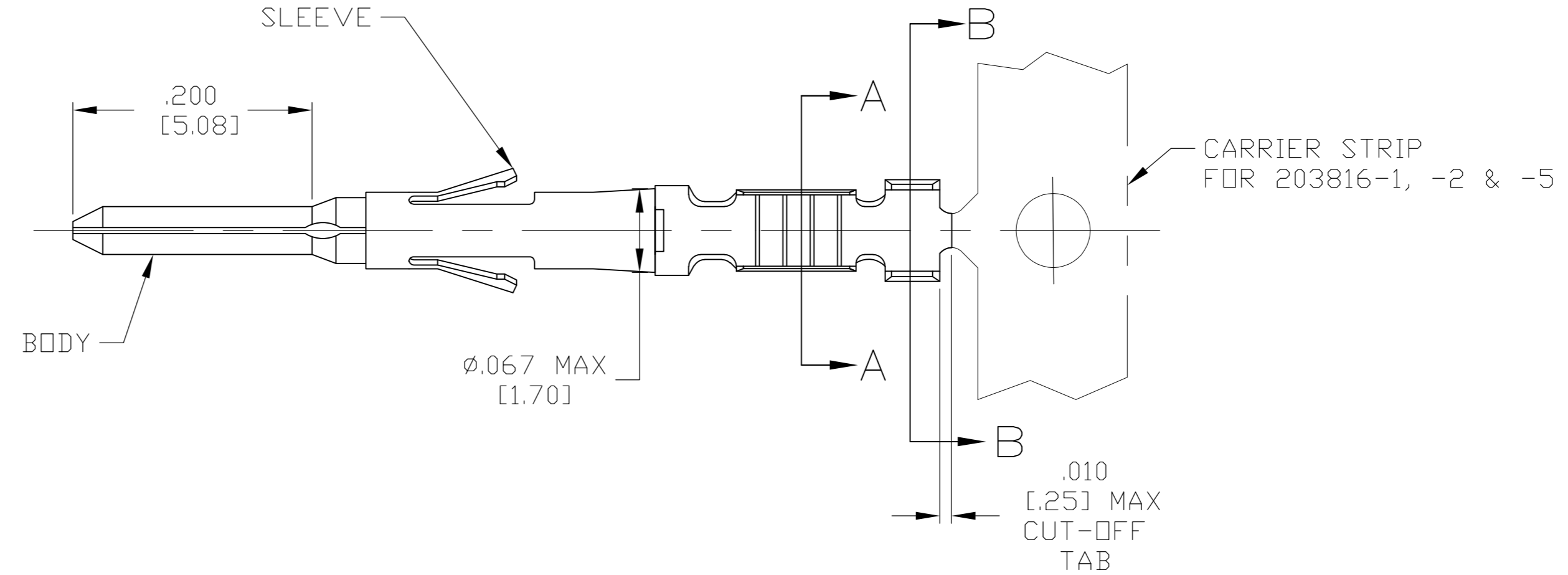
LOC	DIST	REVISIONS					
DF	A5	P	LTR	DESCRIPTION	DATE	DWN	APVD
		Y		REV PER ECO-11-011391	13JUL11	PY	DM



SECTION B-B
INSULATION BARREL



SECTION A-A
WIRE BARREL



- 1 MATERIAL: BODY: BRASS PER ASTM-B-19
SLEEVE: STAINLESS STEEL PER ASTM-A-240.
- 2 FINISH: .000030 MIN THK GOLD PER ASTM-B-488
OVER .000050 MIN THK NICKEL PER AMS-QQ-N-290.
- 3 FINISH: SELECTIVE .000030 MIN THK GOLD PER ASTM-B-488
OVER .000050 MIN THK NICKEL PER AMS-QQ-N-290.
- 4 FINISH: .000150 MIN TIN OVER NICKEL FLASH.
CAUTION: USE OF TIN PLATED TERMINALS IN CERTAIN
ENVIRONMENT MAY CAUSE NON-COMFORMANCE TO TYCO
PRODUCT SPECIFICATION 108-10015.
- 5. WIRE RANGE: 20, 22 & 24 AWG
INSULATION RANGE: .062 MAX.
HAND CRIMPING TOOL: TYCO P/N 90260-1
EXTRACTION TOOL: TYCO P/N 91038-3
INSERTION TOOL: TYCO P/N 91042-1
- 6. PART NUMBERS 203816-7 THRU 1-203816-6 ARE OBSOLETE.

	LOOSE PIECE	4	1	203816-6
	ON STRIP	4	1	203816-5
	LOOSE PIECE	3	1	203816-4
OBSOLETE	LOOSE PIECE	2	1	203816-3
	ON STRIP	3	1	203816-2
OBSOLETE	ON STRIP	2	1	203816-1
	REMARKS	FINISH	MATERIAL	PART NO.

THIS DRAWING IS A CONTROLLED DOCUMENT.

DIMENSIONS: INCHES	TOLERANCES UNLESS OTHERWISE SPECIFIED:	DWN C.C.THOMAS 3-29-05	
	0 PLC ± -	CHK D.MILLER 3-29-05	
	1 PLC ± -	APVD D.MILLER 3-29-05	
	2 PLC ± -	PRODUCT SPEC	
	3 PLC ± .005 [0.13]	APPLICATION SPEC	
MATERIAL SEE TABLE	FINISH SEE TABLE	NAME	RESTRICTED TO
		TE Connectivity	
		PIN CONTACT ASSY, SIZE 20 (20-24 AWG)	
		SIZE A2 CAGE CODE 00779 DRAWING NO C-203816	
		CUSTOMER DRAWING	SCALE 10:1 SHEET 1 of 1 REV Y