



Chipsmall Limited consists of a professional team with an average of over 10 year of expertise in the distribution of electronic components. Based in Hongkong, we have already established firm and mutual-benefit business relationships with customers from,Europe,America and south Asia,supplying obsolete and hard-to-find components to meet their specific needs.

With the principle of “Quality Parts,Customers Priority,Honest Operation,and Considerate Service”,our business mainly focus on the distribution of electronic components. Line cards we deal with include Microchip,ALPS,ROHM,Xilinx,Pulse,ON,Everlight and Freescale. Main products comprise IC,Modules,Potentiometer,IC Socket,Relay,Connector.Our parts cover such applications as commercial,industrial, and automotives areas.

We are looking forward to setting up business relationship with you and hope to provide you with the best service and solution. Let us make a better world for our industry!



## Contact us

Tel: +86-755-8981 8866 Fax: +86-755-8427 6832

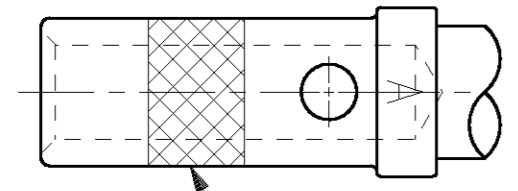
Email & Skype: info@chipsmall.com Web: www.chipsmall.com

Address: A1208, Overseas Decoration Building, #122 Zhenhua RD., Futian, Shenzhen, China

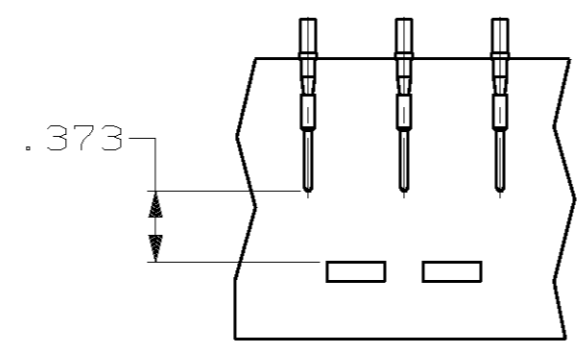


THIS DRAWING IS UNPUBLISHED. RELEASED FOR PUBLICATION .19  
 © COPYRIGHT 19 BY AMP INCORPORATED. ALL RIGHTS RESERVED.

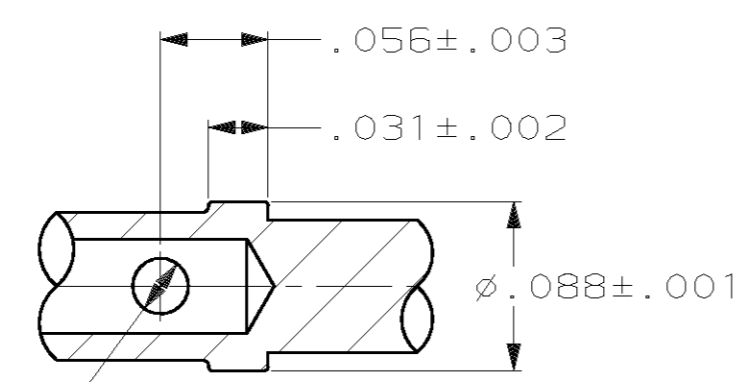
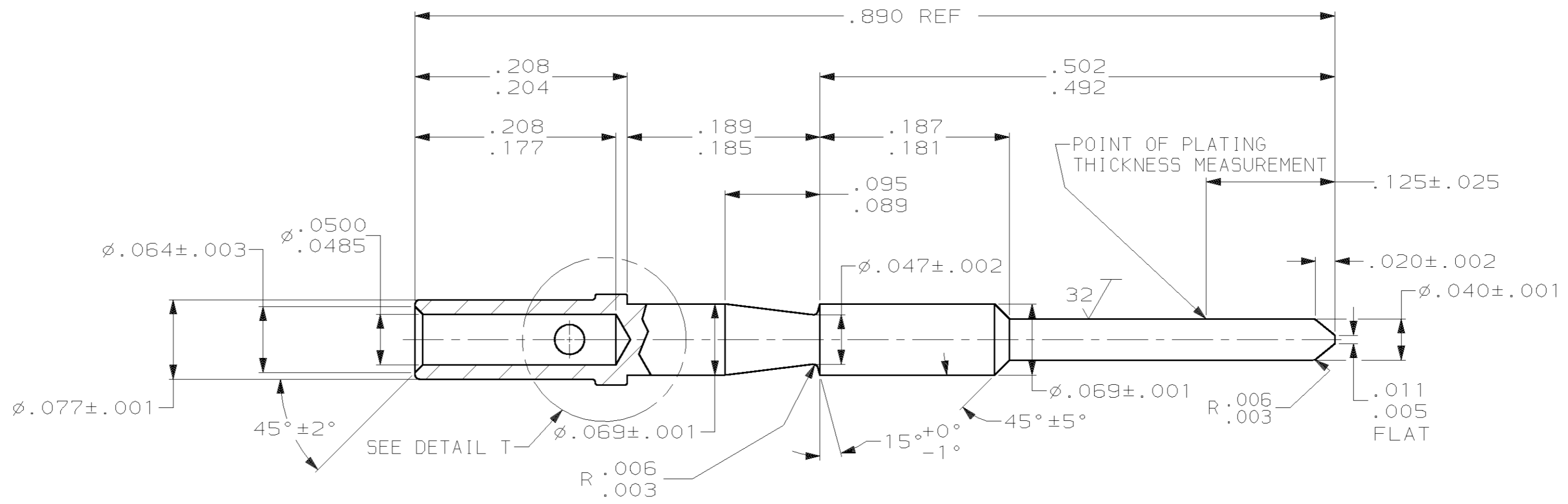
LOC	DIST	REVISIONS					
DF	AO	P	LTR	DESCRIPTION	DATE	DWN	APVD
		J		REV & REDRAWN; 0600-8098-98	7-99	CT	BG



COLOR CODE GREEN



TAPE MOUNTED ASS'Y  
 SCALE 1:1  
 203840-3 ONLY



DETAIL T

OBSELETE	TAPE MOUNTED	203840-3
	AS SHOWN	203840-2
REMARKS	PART NUMBER	

THIS DRAWING IS A CONTROLLED DOCUMENT.		DWN	C.C. THOMAS	7-26-99
DIMENSIONS: INCHES		CHK	B. GROSS	7-27-99
TOLERANCES UNLESS OTHERWISE SPECIFIED:		APVD	B. GROSS	7-27-99
0 PLC $\pm$		WIRE RANGE	20-24	
1 PLC $\pm$		APPLICATION SPEC	-	
2 PLC $\pm$		WEIGHT	-	
3 PLC $\pm .005$		CUSTOMER DRAWING	SCALE	10:1
4 PLC $\pm$		FINISH	.000050 MIN GOLD PER MIL-6-45204 OVER COPPER	
ANGLES $\pm$		SIZE	A2	00779
MATERIAL: COPPER PER ASTM-B-301		CAGE CODE	C-203840	
DRAWING NO		RESTRICTED TO	-	
NAME		SHEET	1	OF 1
CONTACT, PIN, SIZE 20, ARINC 404		REV	J	