



Chipsmall Limited consists of a professional team with an average of over 10 year of expertise in the distribution of electronic components. Based in Hongkong, we have already established firm and mutual-benefit business relationships with customers from,Europe,America and south Asia,supplying obsolete and hard-to-find components to meet their specific needs.

With the principle of “Quality Parts,Customers Priority,Honest Operation,and Considerate Service”,our business mainly focus on the distribution of electronic components. Line cards we deal with include Microchip,ALPS,ROHM,Xilinx,Pulse,ON,Everlight and Freescale. Main products comprise IC,Modules,Potentiometer,IC Socket,Relay,Connector.Our parts cover such applications as commercial,industrial, and automotives areas.

We are looking forward to setting up business relationship with you and hope to provide you with the best service and solution. Let us make a better world for our industry!



Contact us

Tel: +86-755-8981 8866 Fax: +86-755-8427 6832

Email & Skype: info@chipsmall.com Web: www.chipsmall.com

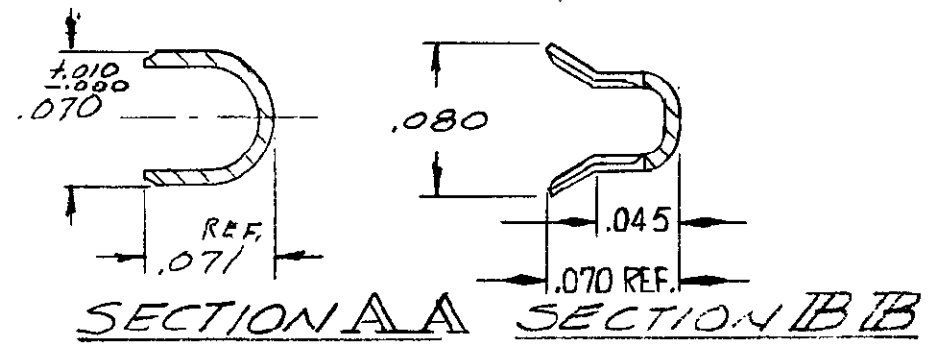
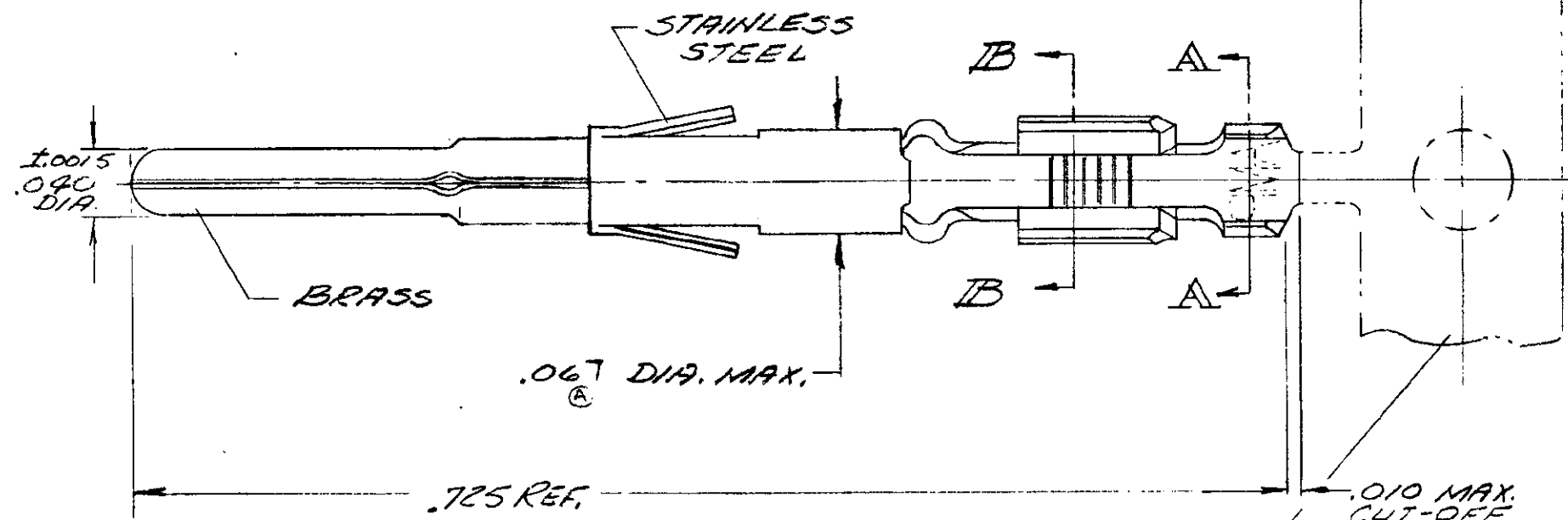
Address: A1208, Overseas Decoration Building, #122 Zhenhua RD., Futian, Shenzhen, China



NUMBER 203874

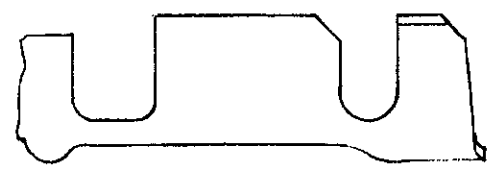
©1968 BY AMP INCORPORATED. ALL RIGHTS RESERVED. AMP PRODUCTS COVERED BY PATENTS AND/OR PATENTS PENDING.

REVISIONS				
ZONE	LTR	DESCRIPTION	DATE	APPROVED
	R	REV: EPN DF-057	7-88	
	S	REV: ECN DF-1069	10-89	SPM
	T			ABM



- 203874-1 1. AS SHOWN
2. STRIP PART
3. BODY-BRASS, .000030 GOLD/NI. .000050. SLEEVE, STAINLESS STEEL.
- 203874-2 1. SAME AS -1, EXCEPT:
2. BODY, SELECTIVE .000030 GOLD/NI. .000050.
- 203874-3 1. SAME AS -1, EXCEPT:
2. LOOSE PIECE PART
- 203874-4 1. SAME AS -2, EXCEPT:
2. LOOSE PIECE PART
- 203874-5 1. SAME AS -1, EXCEPT:
2. BODY SELECTIVELY PLATED .000015 GOLD/NI. .000050.
- 203874-6 1. SAME AS -5, EXCEPT:
2. LOOSE PIECE PART
- 203874-7 1. SAME AS -1 EXCEPT:
2. BODY SELECTIVELY PLATED .000015 GOLD/NI. .000050.
- 203874-8 1. SAME AS -7 EXCEPT:
2. LOOSE PIECE PART.
- 203874-9 1. SAME AS -2 EXCEPT:
2. REVERSE FEELED FOR STANDARD APPLICATOR

CARRIER STRIP FOR -1, -2 & -5 PARTS



WIRE RANGE: 24, 26, 28 & 30 AWG
INSULATION RANGE: .048 MAX.
HAND TOOL: AMP #90223-5
EXTRACTION TOOL: AMP #91038-3
INSERTION TOOL: AMP #91042-1

CAUTION: USE OF TIN PLATED TERMINALS IN CERTAIN ENVIRONMENTS MAY CAUSE NON-CONFORMANCE TO AMP PRODUCT SPECIFICATION 108-10015.

OBSOLETE 1. SAME AS -1 EXCEPT:
2. BODY PLATED .000050 GOLD OVER NICKEL, .000030

OBSOLETE 1. SAME AS -1 EXCEPT:
2. LOOSE PIECE PART.

OBSOLETE 1. SAME AS -3 EXCEPT:
2. CUSTOMER PART NO. TO BE MARKED ON INNER-MOST PACKAGE.

OBSOLETE 1. SAME AS -1 EXCEPT:
2. CUSTOMER PART NO. TO BE MARKED ON INNER-MOST PACKAGE.

UNLESS OTHERWISE SPECIFIED DIM. ARE IN INCHES. TOLERANCES ON: DECIMALS ± .005 ANGLES ± #		CONTRACT NO.		AMP AMP INCORPORATED HARRISBURG, PENNSYLVANIA	
MATERIAL		DR			
SEE DASH NO.		WYCHECK 1-26-68		NAME	
HEAT TREAT		CHK		CONTACT ASSY - PIN	
FINISH		APPD		SIZE	
SEE DASH NO.		M. Leazer 2-5-68		CODE IDENT NO.	
LOC PRIN		DSGN APPD		NUMBER	
DE CO S		OTHER APPD		B 00779 203874	
		K. H. H. 4/6/68		SCALE	
				10-1	
				WT CALC ACTUAL	
				SHEET 1 OF 1	

CUSTOMER DRAWING