



Chipsmall Limited consists of a professional team with an average of over 10 year of expertise in the distribution of electronic components. Based in Hongkong, we have already established firm and mutual-benefit business relationships with customers from,Europe,America and south Asia,supplying obsolete and hard-to-find components to meet their specific needs.

With the principle of “Quality Parts,Customers Priority,Honest Operation,and Considerate Service”,our business mainly focus on the distribution of electronic components. Line cards we deal with include Microchip,ALPS,ROHM,Xilinx,Pulse,ON,Everlight and Freescale. Main products comprise IC,Modules,Potentiometer,IC Socket,Relay,Connector.Our parts cover such applications as commercial,industrial, and automotives areas.

We are looking forward to setting up business relationship with you and hope to provide you with the best service and solution. Let us make a better world for our industry!



Contact us

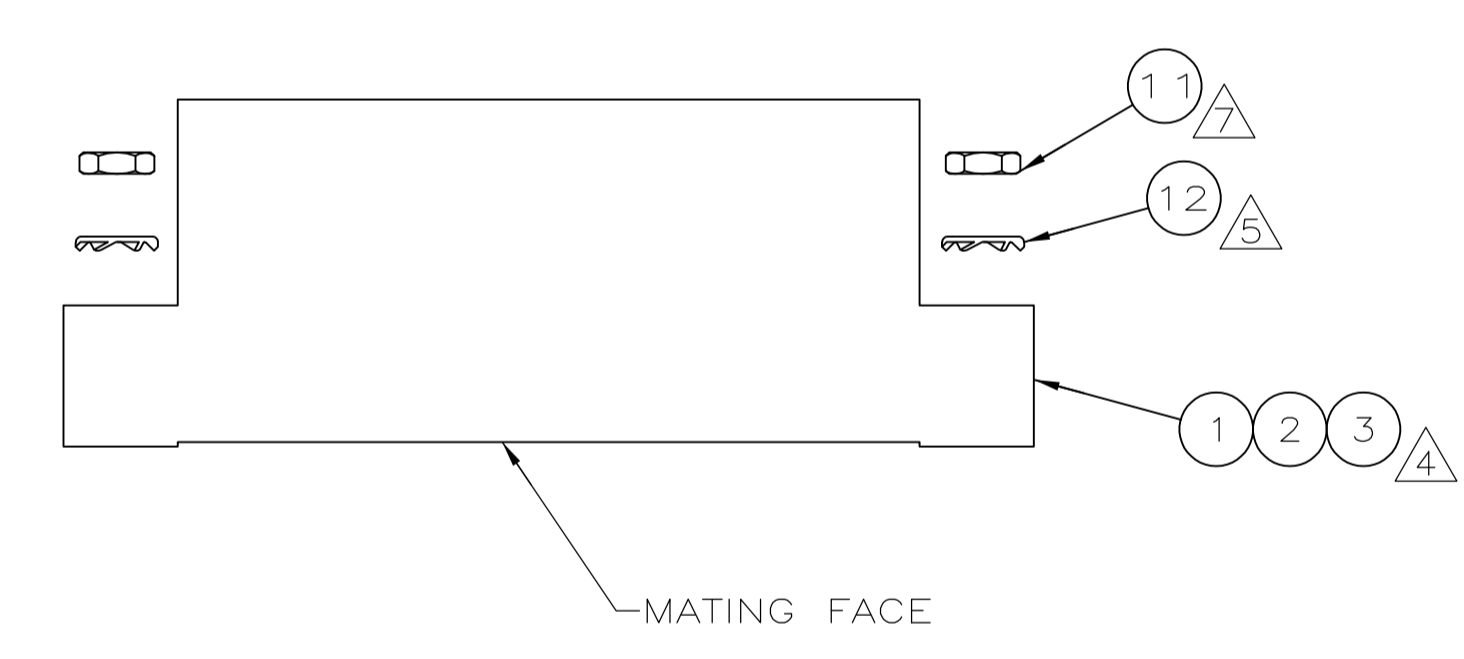
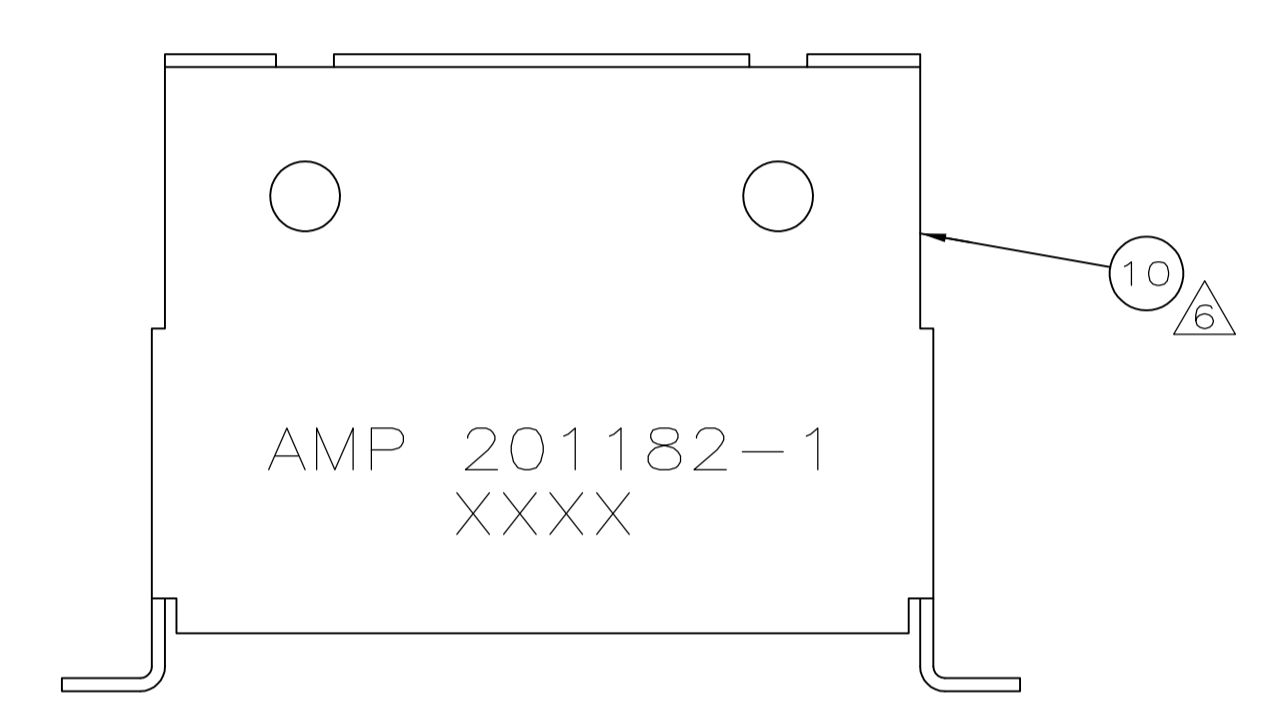
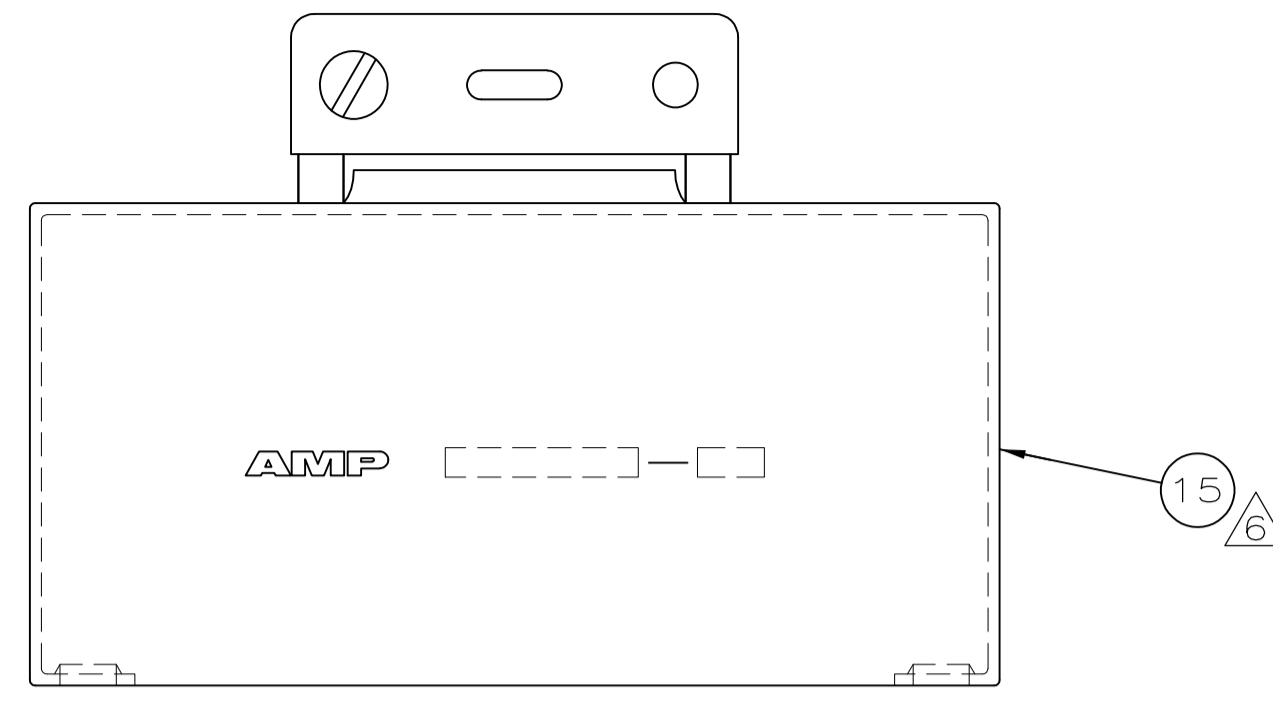
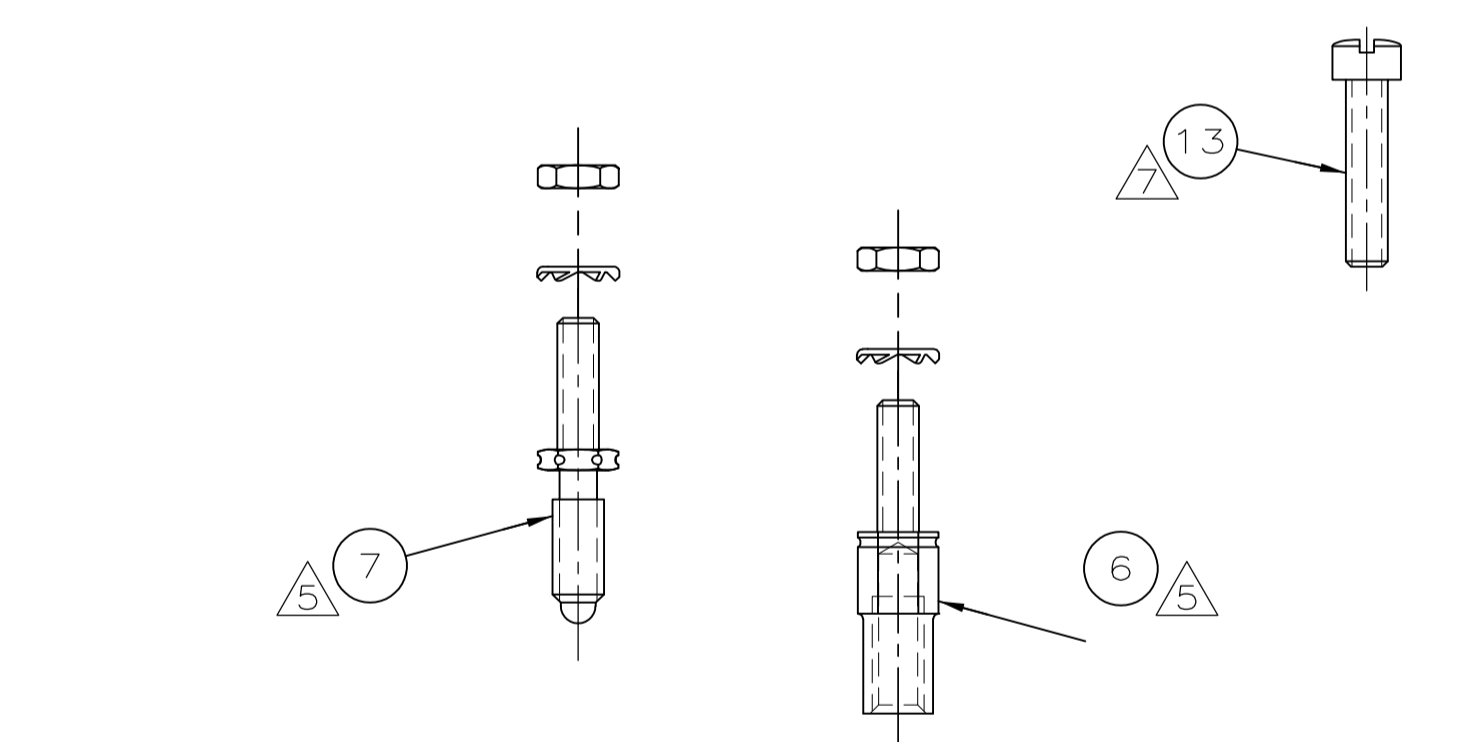
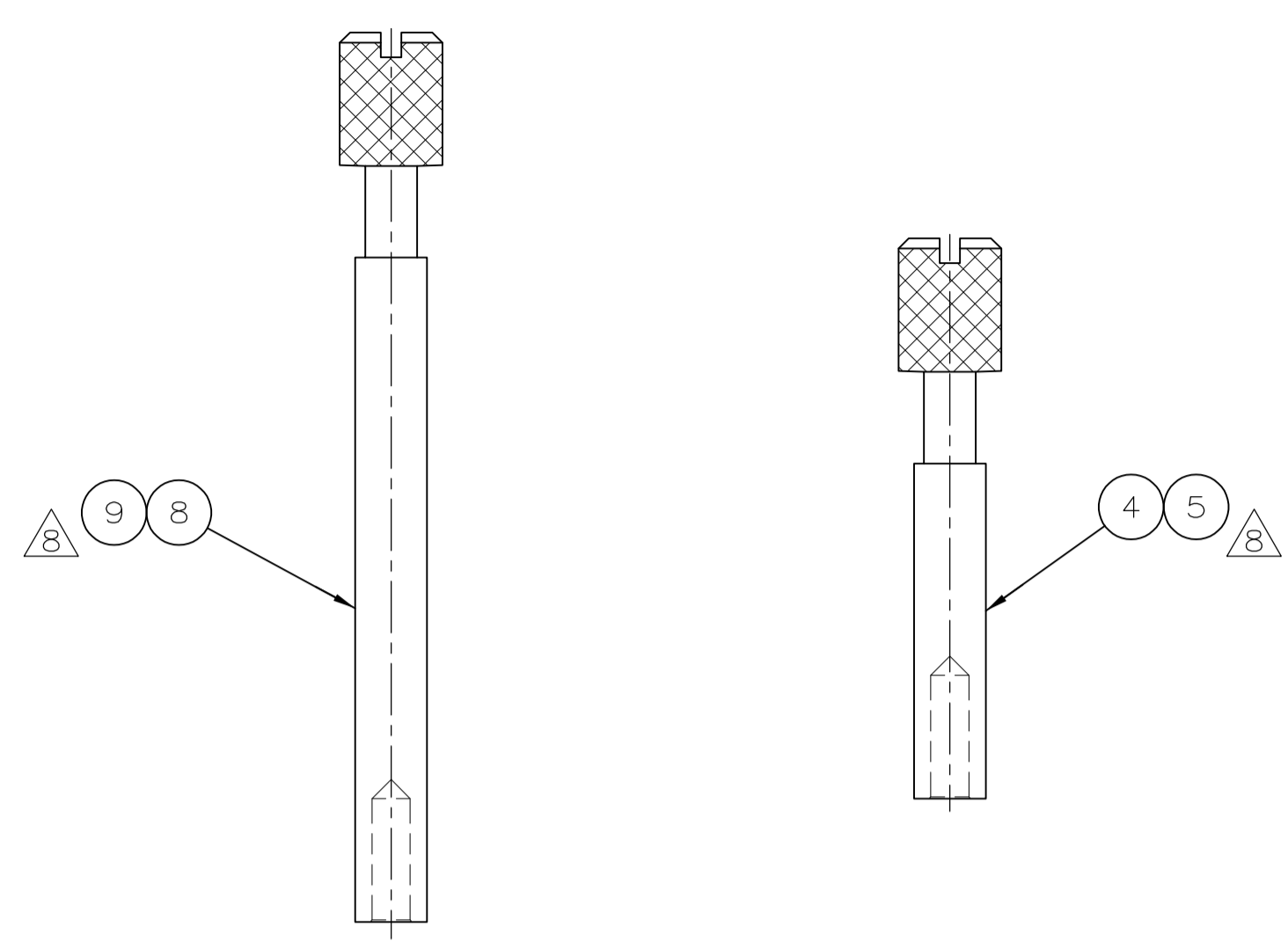
Tel: +86-755-8981 8866 Fax: +86-755-8427 6832

Email & Skype: info@chipsmall.com Web: www.chipsmall.com

Address: A1208, Overseas Decoration Building, #122 Zhenhua RD., Futian, Shenzhen, China

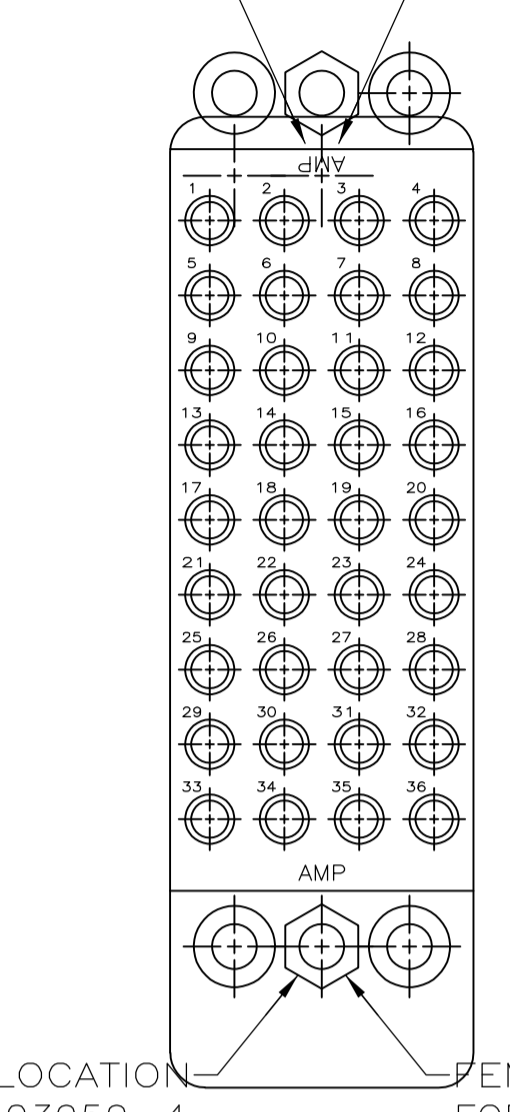


LOC	DIST	P	F	ZONE	LTR	DESCRIPTION	DATE	APPD
FT	8				Y	REDRAWN W/O CHANGE & REV PER EC 0020-307-94	06/03/94	TC
					Z	OBS -13,-14,-15 PER EC 0020-0182-93	11/29/94	RK
					AA	OBS -16 PER EC 0020-1325-94	04/20/95	GS
					AB	REV PER EC 0320-22-98	22JAN98	GS
					AB1	REVISED PER ECO-09-020935	09SEP09	AEG



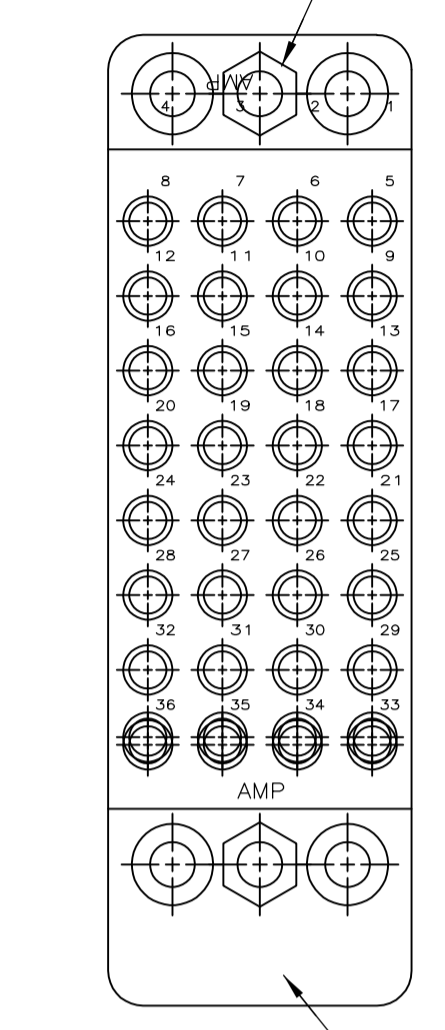
FEMALE JACKSCREW LOCATION FOR 1-203959-4
 MALE JACKSCREW LOCATION FOR 203959-5 & 1-203959-5

MALE JACKSCREW LOCATION FOR 1-203959-4
 FEMALE JACKSCREW LOCATION FOR 203959-5 & 1-203959-5



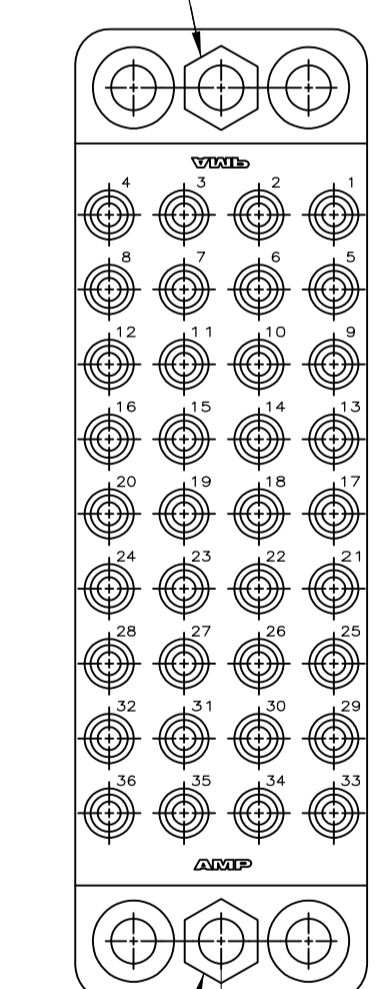
MATING FACE OF 203956-2 BLOCK

FEMALE JACKSCREW LOCATION



MATING FACE OF 205076-2 BLOCK

MALE JACKSCREW LOCATION



MATING FACE OF 205629-5 BLOCK

FEMALE JACKSCREW LOCATION

OBsolete	OBsolete	OBsolete	OBsolete	OBsolete	OBsolete	PART NO	DESCRIPTION	ITEM NO
1	-	1	-	-	-	200532-2	180° SHIELD, SHORT,2PLC	15
1	-	-	-	-	-	201390-5	PIN HOOD, INTERNAL	14
-	2	-	-	-	-	200330-2	SCREW	13
-	2	-	-	-	-	200503-1	LOCKWASHER	12
-	2	-	-	-	-	200773-2	NUT	11
-	1	-	-	-	-	201182-1	STRAIN RELIEF ASSY,SHORT	10
-	-	-	-	-	1	205269-1	JACKSCREW ASSY,FEMALE	9
-	-	-	-	-	1	205268-1	JACKSCREW ASSY,MALE	8
-	1	-	1	1	-	200874-1	FIXED JACKSCREW ASSY,MALE	7
-	1	-	1	1	-	200875-1	FIXED JACKSCREW ASSY,FEMALE	6
1	-	1	-	-	-	205191-1	JACKSCREW ASSY,FEMALE,LONG	5
1	-	1	-	-	-	205190-1	JACKSCREW ASSY,MALE,LONG	4
-	-	-	1	-	-	205629-5	BLOCK	3
1	-	-	-	1	-	205076-2	BLOCK	2
-	1	1	-	-	1	203956-2	BLOCK	1

- REFER TO COMPONENT DRAWINGS FOR DETAILS.
 - FOR MATING KITS SEE AMP DWG NO 203958, EXCEPT FOR 203959-6.
- △ FULLY ASSEMBLED.
 - △ PHENOLIC, BLACK.
 - △ STAINLESS STEEL.
 - △ STEEL, NICKEL PLATED.
 - △ STEEL, ZINC PLATED.
 - △ BODY: BRASS, ZINC PLATED; TIP: STAINLESS STEEL.
 - △ OBSOLETE PARTS: OBSOLETE CIS STREAMLINING PER D.RENAUD/D.SINISI

DO NOT SCALE PRINT. UNLESS SPECIFIED DIMENSIONS IN mm [INCHES] TOLERANCES ON : 2 PLC DEC ± - 3 PLC DEC ± - ANGLES ± -		DR 06/03/94 K.FOLTZ CHK 06/16/94 R.STONE APPD 06/17/94 T.COULSON APPD 06/17/94 T.COULSON	AMP Incorporated Harrisburg, PA 17105-3608	
MATERIAL	FINISH	PRODUCT SPEC	NAME CONNECTOR KIT, .200 GRID, AUTO-WIRING, 36 POSN, M SERIES	
		APPLICATION SPEC	SIZE D	CAGE CODE 00779
		WEIGHT	DRAWING NO C-203959	SHEET 10F 1
			SCALE 2:1	

THIS DRAWING IS A CONTROLLED DOCUMENT FOR AMP INCORPORATED. IT IS SUBJECT TO CHANGE AND THE CONTROLLING ENGINEERING ORGANIZATION SHOULD BE CONTACTED FOR THE LATEST REVISION.