



Chipsmall Limited consists of a professional team with an average of over 10 year of expertise in the distribution of electronic components. Based in Hongkong, we have already established firm and mutual-benefit business relationships with customers from,Europe,America and south Asia,supplying obsolete and hard-to-find components to meet their specific needs.

With the principle of "Quality Parts,Customers Priority,Honest Operation,and Considerate Service",our business mainly focus on the distribution of electronic components. Line cards we deal with include Microchip,ALPS,ROHM,Xilinx,Pulse,ON,Everlight and Freescale. Main products comprise IC,Modules,Potentiometer,IC Socket,Relay,Connector.Our parts cover such applications as commercial,industrial, and automotives areas.

We are looking forward to setting up business relationship with you and hope to provide you with the best service and solution. Let us make a better world for our industry!



Contact us

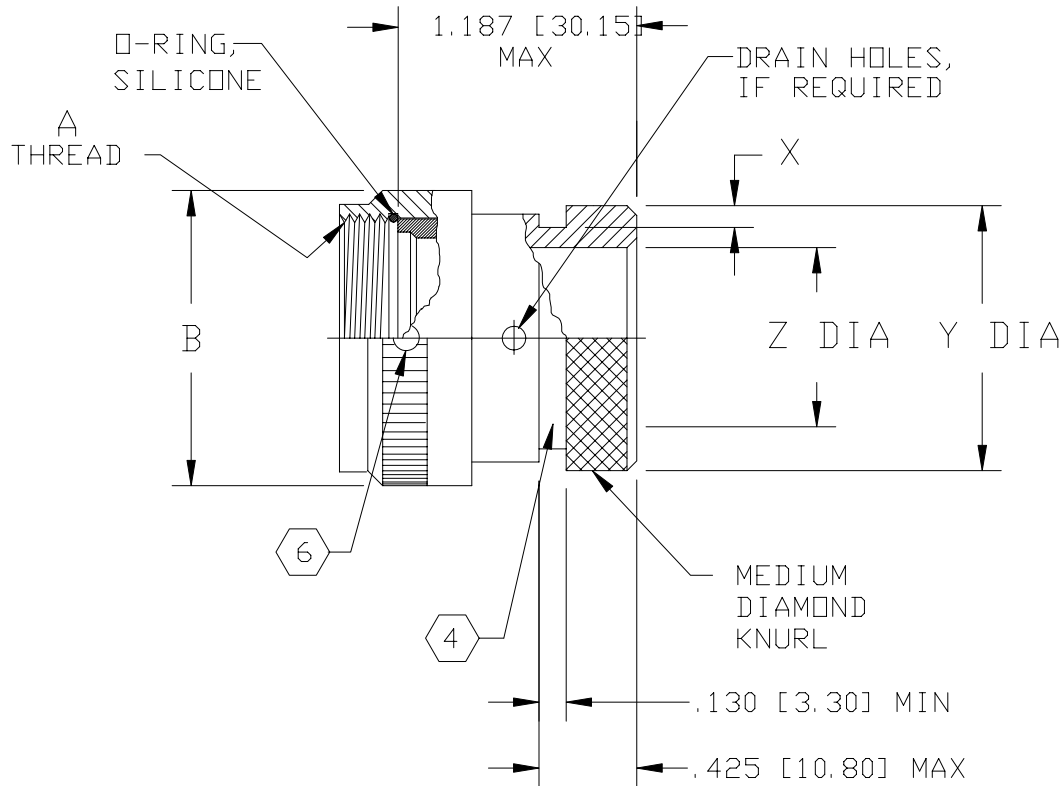
Tel: +86-755-8981 8866 Fax: +86-755-8427 6832

Email & Skype: info@chipsmall.com Web: www.chipsmall.com

Address: A1208, Overseas Decoration Building, #122 Zhenhua RD., Futian, Shenzhen, China



REVISIONS			
LTR	DESCRIPTION	DATE	APPROVED
H	REVISED PER ECN AD93031		




NOTES:

1. THIS PRODUCT IS DESIGNED TO TERMINATE A HEAT SHRINKABLE LIPPED BOOT TO A CONNECTOR.
2. FOR ADDITIONAL DIMENSIONS, ORDERING INFORMATION AND MODIFICATIONS, SEE CH00-0250-0
3. ADAPTER TO BE PERMANENTLY MARKED WITH CODE IDENT. NO. AND PART NO. (E.G.: 06090-203M912-19B).
- 4 KNURL INSIDE BOOT GROOVE MAY BE SUPPLIED AT MANUFACTURER'S OPTION.
- 5 ADAPTER MATES TO: MIL-C-26482 SERIES I, MS3110, MS3111, MS3116 CLASS E & F CONNECTORS.
- 6 ANTI-ROTATIONAL SET SCREW, THREE THREADED HOLES 120° ± 5° APART, SINGLE MATING SET SCREW SUPPLIED: AN565DC4H2. NOT REQUIRED FOR TYPE II ADAPTERS.

If this document is printed it becomes uncontrolled.
Check for the latest revision.

SPECIFICATION CONTROL DRAWING

UNLESS OTHERWISE SPECIFIED DIMENSIONS ARE IN INCHES. METRIC DIMENSIONS ARE IN BRACKETS. DECIMALS .XXX ± — [mm] .XX ± — [mm] .X ± — [mm] ANGLES .X ± —	DRAWN E. GOLDY	DATE 05-25-93		Tyco Electronics Corporation 300 Constitution Drive Menlo Park, CA. 94025 U.S.A.		
	CHECKED	DATE				
	APPROVED	DATE	TITLE			
	APPROVED	DATE	ADAPTER, SPIN COUPLING CODE 21			
CAD NAME \ACAD12\203M9XX		SIZE	CODE IDENT. NO.	DWG. NO.	REV	
THIRD ANGLE PROJECTION		A	06090	203M9XX	H	
DO NOT SCALE THIS DWG				SHEET 1 OF 2		

BASE PART NUMBER	SHELL SIZE 	A THREAD CLASS 2B	B DIA MAX	X MIN	Y	Z MIN
					+ .000 - .030 [+0.00] [-0.76] DIA	
203M908	8	.438-28 UNEF	.79 [20.1]	.044 [1.12]	.533 [13.54]	.261 [6.63]
203M910	10	.562-24 UNEF	.91 [23.1]	↑ ↓	.605 [15.37]	.365 [9.27]
203M912	12	.688-24 UNEF	1.07 [27.2]		.774 [19.66]	.511 [12.98]
203M914	14	.812-20 UNEF	1.19 [30.2]	↓	.838 [21.29]	.605 [15.37]
203M916	16	.938-20 UNEF	1.32 [33.5]		.963 [24.46]	.730 [18.54]
203M918	18	1.062-18 UNEF	1.44 [36.6]	.044 [1.12]	1.042 [26.47]	.832 [20.90]
203M920	20	1.188-18 UNEF	1.57 [39.9]	.069 [1.75]	1.217 [30.91]	.949 [24.10]
203M922	22	1.312-18 UNEF	1.69 [42.9]	↑ ↓	1.355 [34.42]	1.074 [27.28]
203M924	24	1.438-18 UNEF	1.79 [45.5]	.069 [1.75]	1.443 [36.65]	1.168 [29.67]

If this document is printed it becomes uncontrolled.
Check for the latest revision.

SIZE	CODE IDENT. NO.	DWG. NO.	REV
A	06090	203M9XX	H
DO NOT SCALE THIS DWG		CAD NAME \ACAD12\203M9X-2	SHEET 2 OF 2