



Chipsmall Limited consists of a professional team with an average of over 10 year of expertise in the distribution of electronic components. Based in Hongkong, we have already established firm and mutual-benefit business relationships with customers from,Europe,America and south Asia,supplying obsolete and hard-to-find components to meet their specific needs.

With the principle of “Quality Parts,Customers Priority,Honest Operation,and Considerate Service”,our business mainly focus on the distribution of electronic components. Line cards we deal with include Microchip,ALPS,ROHM,Xilinx,Pulse,ON,Everlight and Freescale. Main products comprise IC,Modules,Potentiometer,IC Socket,Relay,Connector.Our parts cover such applications as commercial,industrial, and automotives areas.

We are looking forward to setting up business relationship with you and hope to provide you with the best service and solution. Let us make a better world for our industry!



Contact us

Tel: +86-755-8981 8866 Fax: +86-755-8427 6832

Email & Skype: info@chipsmall.com Web: www.chipsmall.com

Address: A1208, Overseas Decoration Building, #122 Zhenhua RD., Futian, Shenzhen, China



Subminiature Fuse, 8.5 mm, Time-Lag T, Telecom, 250 VAC, 63 VDC



IEC 60127-3 · 250VAC · Time-Lag T



Standards

- IEC 60127-3/4
- UL 248-14
- CSA C22.2 no. 248.14
- Telcordia GR-1089
- UL 60950 / IEC 60950
- ITU-T K.20 and K.21
- TIA-968-A

Approvals

- VDE Certificate Number: 40013529
- UL File Number: E41599
- CSA File Number: 51172

Applications

- xDSL and ADSL linecards and modems

References

[Packaging Details](#)

Corresponding Fuseholder [FMS \(250V\)](#)

Last order date: 31.12.2016


We recommend for new applications the type [MST 250](#)

MST 250 is fully compatible to MSU 250

Weblinks

[pdf datasheet](#), [html-datasheet](#), [General Product Information](#), [Packaging details](#), [Approvals](#), [CE declaration of conformity](#), [RoHS](#), [CHINA-RoHS](#), [REACH](#), [Distributor-Stock-Check](#), [Detailed request for product](#)

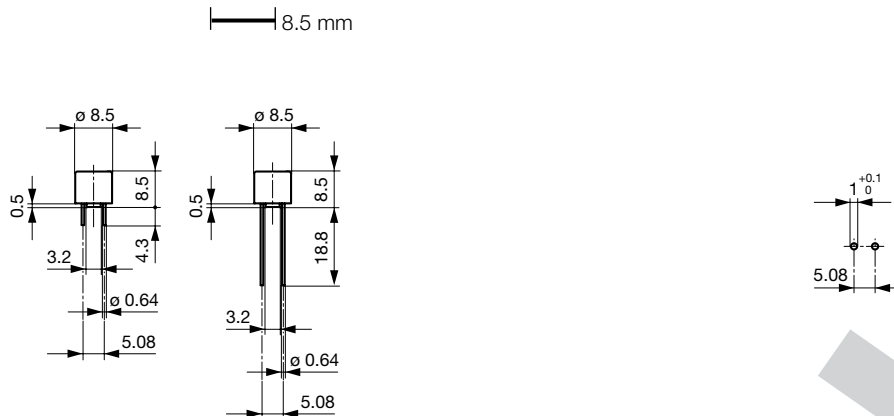
Technical Data

Rated Voltage	250 VAC, 63 VDC
Rated current	0.25 - 3.15A
Breaking Capacity	35A - 50A
Characteristic	Time-Lag T
Mounting	PCB, THT
Admissible Ambient Air Temp.	-40 °C to 85 °C
Climatic Category	40/085/21 acc. to IEC 60068-1
Material: Housing	Thermoplastic, UL 94V-0
Material: Terminals	Tin-Plated Copper
Unit Weight	0.53 g
Storage Conditions	0 °C to 40 °C, max. 70% r.h.
Product Marking	 Type, Rated current, Rated Voltage, Characteristic, Approvals

Soldering Methods	Wave, Iron Soldering Profile
Solderability	235 °C / 2 sec acc. to IEC 60068-2-20, Test Ta
Resistance to Soldering Heat	260 °C / 10sec acc. to IEC 60068-2-20, Test Tb
Current Carrying Capacity	acc. to EIA/IS-722, Test 4.3.3
Moisture Resistance Test	(acc. to EIA/IS-722, Test 4.4.3)
Terminal Strength	Tensile load min. 9 N (acc. to EIA/IS-722, Test 4.5.1)
Case Resistance	acc. to EIA/IS-722, Test 4.7 >100 MΩ (between leads and body)
Mechanical Shock	(acc. to EIA/IS-722, Test 4.9)
Vibration, High Frequency	Shock 20 gn, 20 min, 10-2 kHz, 12 cyc. (acc. to EIA/IS-722, Test 4.10)
Resistance to Solvents	MIL-STD-202, Method 215A
Flammability	UL 94V-0 (acc. to EIA/IS-722, Test 4.12)

Detailed information on product approvals, code requirements, usage instructions and detailed test conditions can be looked up in [General Product Information](#)

Dimension

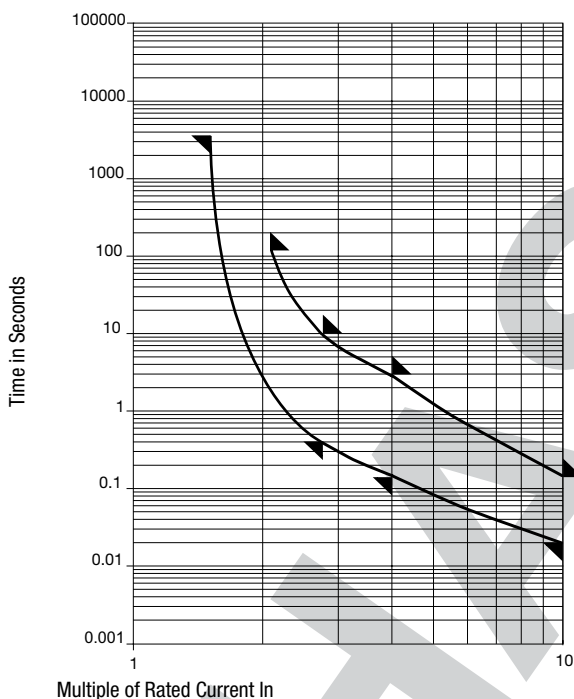


Drilling diagram

Pre-Arcing Time

Rated Current In	1.5 x In min.	2.1 x In max.	2.75 x In min.	2.75 x In max.	4.0 x In min.	4.0 x In max.	10.0 x In min.	10.0 x In max.
0.25 A - 3.15 A	60 min	120 s	400 ms	10 s	150 ms	3 s	20 ms	150 ms

[Kennlinien]



All Variants

Rated Current [A]	Rated Voltage [VAC]	Voltage Drop 1.0 In typ. [mV]	Power Dissipation 1.5 In typ. [mW]	Melting I ² t 10.0 Intyp. [A ² s]	GR-1089-CORE [A]	UL60950	ITU - Lightning Surge [A]	ITU - Power Induc-	ITU - Power Contact [A]	S	L	T	Order Number
0.25	250	120	80	0.6	> 14.0		25.3	●	35.0	●			2040.0609
0.315	250	120	100	0.8	> 14.0		29.2	●	35.0	●			2040.0610
0.4	250	110	100	1.1	> 14.0		39.5	●	35.0	●			2040.0611
0.5	250	100	100	2.5	> 14.0		57	●	35.0	●			2040.0612
0.63	250	90	100	4	> 14.0		67	●	35.0	●			2040.0613
0.8	250	80	200	8	> 14.0	●	67	●	35.0	●			2040.0614

Rated Current [A]	Rated Voltage [VAC]	Voltage Drop 1.0 In typ. [mV]	Power Dissipation 1.5 I _n typ. [mW]	Melting I ² t 10.0 Intyp. [A ² s]	GR-1089-CORE [A]	UL60950	ITU - Lightning Surge [A]	ITU - Power Induc-	ITU - Power Contact [A]	S	L	T	Order Number
1	250	70	200	12	> 14.0	●	67	●	35.0	●			2040.0615
1.25	250	70	300	15	> 14.0	●	67	●	35.0	●			2040.0616
1.6	250	60	300	30	> 14.0	●	67	●	50.0	●			2040.0617
2	250	60	300	34	> 14.0	●	67	●	50.0	●			2040.0618
2.5	250	50	400	55	> 14.0	●	67	●	50.0	●			2040.0619
3.15	250	50	500	76	> 14.0	●	67	●	50.0	●			2040.0620
0.25	250	120	80	0.6	> 14.0		25.3	●	35.0		●		2040.0709
0.315	250	120	100	0.8	> 14.0		29.2	●	35.0		●		2040.0710
0.4	250	110	100	1.1	> 14.0		39.5	●	35.0		●		2040.0711
0.5	250	100	100	2.5	> 14.0		57	●	35.0		●		2040.0712
0.63	250	90	100	4	> 14.0		67	●	35.0		●		2040.0713
0.8	250	80	200	8	> 14.0	●	67	●	35.0		●		2040.0714
1	250	70	200	12	> 14.0	●	67	●	35.0		●		2040.0715
1.25	250	70	300	15	> 14.0	●	67	●	35.0		●		2040.0716
1.6	250	60	300	30	> 14.0	●	67	●	50.0		●		2040.0717
2	250	60	300	34	> 14.0	●	67	●	50.0		●		2040.0718
2.5	250	50	400	55	> 14.0	●	67	●	50.0		●		2040.0719
3.15	250	50	500	76	> 14.0	●	67	●	50.0		●		2040.0720
0.25	250	120	80	0.6	> 14.0		25.3	●	35.0		●		2040.0809
0.315	250	120	100	0.8	> 14.0		29.2	●	35.0		●		2040.0810
0.4	250	110	100	1.1	> 14.0		39.5	●	35.0		●		2040.0811
0.5	250	100	100	2.5	> 14.0		57	●	35.0		●		2040.0812
0.63	250	90	100	4	> 14.0		67	●	35.0		●		2040.0813
0.8	250	80	200	8	> 14.0	●	67	●	35.0		●		2040.0814
1	250	70	200	12	> 14.0	●	67	●	35.0		●		2040.0815
1.25	250	70	300	15	> 14.0	●	67	●	35.0		●		2040.0816
1.6	250	60	300	30	> 14.0	●	67	●	50.0		●		2040.0817
2	250	60	300	34	> 14.0	●	67	●	50.0		●		2040.0818
2.5	250	50	400	55	> 14.0	●	67	●	50.0		●		2040.0819
3.15	250	50	500	76	> 14.0	●	67	●	50.0		●		2040.0820

Availability for all products can be searched real-time:<http://www.schurter.com/en/Stock-Check/Stock-Check-SCHURTER>

IEC: 35 A @ 250 VAC

UL: 35 A @ 250 VAC / 50 A @ 63 VDC

Packaging Unit S = Plastic Bag (100 pcs.)
 L = Bulk (100 pcs.)
 T = Taped 36 cm Reel (750 pcs.)