



Chipsmall Limited consists of a professional team with an average of over 10 year of expertise in the distribution of electronic components. Based in Hongkong, we have already established firm and mutual-benefit business relationships with customers from,Europe,America and south Asia,supplying obsolete and hard-to-find components to meet their specific needs.

With the principle of “Quality Parts,Customers Priority,Honest Operation,and Considerate Service”,our business mainly focus on the distribution of electronic components. Line cards we deal with include Microchip,ALPS,ROHM,Xilinx,Pulse,ON,Everlight and Freescale. Main products comprise IC,Modules,Potentiometer,IC Socket,Relay,Connector.Our parts cover such applications as commercial,industrial, and automotives areas.

We are looking forward to setting up business relationship with you and hope to provide you with the best service and solution. Let us make a better world for our industry!



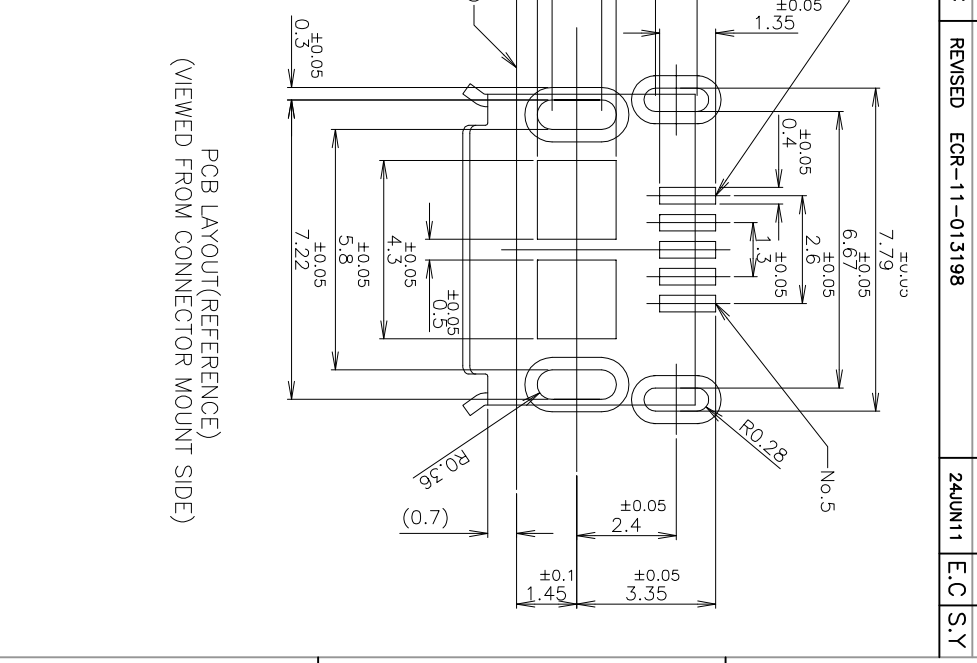
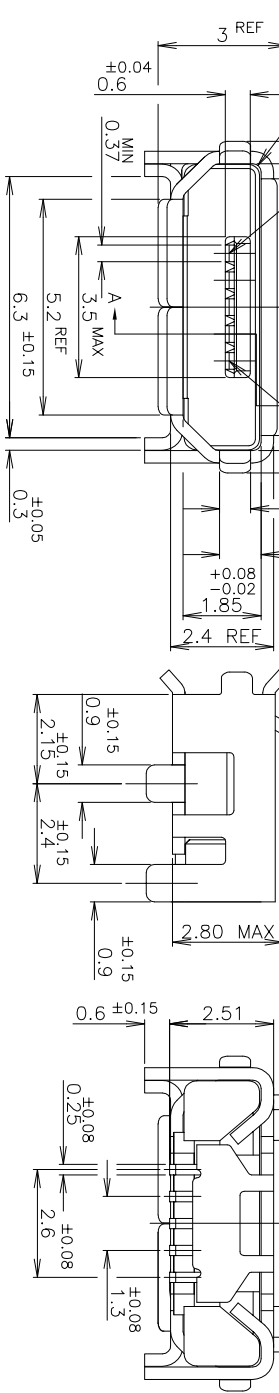
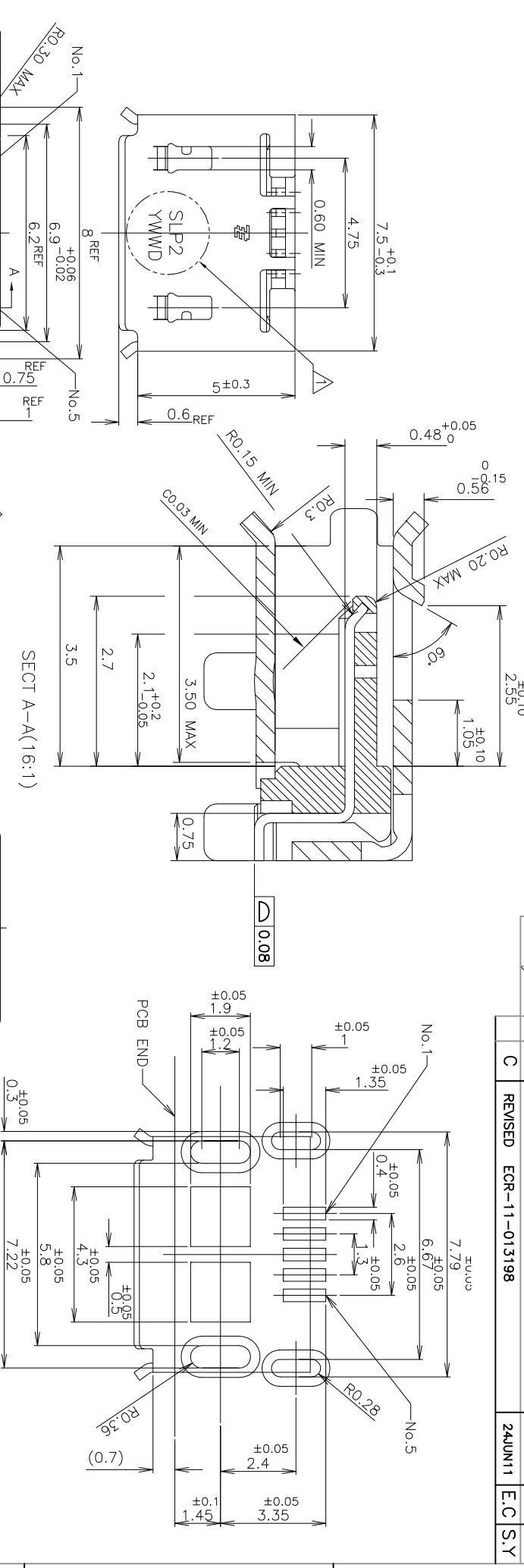
Contact us

Tel: +86-755-8981 8866 Fax: +86-755-8427 6832

Email & Skype: info@chipsmall.com Web: www.chipsmall.com

Address: A1208, Overseas Decoration Building, #122 Zhenhua RD., Futian, Shenzhen, China





DIMENSIONS:		TOLERANCES UNLESS OTHERWISE SPECIFIED:	
0 PIC	±	0 PIC	±
1 PIC	±	1 PIC	±
2 PIC	±	2 PIC	±
3 PIC	±	3 PIC	±
4 PIC	±	4 PIC	±
ANGLES		± 10	
FINISH		在上	

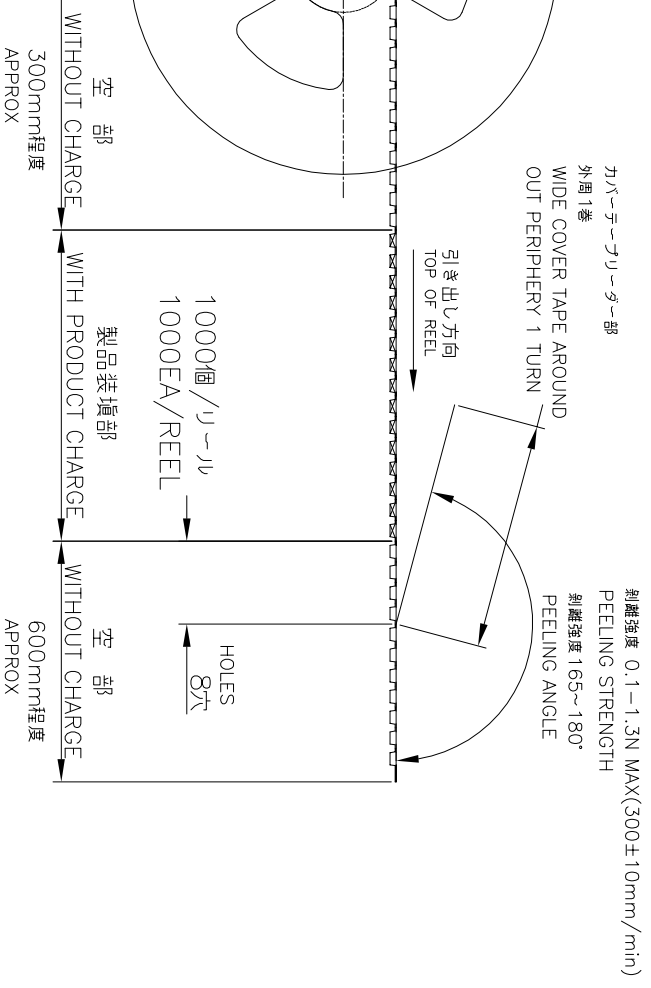
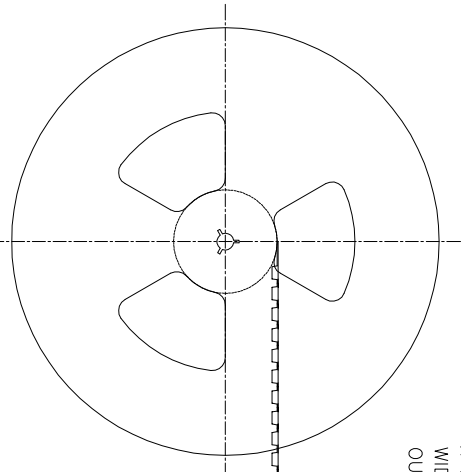
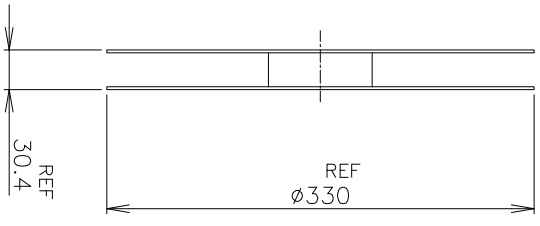
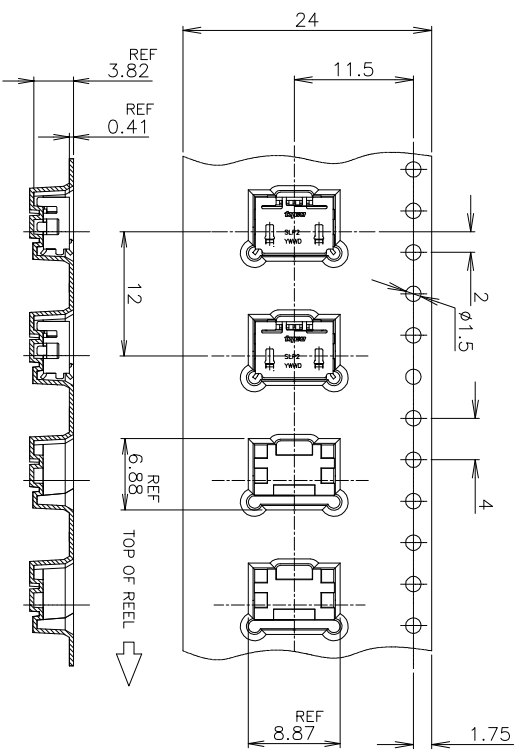
DMN	J.TSUJI	09APR2008	09APR2008
CHK	T.KUSUHARA	09APR2008	09APR2008
APRD	T.KUSUHARA	09APR2008	09APR2008
PRODUCT SPEC	製品規格	108-78434	
APPLICATION SPEC	取付用規格		
WEIGHT			

NAME	Tyco Electronics AMP K.K.
NAME	Kawasaki, Japan
SIZE	A3
PAGE CODE	00779
DRAWING NO	2040002
RESTRICTED TO	

CUSTOMER DRAWING	SCALE	8:1	SHEET	1	OF	2	REV	C
------------------	-------	-----	-------	---	----	---	-----	---

REV	DATE	DMN	APRD
1	-	-	-

REV	DATE	DMN	APRD
1	-	-	-



THIS DRAWING IS A CONTROLLED DOCUMENT.

DMN	-	NAME	Tyco Electronics
CHK	-	NAME	Kawasaki, Japan
APRD	-	PRODUCT SPEC	MICRO USB
PRODUCT SPEC	-	APPLICATION SPEC	RECEPTACLE DIP TYPE B 4LEGS
APPLICATION SPEC	-	WEIGHT	ASSY
WEIGHT	-	CUSTOMER DRAWING	-

DMN	-	SIZE	A3
CHK	-	PAGE CODE	00779
APRD	-	DRAWING NO	2040002
PRODUCT SPEC	-	SCALE	2:1
APPLICATION SPEC	-	SHEET	2 OF 2
WEIGHT	-	REV	C

DMN	-	RESTRICTED TO	-
CHK	-	SCALE	2:1
APRD	-	SHEET	2 OF 2
PRODUCT SPEC	-	REV	C
APPLICATION SPEC	-	RESTRICTED TO	-
WEIGHT	-	SCALE	2:1