



Chipsmall Limited consists of a professional team with an average of over 10 year of expertise in the distribution of electronic components. Based in Hongkong, we have already established firm and mutual-benefit business relationships with customers from,Europe,America and south Asia,supplying obsolete and hard-to-find components to meet their specific needs.

With the principle of “Quality Parts,Customers Priority,Honest Operation,and Considerate Service”,our business mainly focus on the distribution of electronic components. Line cards we deal with include Microchip,ALPS,ROHM,Xilinx,Pulse,ON,Everlight and Freescale. Main products comprise IC,Modules,Potentiometer,IC Socket,Relay,Connector.Our parts cover such applications as commercial,industrial, and automotives areas.

We are looking forward to setting up business relationship with you and hope to provide you with the best service and solution. Let us make a better world for our industry!



Contact us

Tel: +86-755-8981 8866 Fax: +86-755-8427 6832

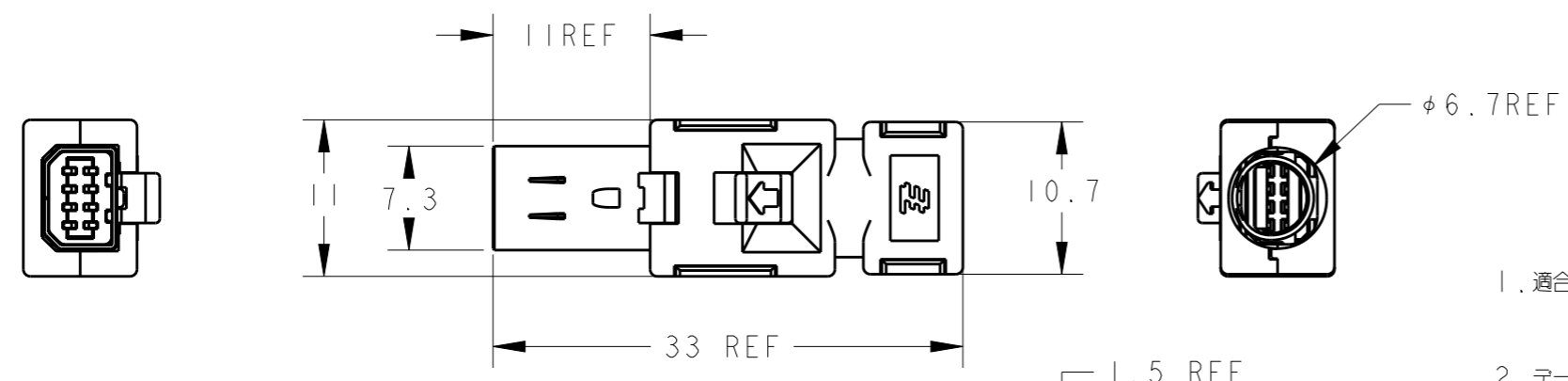
Email & Skype: info@chipsmall.com Web: www.chipsmall.com

Address: A1208, Overseas Decoration Building, #122 Zhenhua RD., Futian, Shenzhen, China



THIS DRAWING IS UNPUBLISHED. RELEASED FOR PUBLICATION 20
 © COPYRIGHT 20 BY - ALL RIGHTS RESERVED.

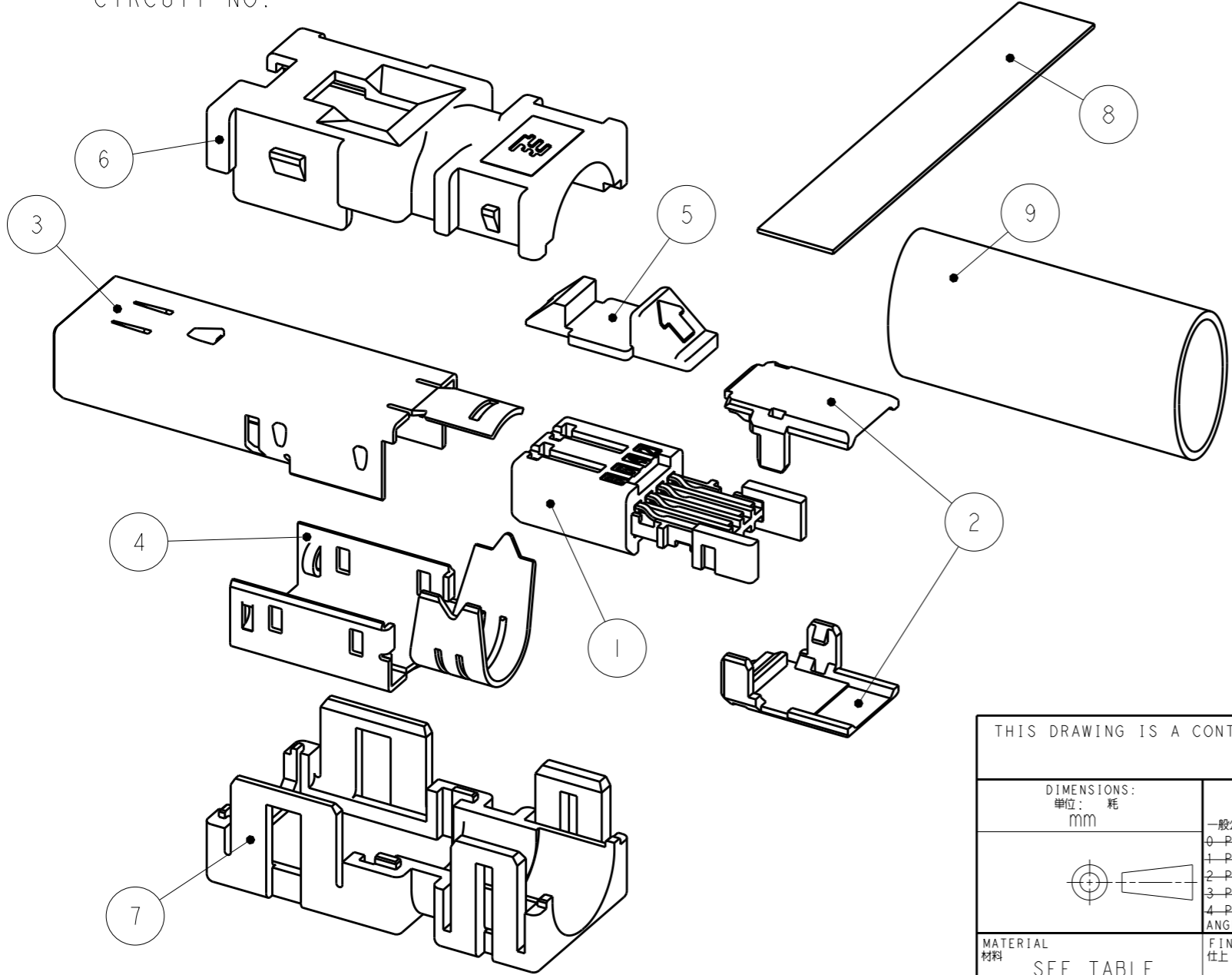
REVISIONS 変更				
P	LTR	DESCRIPTION	DATE	DWN APVD
	D	REVISED	09AUG2010	T.S N.Y



D-SHAPE TYPE 2
 回路番号
 CIRCUIT NO.



- 適合電線：推奨導体サイズAWG30~26 X 8芯
 導体サイズMAX AWG22 X 4芯
 仕上がり外径φ6.7 MAX。
 - テートコードは同梱の顧客図面に記載。
 - 本型番の製品は専用梱包トレーに ISET ずつ個別梱包される。
1. APPLICABLE CABLE: RECOMMENDED AWG30~26 X 8C
 MAX AWG22 X 4C
 OVERALL DIAMETER 6.7MAX.
 2. DATE CODE IS DESCRIBED ON THE BUNDLED CUSTOMER DRAWING.
 3. THE PRODUCT OF THIS DRAWING NO. IS PACKED INDIVIDUALLY
 IN PACKAGE OF EXCLUSIVE USE.



1	1	CROSS-LINKED POLYOLEFIN 架橋ポリオレフィン	HEAT SHRINKABLE TUBE 熱収縮チューブ	⑨
1	1	ELECTROLYSIS COPPER FOIL, ACRYLIC ADHESIVE MATERIAL 電解銅箔 アクリル系粘着材	COPPER FOIL TAPE 銅箔テープ	⑧
1	1	POLYESTER OF GLASS FILLED THERMO PLASTIC(UL94V-0) ガラス入りポリエステル系熱可塑性樹脂(UL94V-0)	BOTTOM COVER ボトムカバー	⑦
1	1	POLYESTER OF GLASS FILLED THERMO PLASTIC(UL94V-0) ガラス入りポリエステル系熱可塑性樹脂(UL94V-0)	TOP COVER トップカバー	⑥
1	-	POLYESTER OF GLASS FILLED THERMO PLASTIC(UL94V-0) ガラス入りポリエステル系熱可塑性樹脂(UL94V-0)	LOCK EJECTOR ロックエジェクタ 矢印白	⑤
-	1	POLYESTER OF GLASS FILLED THERMO PLASTIC(UL94V-0) ガラス入りポリエステル系熱可塑性樹脂(UL94V-0)	LOCK EJECTOR ロックエジェクタ	
1	1	STEEL/UNDER:Cu PLATING, TOP:Ni PLATING 鋼/下地:Cuめっき, 表面:Niめっき	BOTTOM SHELL ボトムシェル	④
1	1	STEEL/UNDER:Cu PLATING, TOP:Ni PLATING 鋼/下地:Cuめっき, 表面:Niめっき	TOP SHELL トップシェル	③
2	2	POLYESTER OF GLASS FILLED THERMO PLASTIC(UL94V-0) ガラス入りポリエステル系熱可塑性樹脂(UL94V-0)	PLUG HSG COVER プラグハウジングカバー	②
1	1	CONTACT: COPPER ALLOY UNDER ALL SURFACE: Ni PLATING 1.27μmMIN TOP CONTACT AREA: Au PLATING: 0.5μmMIN SOLDERING AREA: Au FLASH HSG: POLY-AMID OF GLASS FILLED THERMO PLASTIC(UL94V-0) コンタクト: 銅合金 下地: 全面Niめっき1.27μm以上 表面: 接点部Auめっき0.5μm以上 はんだ付け部Auフラッシュめっき ハウジング: ガラス入りポリアミド系熱可塑性樹脂(UL94V-0)	PLUG HSG SUB ASSY プラグハウジングサブアセンブリ	①
REQ'D/ASSY 異数		MATERIAL / FINISH 材料 / 仕上げ	PART NAME 部品名称	ITEM NO.

THIS DRAWING IS A CONTROLLED DOCUMENT.		DWN S. INOMATA 12NOV2007
DIMENSIONS: 単位: 概 mm		CHK I. HASEGAWA 12NOV2007
TOLERANCES UNLESS OTHERWISE SPECIFIED: 一般公差 ±0.3 0 PLC ± 1 PLC ±0.5 2 PLC ±0.13 3 PLC ±0.013 4 PLC ±0.0001 ANGLES ±		APVD I. HASEGAWA 12NOV2007
MATERIAL 材料 SEE TABLE 表参照		PRODUCT SPEC 製品規格 108-78405
FINISH 仕上 SEE TABLE 表参照		APPLICATION SPEC 取付適用規格 114-5431
		WEIGHT -

STE TE Connectivity

INDUSTRIAL MINI I/O
 PLUG CONNECTOR KIT
 D-SHAPE TYPE 2

SIZE A3	CAGE CODE 00779	DRAWING NO C-2040008	RESTRICTED TO -
------------	--------------------	-------------------------	--------------------

SCALE 1:1 SHEET 1 OF 1 REV D