



Chipsmall Limited consists of a professional team with an average of over 10 year of expertise in the distribution of electronic components. Based in Hongkong, we have already established firm and mutual-benefit business relationships with customers from,Europe,America and south Asia,supplying obsolete and hard-to-find components to meet their specific needs.

With the principle of “Quality Parts,Customers Priority,Honest Operation,and Considerate Service”,our business mainly focus on the distribution of electronic components. Line cards we deal with include Microchip,ALPS,ROHM,Xilinx,Pulse,ON,Everlight and Freescale. Main products comprise IC,Modules,Potentiometer,IC Socket,Relay,Connector.Our parts cover such applications as commercial,industrial, and automotives areas.

We are looking forward to setting up business relationship with you and hope to provide you with the best service and solution. Let us make a better world for our industry!



Contact us

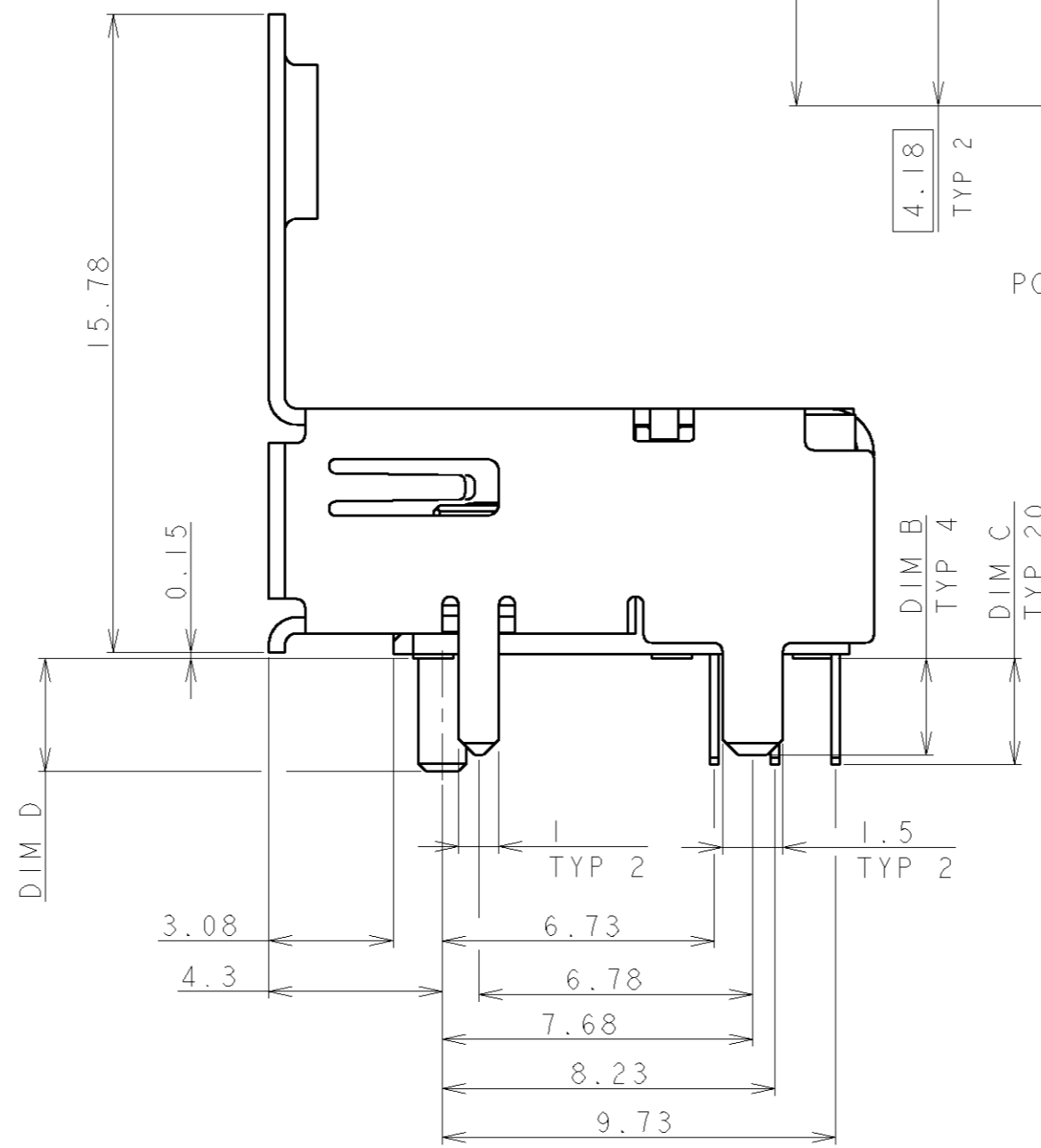
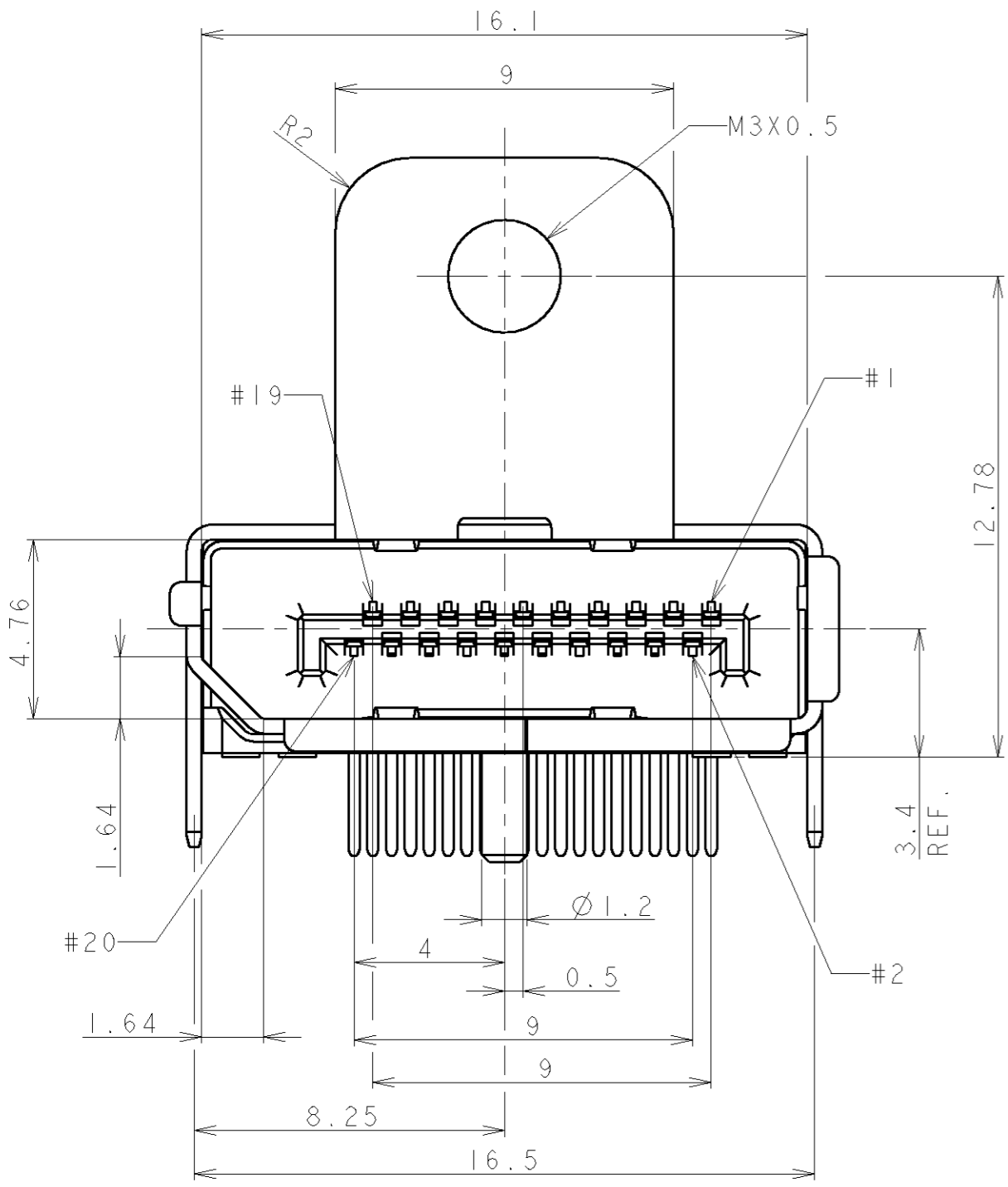
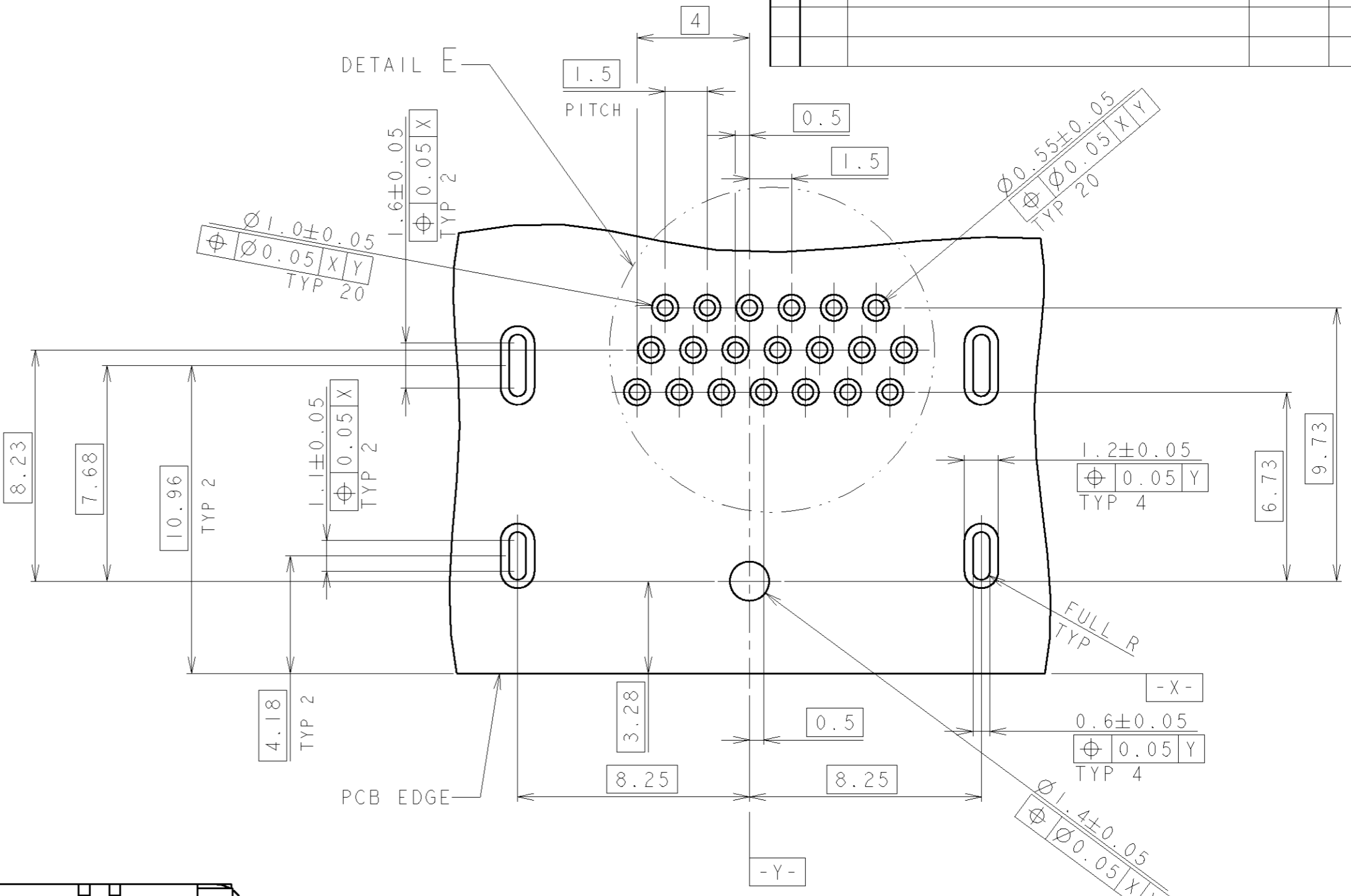
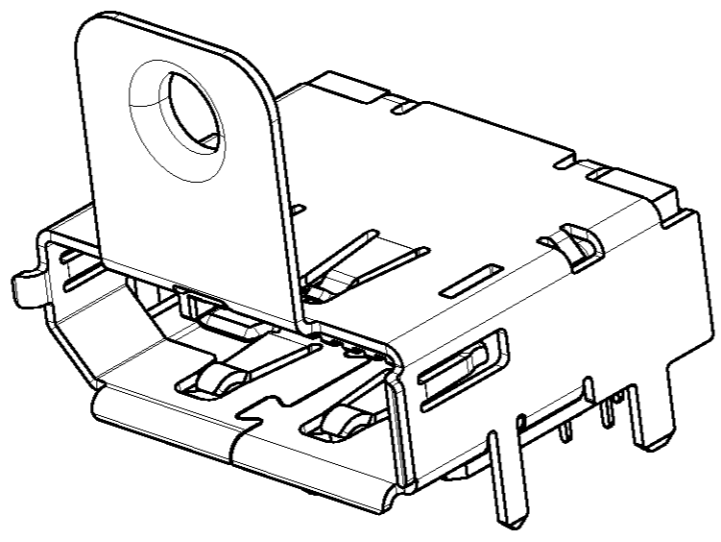
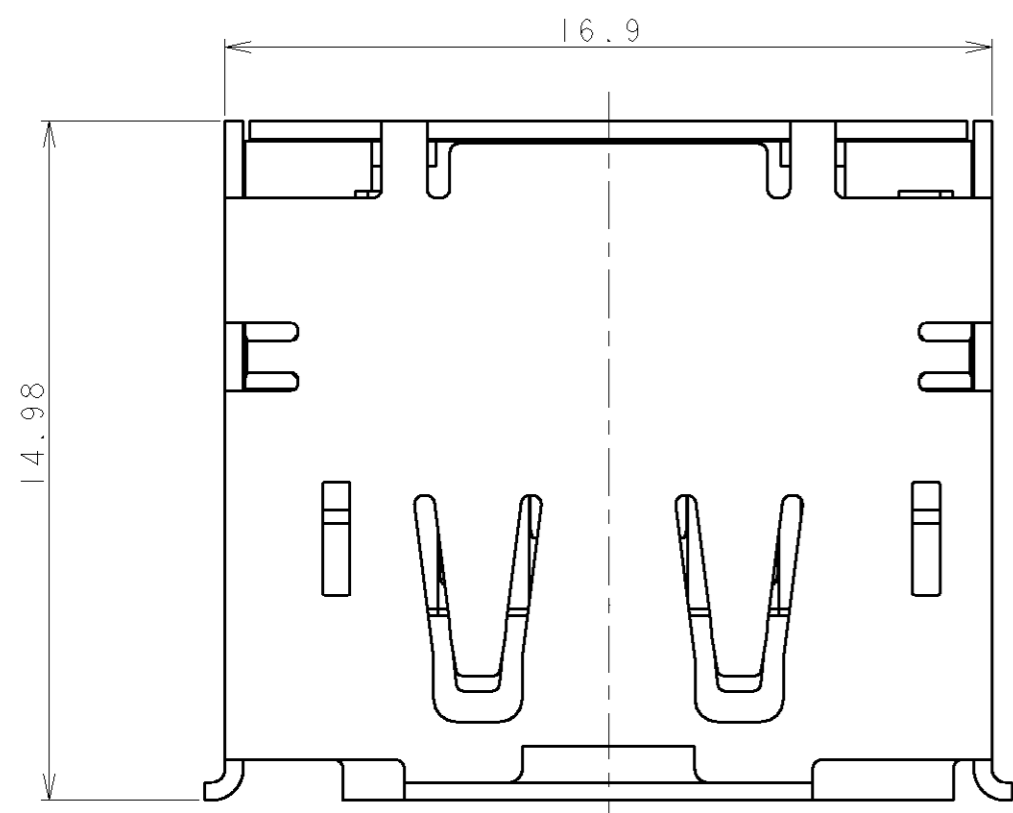
Tel: +86-755-8981 8866 Fax: +86-755-8427 6832

Email & Skype: info@chipsmall.com Web: www.chipsmall.com

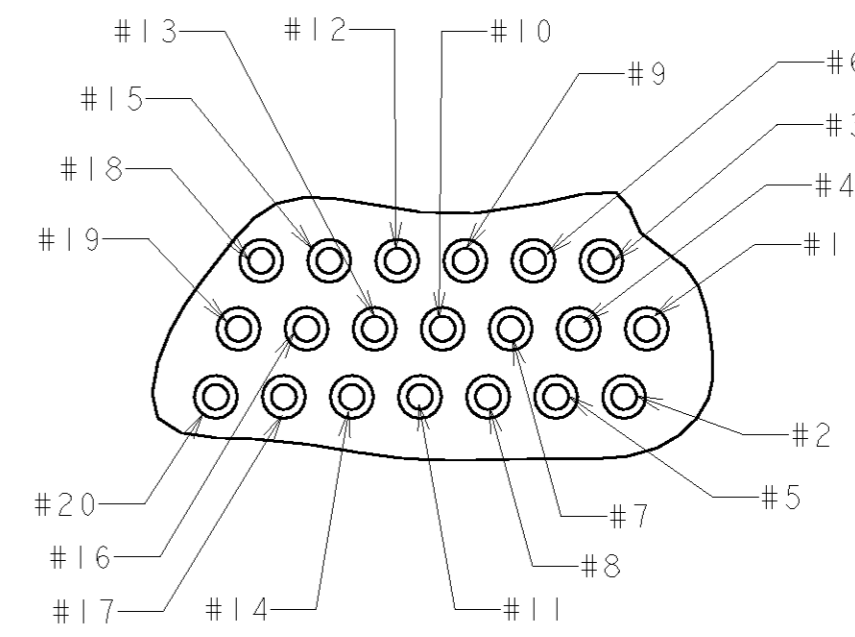
Address: A1208, Overseas Decoration Building, #122 Zhenhua RD., Futian, Shenzhen, China



LOC	DIST	REVISIONS					
J		P	LTR	DESCRIPTION	DATE	DWN	APVD
		A		RELEASED		Y.H	



RECOMMENDED PCB LAYOUT (THICKNESS=DIM A±0.1)
MOUNTING SIDE



- MATERIAL:
HOUSING: HIGH TEMPERATURE THERMAL PLASTIC, BLACK, UL94V-0.
CONTACT: COPPER ALLOY.
SHELL: COPPER ALLOY.
- FINISH:
CONTACT: CONTACT AREA:GOLD PLATING
SOLDER TAIL AREA:TIN PLATING.
SHELL: NICKEL PLATING SOLDERABILITY IS WORSE THAN MATTE TIN PLATING IN SOME CONDITION, IN SUCH CASE, PLEASE SELECT MATTE TIN PLATING.
- THIS PRODUCT IS PACKED IN TRAY.

MATERIAL	DIM D	DIM C	DIM B	DIM A	PART NUMBER
MATTE TIN	2.2	2.0	2.0	1.2	1-2040210-5
NICKEL	2.2	2.0	2.0	1.2	1-2040210-1
MATTE TIN	2.8	2.6	2.4	1.6	2040210-5
NICKEL	2.8	2.6	2.4	1.6	2040210-1

THIS DRAWING IS A CONTROLLED DOCUMENT FOR TYCO ELECTRONICS CORPORATION IT IS SUBJECT TO CHANGE AND THE CONTROLLING ENGINEERING ORGANIZATION SHOULD BE CONTACTED FOR THE LATEST REVISION.		DWN Y. HIRATA 15FEB2008	Tyco Electronics Corporation Kawasaki, Japan	
DIMENSIONS: 単位: ㎜		CHK T. KUSUHARA 15FEB2008	NAME RECEPTACLE ASSEMBLY DISPLAYPORT RA TH STD TH-LEG WITH FLANGE	
TOLERANCES UNLESS OTHERWISE SPECIFIED: 一般公差 0 PLC ±0.3 1 PLC ±0.3 2 PLC ±0.3 3 PLC ±0.3 4 PLC ±0.3 ANGLES ±2° FINISH 仕		APVD T. KUSUHARA 15FEB2008	SIZE A2p0779C-2040210	
MATERIAL		PRODUCT SPEC 108-78515	RESTRICTED TO	
		APPLICATION SPEC 取付適甲規格	SCALE 4:1 SHEET 1 OF 2 REV A	
		WEIGHT		
		CUSTOMER DRAWING		

2040210

4

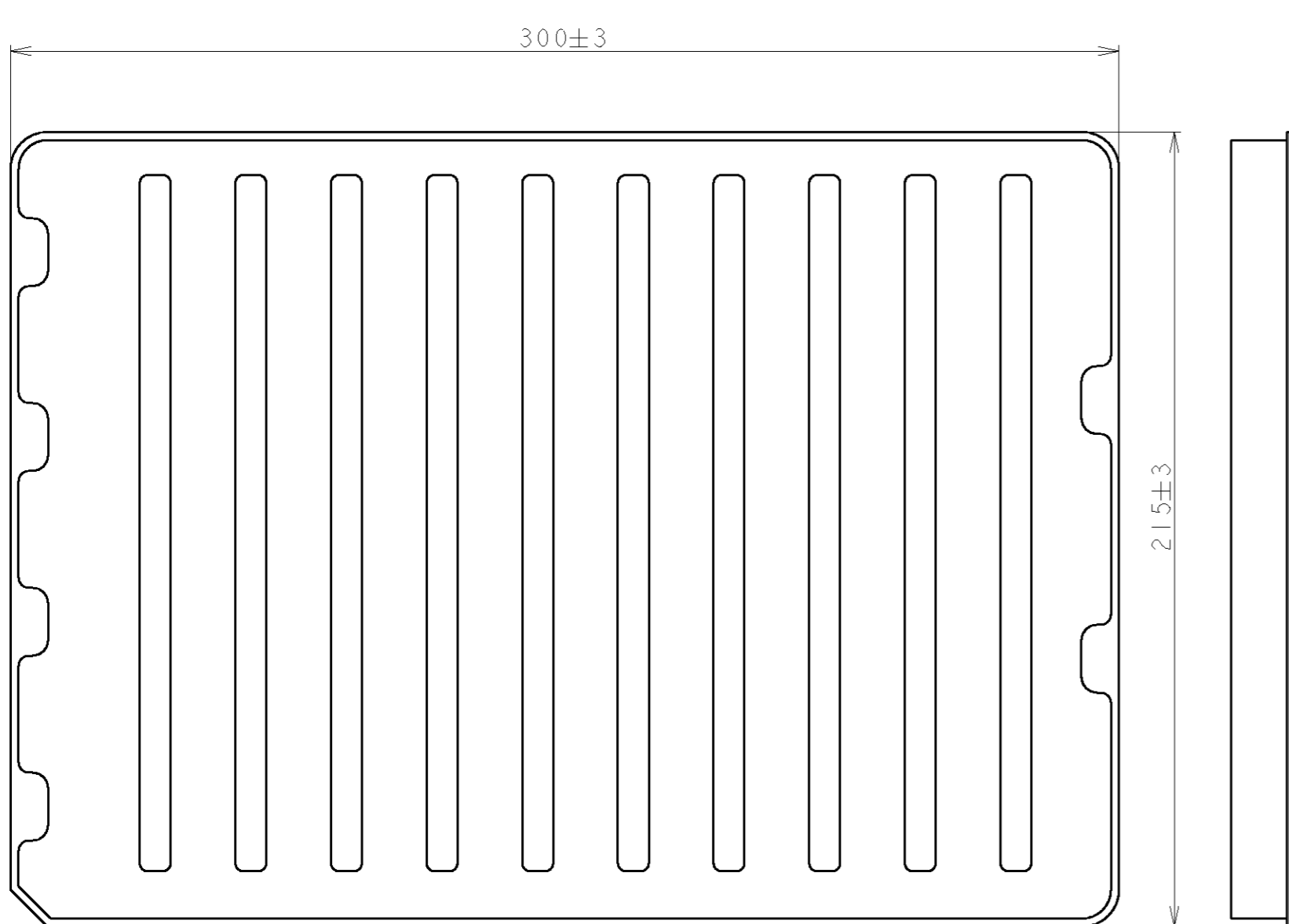
3

2

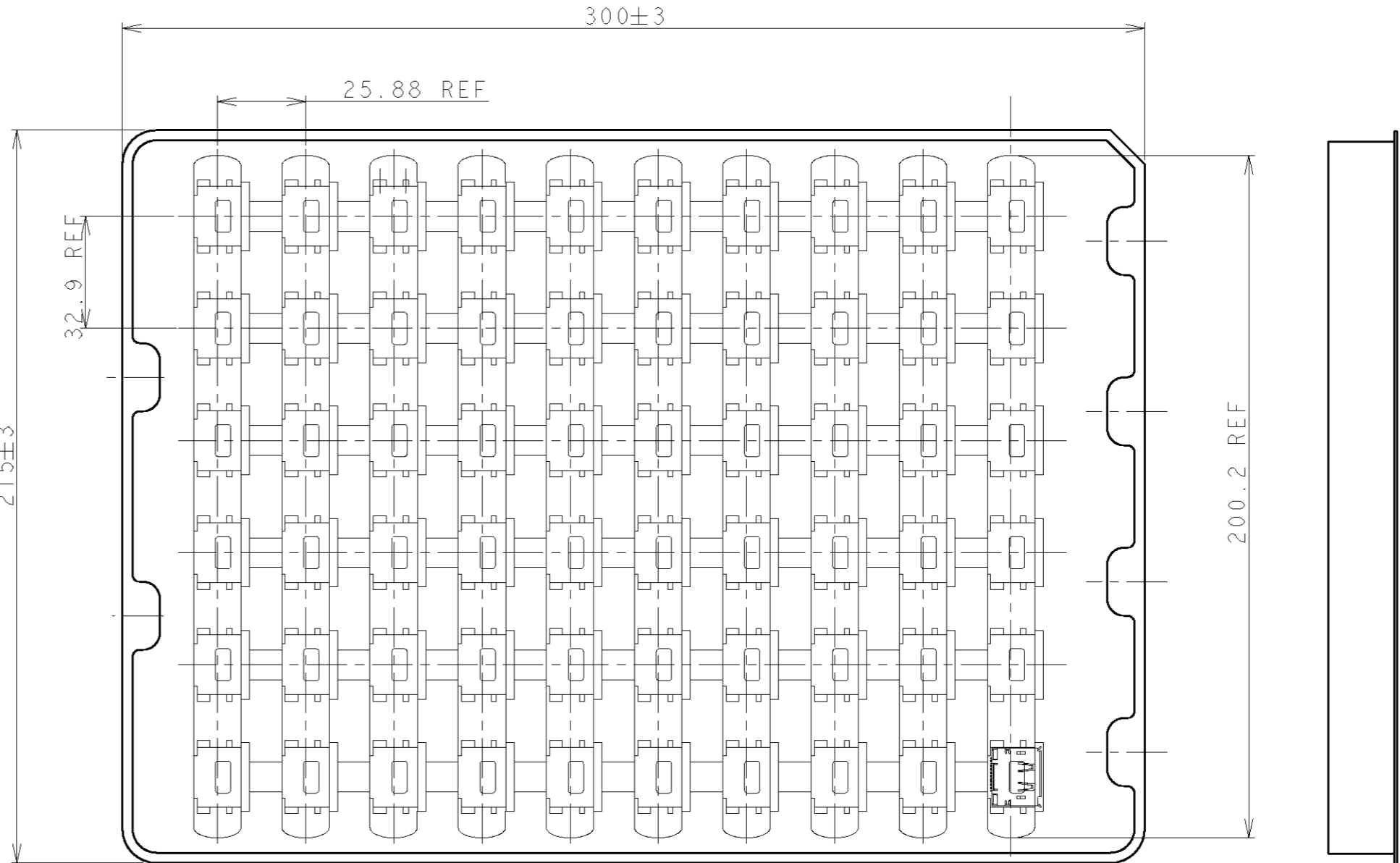
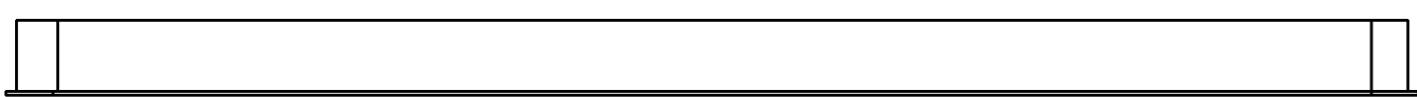
1

THIS DRAWING IS UNPUBLISHED. RELEASED FOR PUBLICATION 2008
 © COPYRIGHT 2008 BY TYCO ELECTRONICS CORPORATION. ALL RIGHTS RESERVED.

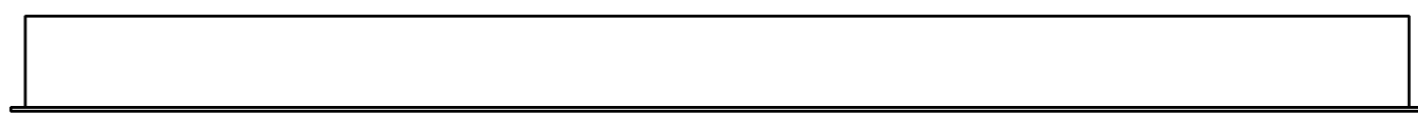
LOC	DIST	REVISIONS			
P	LTR	DESCRIPTION	DATE	DWN	APVD
		SEE SHEET 1	-	-	-



UPPER TARY



LOWER TARY



PACKAGE TARY

<small>THIS DRAWING IS A CONTROLLED DOCUMENT FOR TYCO ELECTRONICS CORPORATION. IT IS SUBJECT TO CHANGE AND THE CONTROLLING ENGINEERING ORGANIZATION SHOULD BE CONTACTED FOR THE LATEST REVISION.</small>		DWN	Tyco Electronics Corporation Kawasaki, Japan	
DIMENSIONS: mm		CHK	NAME	
		APVD	RECEPTACLE ASSEMBLY DISPLAYPORT RA TH STD TH-LEG WITH FLANGE	
TOLERANCES UNLESS OTHERWISE SPECIFIED: 0 PLC ± 1 PLC ± 2 PLC ± 3 PLC ± 4 PLC ± ANGLES ± FINISH ±		PRODUCT SPEC	SIZE	RESTRICTED TO
MATERIAL		APPLICATION SPEC	A200779	
		WEIGHT	C-2040210	
		CUSTOMER DRAWING	SCALE 1:1	SHEET 2 OF 2 REV A

2040210