



Chipsmall Limited consists of a professional team with an average of over 10 year of expertise in the distribution of electronic components. Based in Hongkong, we have already established firm and mutual-benefit business relationships with customers from,Europe,America and south Asia,supplying obsolete and hard-to-find components to meet their specific needs.

With the principle of “Quality Parts,Customers Priority,Honest Operation,and Considerate Service”,our business mainly focus on the distribution of electronic components. Line cards we deal with include Microchip,ALPS,ROHM,Xilinx,Pulse,ON,Everlight and Freescale. Main products comprise IC,Modules,Potentiometer,IC Socket,Relay,Connector.Our parts cover such applications as commercial,industrial, and automotives areas.

We are looking forward to setting up business relationship with you and hope to provide you with the best service and solution. Let us make a better world for our industry!



## Contact us

Tel: +86-755-8981 8866 Fax: +86-755-8427 6832

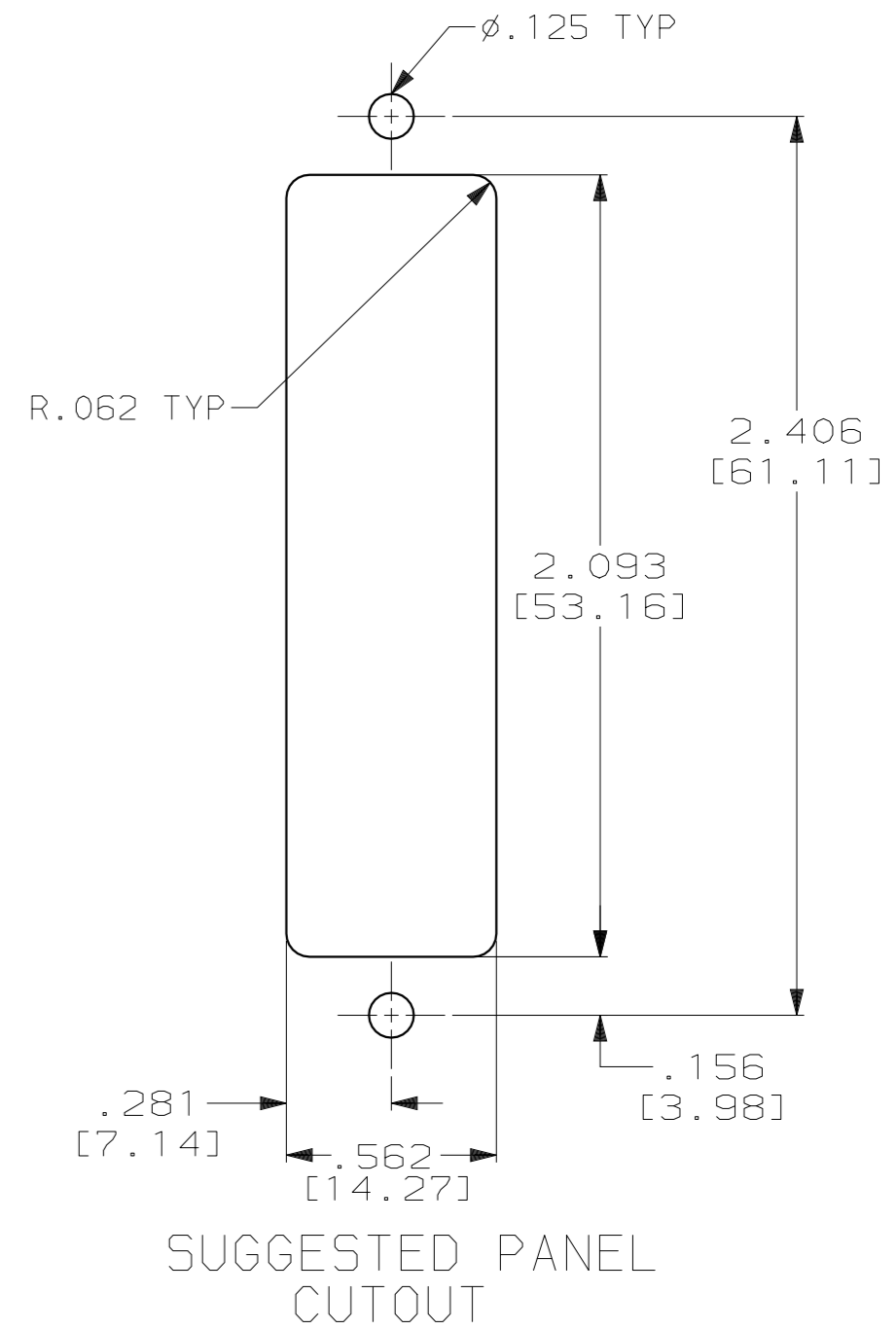
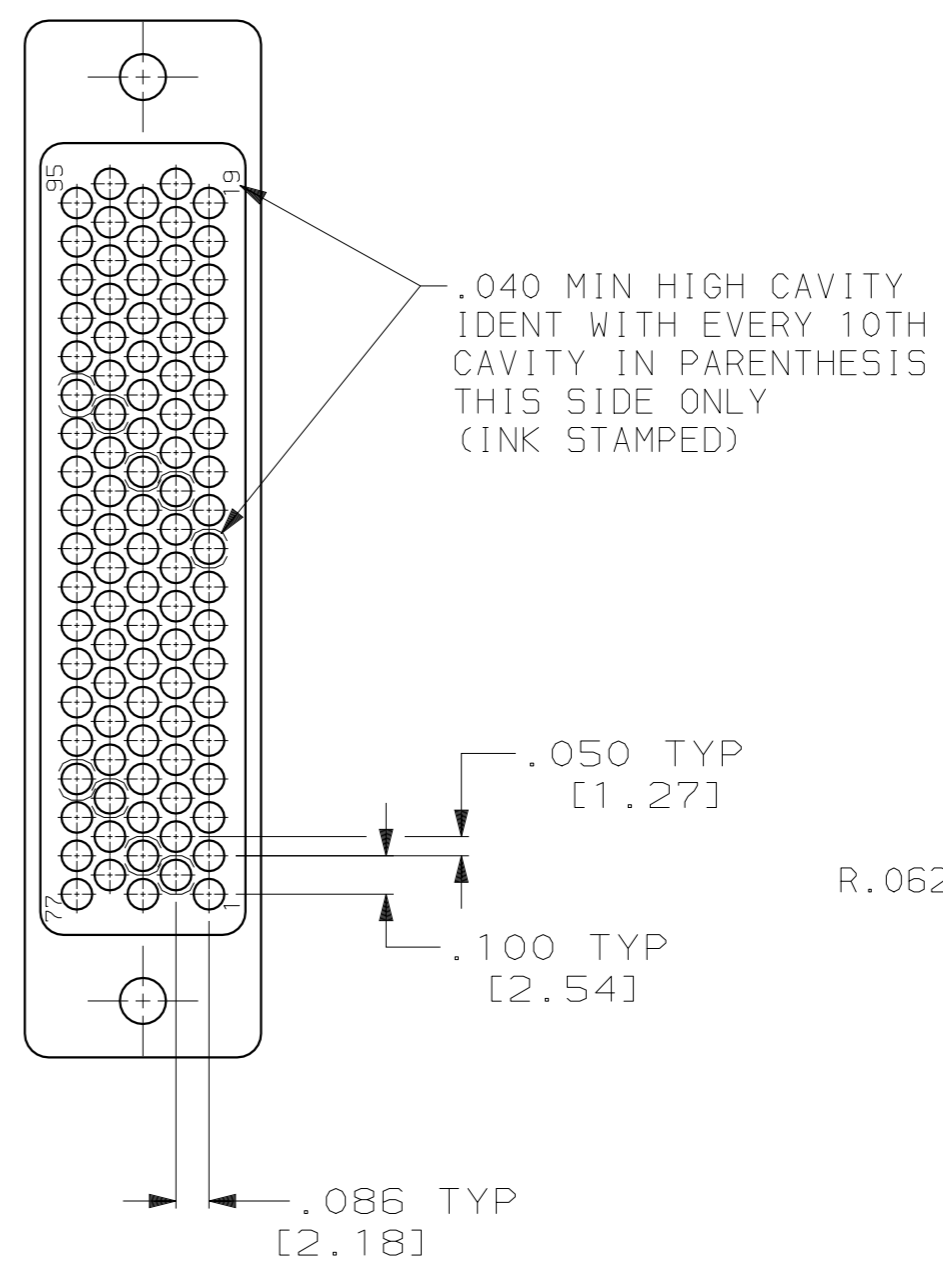
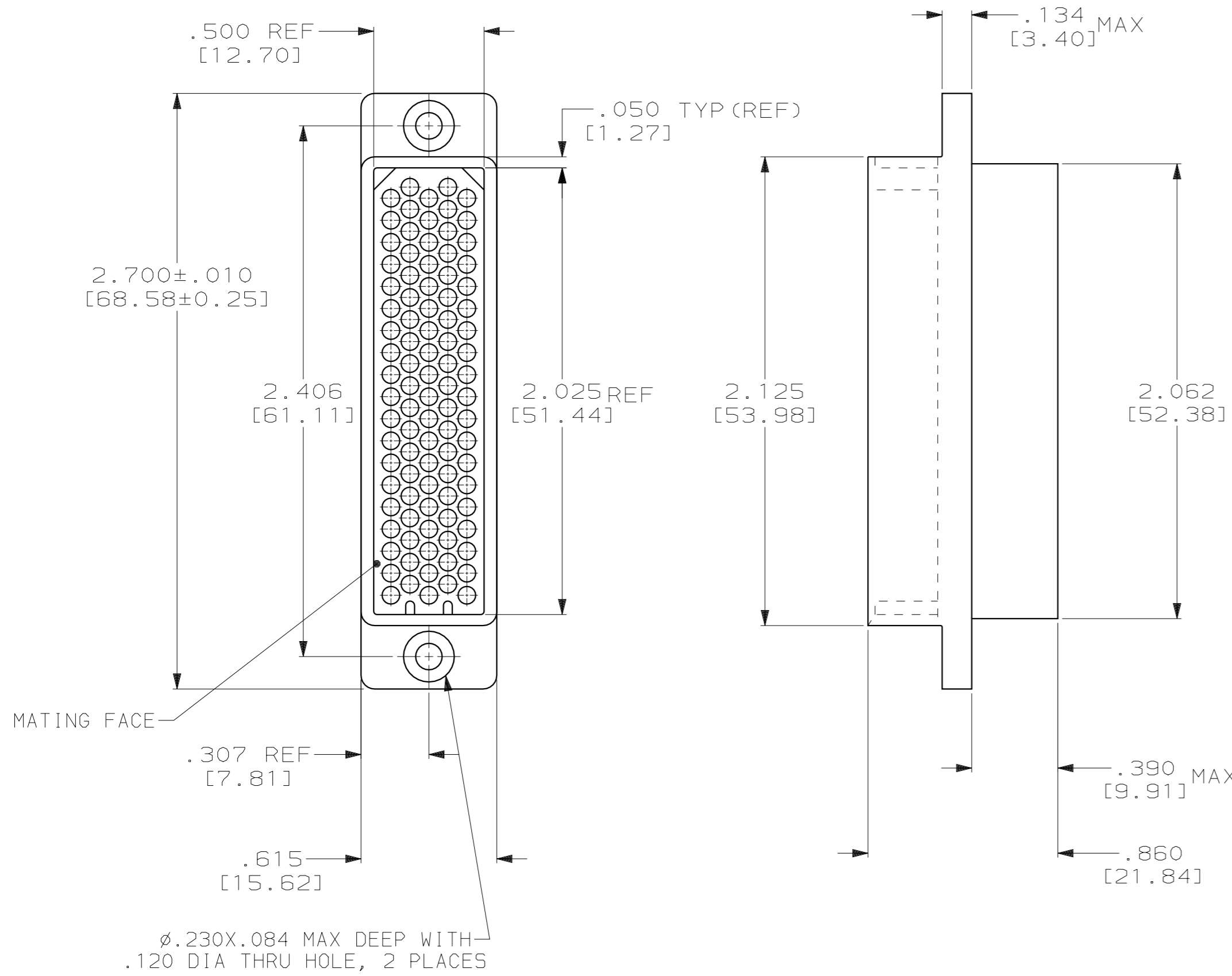
Email & Skype: info@chipsmall.com Web: www.chipsmall.com

Address: A1208, Overseas Decoration Building, #122 Zhenhua RD., Futian, Shenzhen, China



THIS DRAWING IS UNPUBLISHED. RELEASED FOR PUBLICATION  
 BY AMP INCORPORATED. ALL RIGHTS RESERVED.

LOC	DIST	REVISIONS					
DF	CO	P	LTR	DESCRIPTION	DATE	DWN	APVD
		0		DRAW PER DR, 6-129F	11-12-96	JB	DM



- 1. WILL ACCEPT AMP TYPE XI PIN OR SOCKET CONTACTS.
- 2. DIALLYL PHTHALATE (BLUE) PER MIL-M-14 TYPE SDG.

204027-2 AS SHOWN

THIS DRAWING IS A CONTROLLED DOCUMENT.		DWN	J. A. Baker	11-12-96	AMP Incorporated Harrisburg, PA 17105-3608				
DIMENSIONS: IN (MM)		CHK	D. MUMMEY	11-12-96					
TOLERANCES UNLESS OTHERWISE SPECIFIED:		APVD	D. MUMMEY	11-12-96					
0 PLC ±- 1 PLC ±- 2 PLC ±- 3 PLC ±.005 [0.13] 4 PLC ±- ANGLES ±-		PRODUCT SPEC	NAME			RECEPTACLE BLOCK, 95 POSITION ("HDR" SERIES)			
MATERIAL	FINISH	APPLIC. SPEC	-		SIZE	CAGE CODE	DRAWING NO	RESTRICTED TO	
		WEIGHT	-		A2	00779	C-204027	-	
CUSTOMER DRAWING				SCALE	2:1	SHEET	1 OF 1	REV	0