



Chipsmall Limited consists of a professional team with an average of over 10 year of expertise in the distribution of electronic components. Based in Hongkong, we have already established firm and mutual-benefit business relationships with customers from,Europe,America and south Asia,supplying obsolete and hard-to-find components to meet their specific needs.

With the principle of “Quality Parts,Customers Priority,Honest Operation,and Considerate Service”,our business mainly focus on the distribution of electronic components. Line cards we deal with include Microchip,ALPS,ROHM,Xilinx,Pulse,ON,Everlight and Freescale. Main products comprise IC,Modules,Potentiometer,IC Socket,Relay,Connector.Our parts cover such applications as commercial,industrial, and automotives areas.

We are looking forward to setting up business relationship with you and hope to provide you with the best service and solution. Let us make a better world for our industry!



Contact us

Tel: +86-755-8981 8866 Fax: +86-755-8427 6832

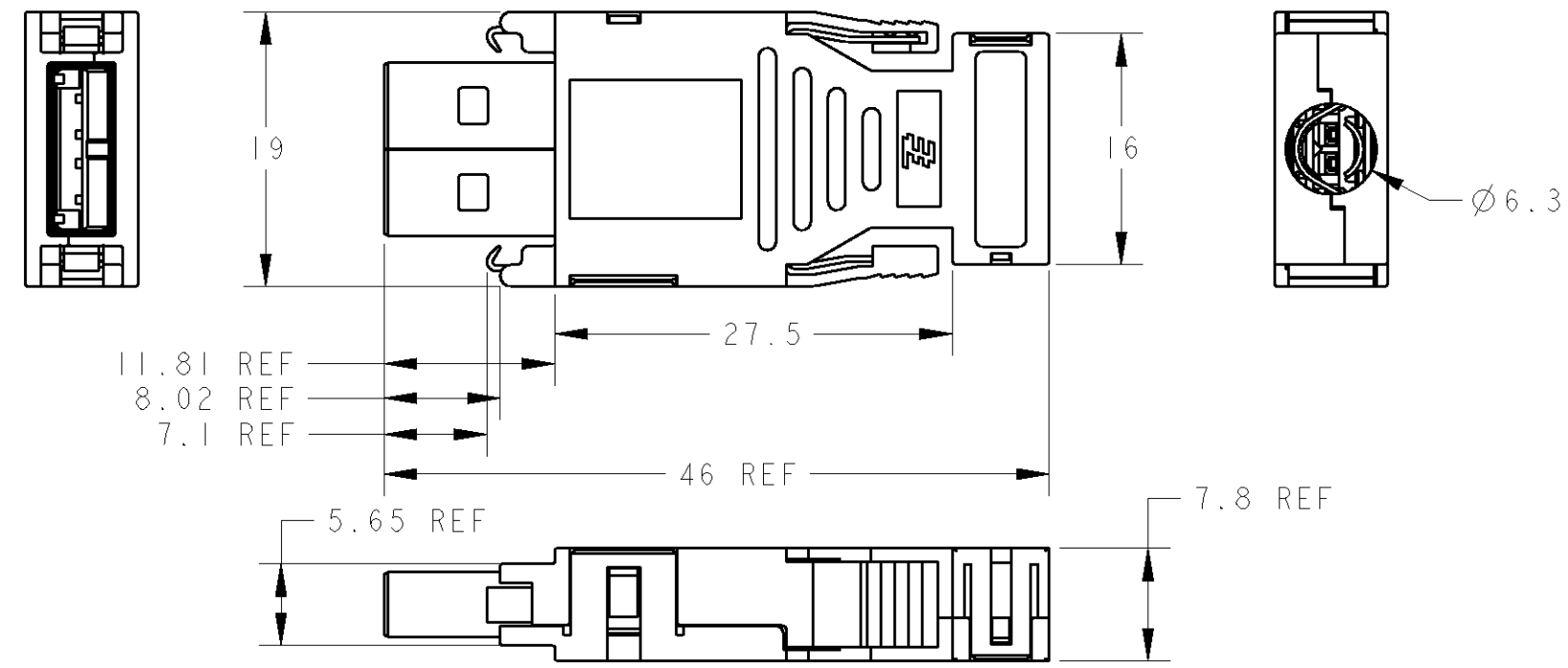
Email & Skype: info@chipsmall.com Web: www.chipsmall.com

Address: A1208, Overseas Decoration Building, #122 Zhenhua RD., Futian, Shenzhen, China



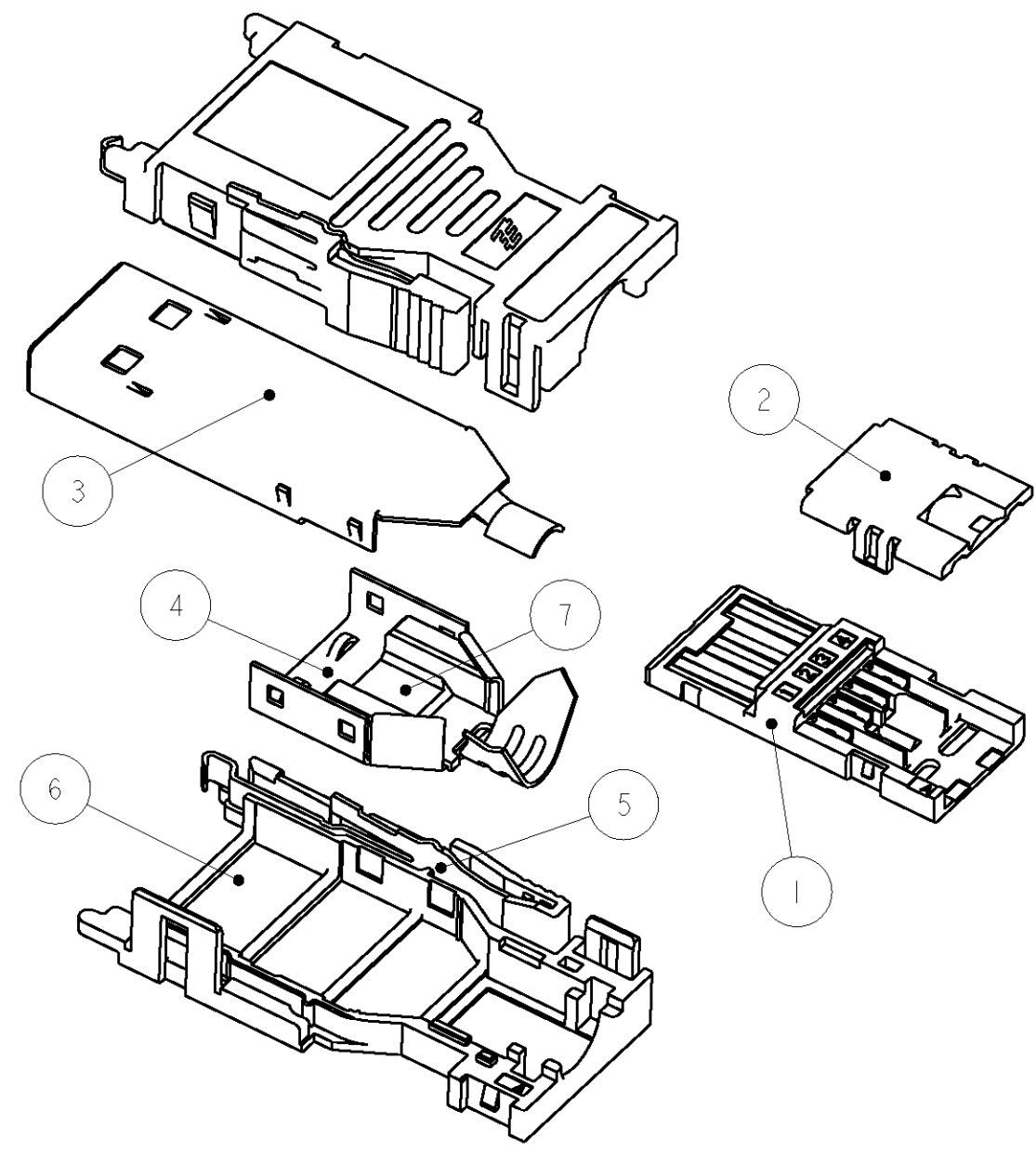
THIS DRAWING IS UNPUBLISHED.
 RELEASED FOR PUBLICATION
 20
 © COPYRIGHT 20 BY TYCO ELECTRONICS CORPORATION. ALL RIGHTS RESERVED.

LOC	DIST	REVISIONS					
		P	LTR	DESCRIPTION	DATE	DWN	APVD
J	-	C		REVISED PER ECR-10-008579	11MAY10	HMR	TM



- 1: 本図
 - 1: AS SHOWN

注記
 1 本図型番は大口梱包品。
 NOTE
 1 THIS PART NUMBER IS BULK PACK STYLE.



NO.	MATERIAL/FINISH	PART NAME	ITEM NO.
1	POLYAMIDE OF GLASS FILLED PLASTIC(UL94V-0) ガラス入りポリアミド系樹脂 UL94V-0	RETENTION HSG リテンション ハウジング	7
2	OLYESTER OF GLASS FILLED THERMO PLASTIC(UL94V-0) ガラス入り熱可塑性ポリエステル系樹脂 UL94V-0	COVER HSG カバー ハウジング	6
2	STAINLESS STEEL ステンレス鋼	LOCK SPRING ロック スプリング	5
1	STEEL/UNDER:COPPER PLATING, TOP: Ni PLATING 鋼/下地: 銅めっき, 表面: ニッケルめっき	BACK SHELL OF PLUG バック シェル	4
1	STEEL/UNDER:COPPER PLATING, TOP: Ni PLATING 鋼/下地: 銅めっき, 表面: ニッケルめっき	FRONT SHELL OF PLUG フロント シェル	3
1	POLYESTER OF GLASS FILLED THERMO PLASTIC(UL94V-0) ガラス入り熱可塑性ポリエステル系樹脂 UL94V-0	CAP HSG キャップ ハウジング	2
1	CONTACT(COPPER ALLOY/ UNDER ALL SURFACE: Ni PLATING 1.27 μ m MIN TOP CONTACT AREA: Au PLATING 0.76 μ m MIN SOLDERING AREA: Tin PLATING 2 μ m MIN) HSG(POLYAMIDE OF GLASS FILLED PLASTIC(UL94V-0)) コンタクト(銅合金/ 全面: ニッケルめっき下地 1.27 μ m以上 表面 接点部: 金めっき 0.76 μ m以上 半田付け部: 錫めっき 2 μ m以上) ハウジング(ガラス入りポリアミド系樹脂 UL94V-0)	PLUG HSG ASSY プラグ ハウジング アセンブリ	1
REQUIRED PAR ASSEMBLY	MATERIAL/FINISH 材料/仕上げ	PART NAME 部品名称	ITEM NO.

THIS DRAWING IS A CONTROLLED DOCUMENT FOR TYCO ELECTRONICS CORPORATION
 IT IS SUBJECT TO CHANGE AND THE CONTROLLING ENGINEERING ORGANIZATION
 SHOULD BE CONTACTED FOR THE LATEST REVISION.

DWN	21DEC2007	Tyco Electronics Corporation Kawasaki, Japan	NAME 名称 INDUSTRIAL USB PLUG CONNECTOR KIT BULK PACK STYLE
CHK	S. INOMATA		
APVD	21DEC2007		
PRODUCT SPEC	L. HASEGAWA		
APPLICATION SPEC	108-78523	SIZE	A3
取付適用規格	114-5434	CAGE CODE	00779
MATERIAL	-	DRAWING NO	C=2040305
FINISH	-	WEIGHT	29.9(g)
CUSTOMER DRAWING		RESTRICTED TO	-
DIMENSIONS: 単位: 概 mm		SCALE 尺度 2:1	
TOLERANCES UNLESS OTHERWISE SPECIFIED: 一般公差 ± 0.3		SHEET 1 OF 1	
0 PLC	\pm	REV C	
1 PLC	\pm		
2 PLC	\pm		
3 PLC	\pm		
4 PLC	\pm		
ANGLES	\pm		