



Chipsmall Limited consists of a professional team with an average of over 10 year of expertise in the distribution of electronic components. Based in Hongkong, we have already established firm and mutual-benefit business relationships with customers from,Europe,America and south Asia,supplying obsolete and hard-to-find components to meet their specific needs.

With the principle of “Quality Parts,Customers Priority,Honest Operation,and Considerate Service”,our business mainly focus on the distribution of electronic components. Line cards we deal with include Microchip,ALPS,ROHM,Xilinx,Pulse,ON,Everlight and Freescale. Main products comprise IC,Modules,Potentiometer,IC Socket,Relay,Connector.Our parts cover such applications as commercial,industrial, and automotives areas.

We are looking forward to setting up business relationship with you and hope to provide you with the best service and solution. Let us make a better world for our industry!



## Contact us

Tel: +86-755-8981 8866 Fax: +86-755-8427 6832

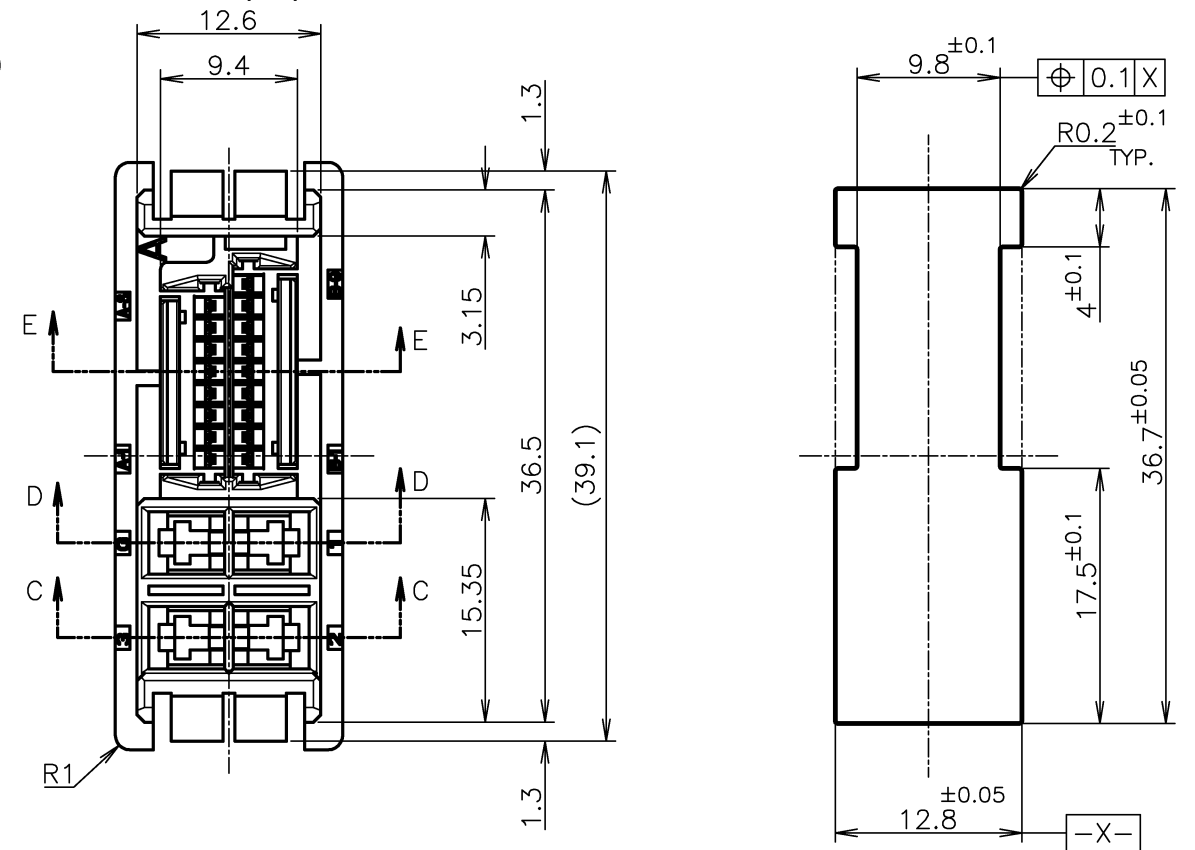
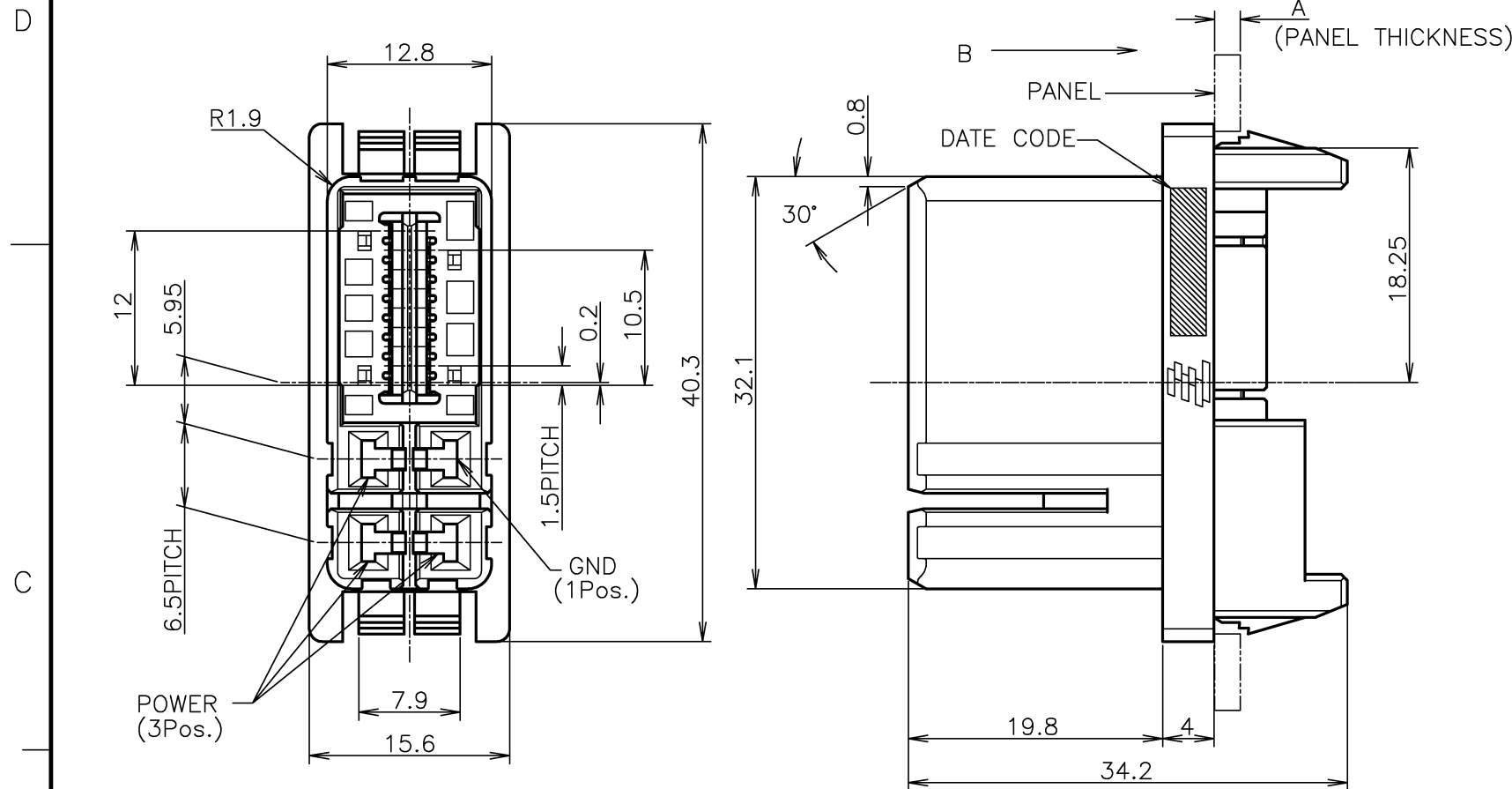
Email & Skype: info@chipsmall.com Web: www.chipsmall.com

Address: A1208, Overseas Decoration Building, #122 Zhenhua RD., Futian, Shenzhen, China

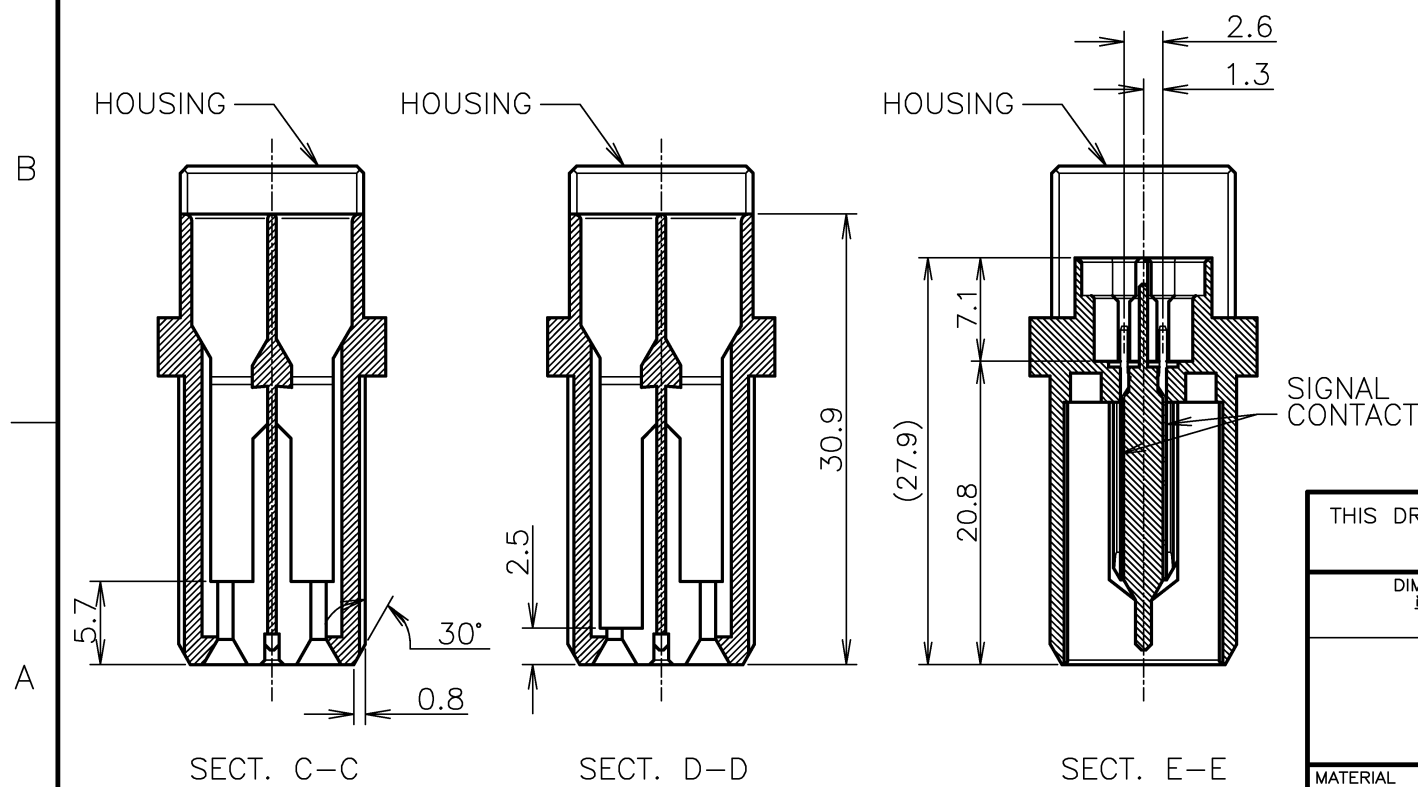


THIS DRAWING IS UNPUBLISHED. RELEASED FOR PUBLICATION  
 © COPYRIGHT BY TYCO ELECTRONICS CORPORATION. ALL RIGHTS RESERVED.

LOC	DIST	REVISIONS					
J		P	LTR	DESCRIPTION	DATE	DWN	APVD
		C	REVISED		31OCT2008	M.K	T.Y



PANEL CUT DIMENSION(VIEW B)



- NOTE
- GENERAL TOLERANCE :  $\pm 0.3, \pm 3^\circ$
  - MATERIAL  
 SIGNAL CONTACT : BRASS  
 HOUSING : THERMOPLASTIC, COLOR:BLACK
  - MATING CONNECTOR: 2040340-1
  - RECOMMENDED POWER CONTACT: 1981378-1(Au PLATING)  
 1-1981378-1(PRE-TIN)
  - RECOMMENDED GROUND CONTACT: 1981379-1(Au PLATING)  
 1-1981379-1(PRE-TIN)

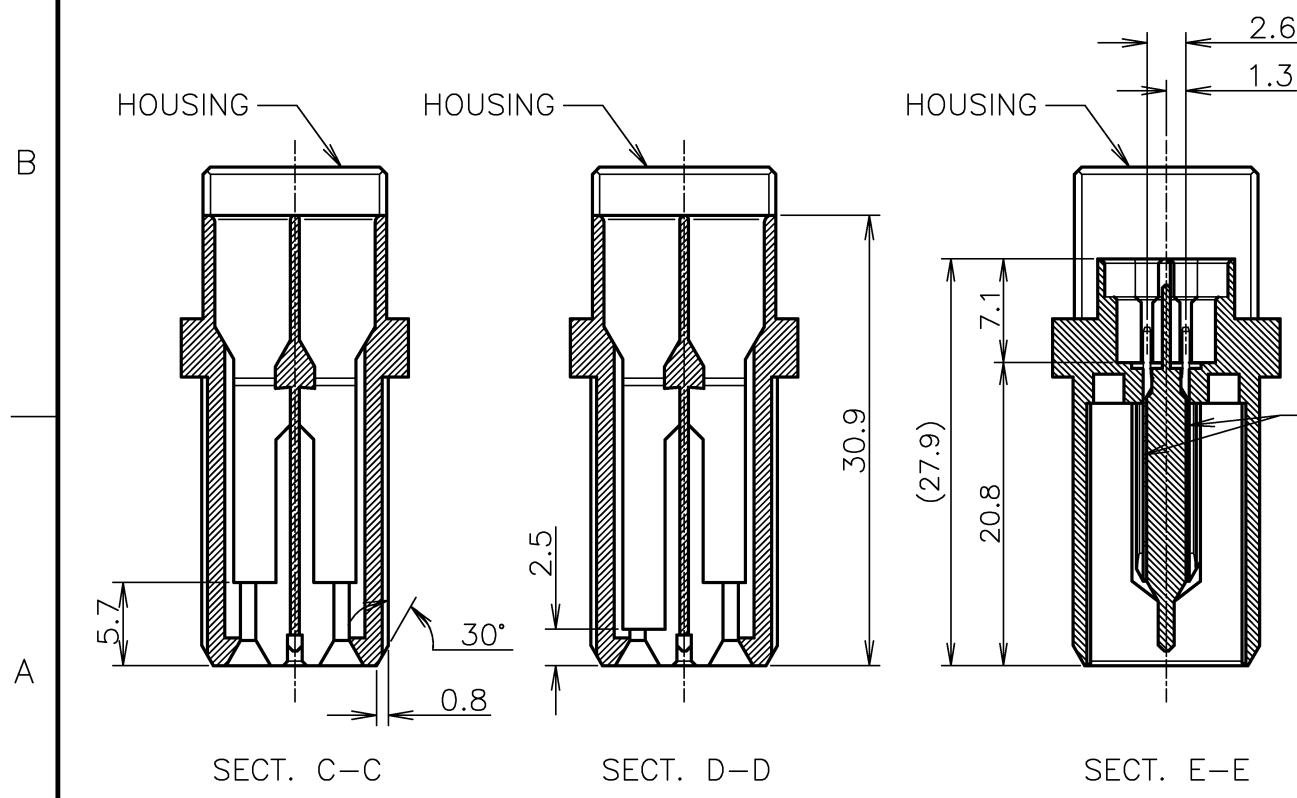
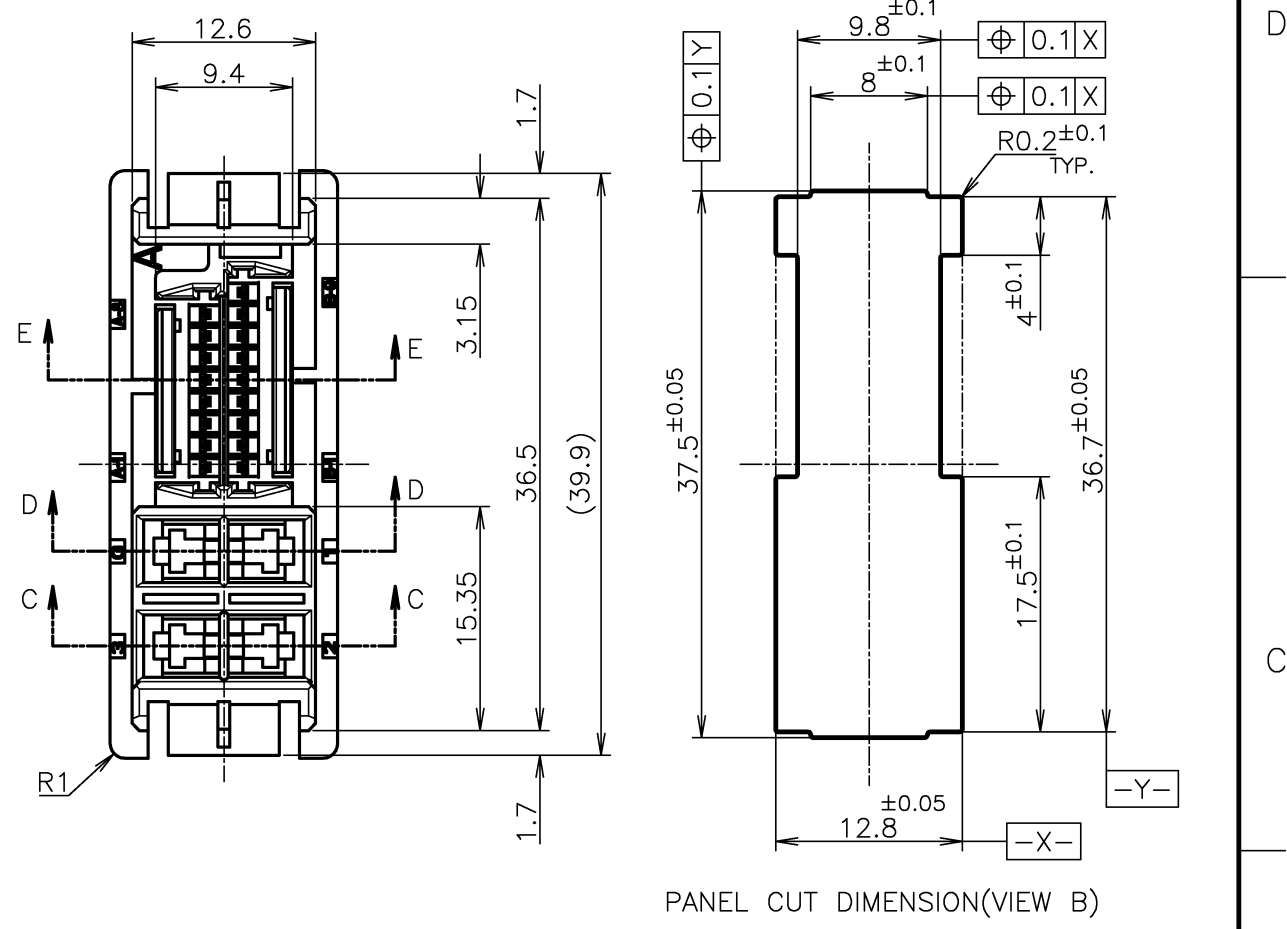
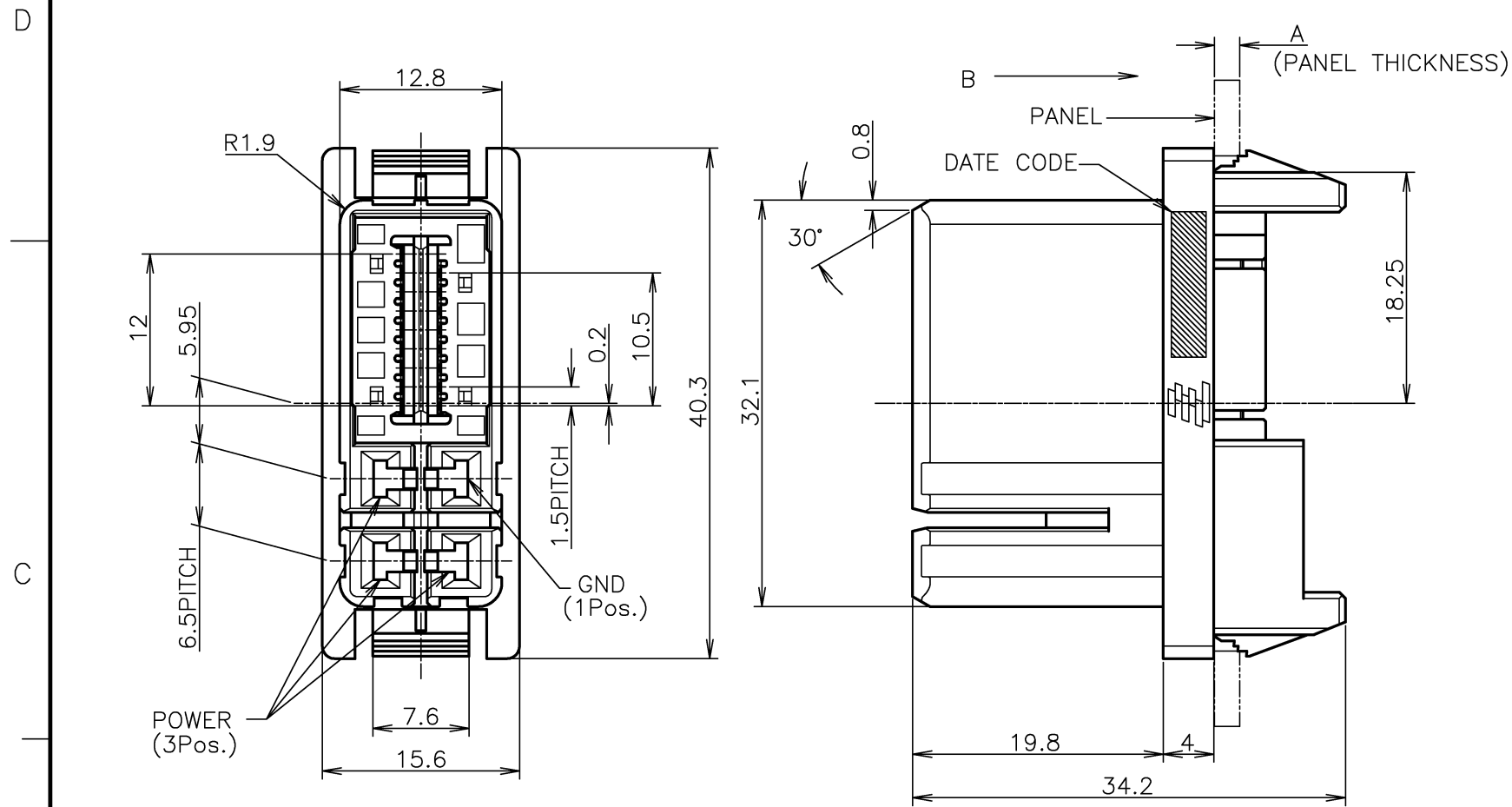
2040339-1:AS SHOWN

2.0 $\pm$ 0.1  
 DIMENSION "A"  
 (PANEL THICKNESS)

THIS DRAWING IS A CONTROLLED DOCUMENT.		DWN M.KATO 22APR2008	Tyco Electronics Corporation Kawasaki, Japan	
DIMENSIONS: 単位: 精 mm		CHK T.YAMADA 22APR2008	NAME 名称 REC. ASSY 1.5mm PITCH MINI CT SNAP-FIT HYBRID DRAWER CONNRCUTOR,SLIM TYPE 4-17Pos.	
TOLERANCES UNLESS OTHERWISE SPECIFIED: 一般公差		APVD T.YAMADA 22APR2008	DRAWING NO 番号 G-2040339	
0 PLC $\pm$ - 1 PLC $\pm$ - 2 PLC $\pm$ - 3 PLC $\pm$ - 4 PLC $\pm$ - ANGLES $\pm$ -		PRODUCT SPEC 製品規格 108-78540	SIZE A3	CAGE CODE 00779
MATERIAL 材料		FINISH 仕上	WEIGHT	RESTRICTED TO
		CUSTOMER DRAWING		SCALE 尺度 2:1
				SHEET 1 of 3
				REV C

THIS DRAWING IS UNPUBLISHED. RELEASED FOR PUBLICATION  
 © COPYRIGHT BY TYCO ELECTRONICS CORPORATION. ALL RIGHTS RESERVED.

LOC	DIST	REVISIONS					
J		P	LTR	DESCRIPTION	DATE	DWN	APVD
				SEE SHEET 1			



- NOTE
- GENERAL TOLERANCE :  $\pm 0.3, \pm 3^\circ$
  - MATERIAL  
 SIGNAL CONTACT : BRASS  
 HOUSING : THERMOPLASTIC, COLOR:BLACK
  - MATING CONNECTOR: 2040340-1
  - RECOMMENDED POWER CONTACT: 1981378-1(Au PLATING)  
 1-1981378-1(PRE-TIN)
  - RECOMMENDED GROUND CONTACT: 1981379-1(Au PLATING)  
 1-1981379-1(PRE-TIN)

2040339-2:AS SHOWN

2.0 ± 0.05  
 DIMENSION "A"  
 (PANEL THICKNESS)

THIS DRAWING IS A CONTROLLED DOCUMENT.		DWN	Tyco Electronics Corporation Kawasaki, Japan	
DIMENSIONS: 単位: 精 mm		CHK	NAME 名称	
TOLERANCES UNLESS OTHERWISE SPECIFIED: 一般公差		APVD	REC. ASSY 1.5mm PITCH MINI CT SNAP-FIT HYBRID DRAWER CONNRCUTOR,SLIM TYPE 4-17Pos.	
0 PLC ± -	1 PLC ± -	PRODUCT SPEC 製品規格	SIZE	CAGE CODE
2 PLC ± -	3 PLC ± -	108-78540	A3	00779
4 PLC ± -	ANGLES ± -	APPLICATION SPEC 取付適用規格	DRAWING NO 番号	G-2040339
MATERIAL 材料	FINISH 仕上	WEIGHT	RESTRICTED TO	
			SCALE 尺度 NTS	
CUSTOMER DRAWING		SHEET 2 of 3		REV C

4

3

2

1

THIS DRAWING IS UNPUBLISHED.

RELEASED FOR PUBLICATION

© COPYRIGHT BY TYCO ELECTRONICS CORPORATION. ALL RIGHTS RESERVED.

LOC  
J

DIST

REVISIONS

変更

P

LTR

DESCRIPTION

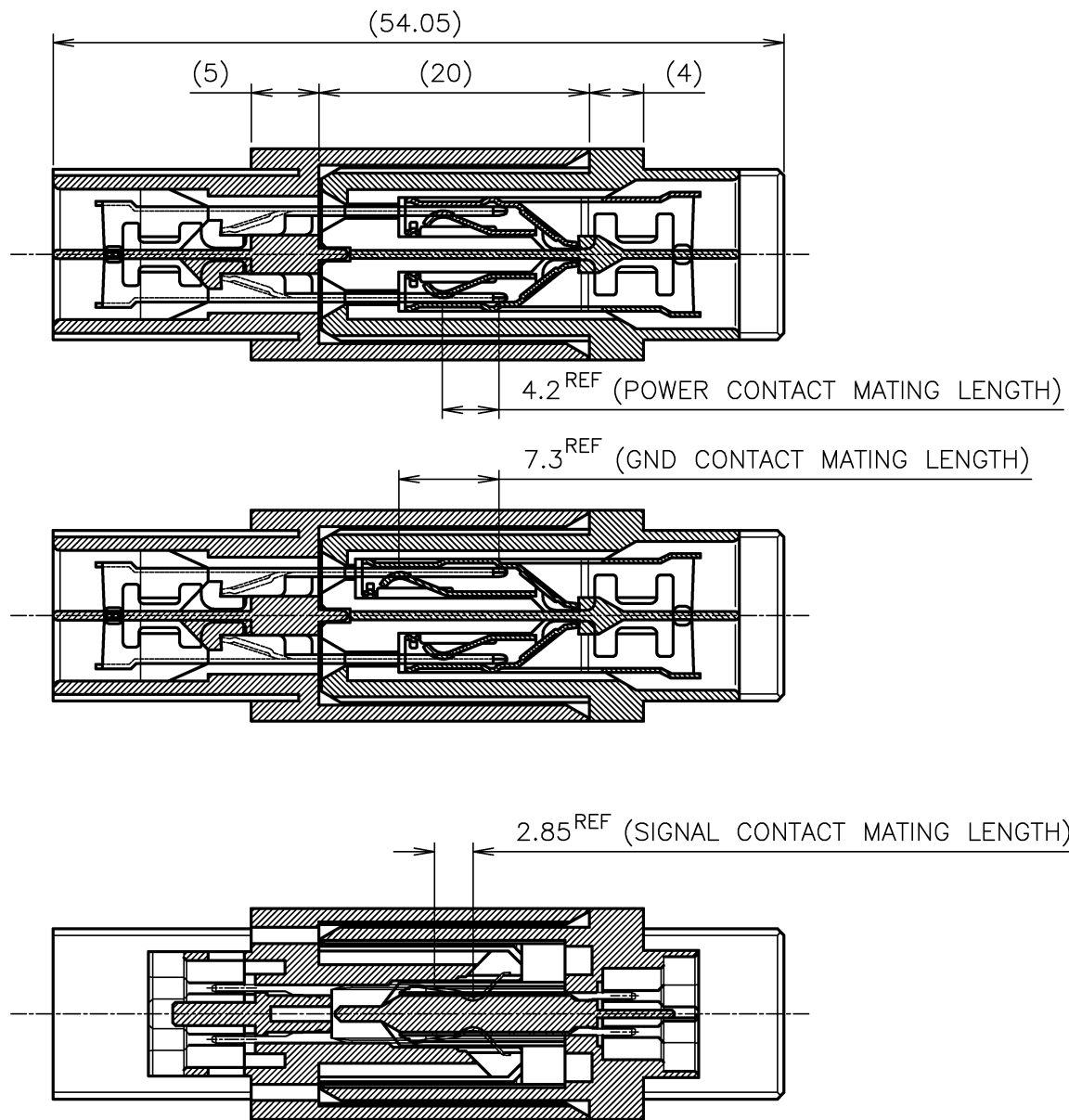
DATE

DWN

APVD

SEE SHEET 1

DIMENSIONS ARE REFERENCE ONLY.



THIS DRAWING IS A CONTROLLED DOCUMENT.

DWN

CHK

APVD

PRODUCT SPEC

製品規格

APPLICATION SPEC

取付適用規格

WEIGHT

CUSTOMER DRAWING



Tyco Electronics Corporation  
Kawasaki, Japan

NAME

名称

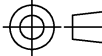
REC. ASSY 1.5mm PITCH MINI CT

製品規格

SIZE A3 CAGE CODE 00779 DRAWING NO. 番号 C-2040339

RESTRICTED TO

DIMENSIONS:  
単位: 精  
mm



MATERIAL

材料

TOLERANCES UNLESS OTHERWISE SPECIFIED:  
一般公差

- 0 PLC ± -
- 1 PLC ± -
- 2 PLC ± -
- 3 PLC ± -
- 4 PLC ± -
- ANGLES ± -

FINISH

仕上

SCALE 尺度 NTS

SHEET

3 OF 3

REV C