



Chipsmall Limited consists of a professional team with an average of over 10 year of expertise in the distribution of electronic components. Based in Hongkong, we have already established firm and mutual-benefit business relationships with customers from,Europe,America and south Asia,supplying obsolete and hard-to-find components to meet their specific needs.

With the principle of "Quality Parts,Customers Priority,Honest Operation,and Considerate Service",our business mainly focus on the distribution of electronic components. Line cards we deal with include Microchip,ALPS,ROHM,Xilinx,Pulse,ON,Everlight and Freescale. Main products comprise IC,Modules,Potentiometer,IC Socket,Relay,Connector.Our parts cover such applications as commercial,industrial, and automotives areas.

We are looking forward to setting up business relationship with you and hope to provide you with the best service and solution. Let us make a better world for our industry!



Contact us

Tel: +86-755-8981 8866 Fax: +86-755-8427 6832

Email & Skype: info@chipsmall.com Web: www.chipsmall.com

Address: A1208, Overseas Decoration Building, #122 Zhenhua RD., Futian, Shenzhen, China



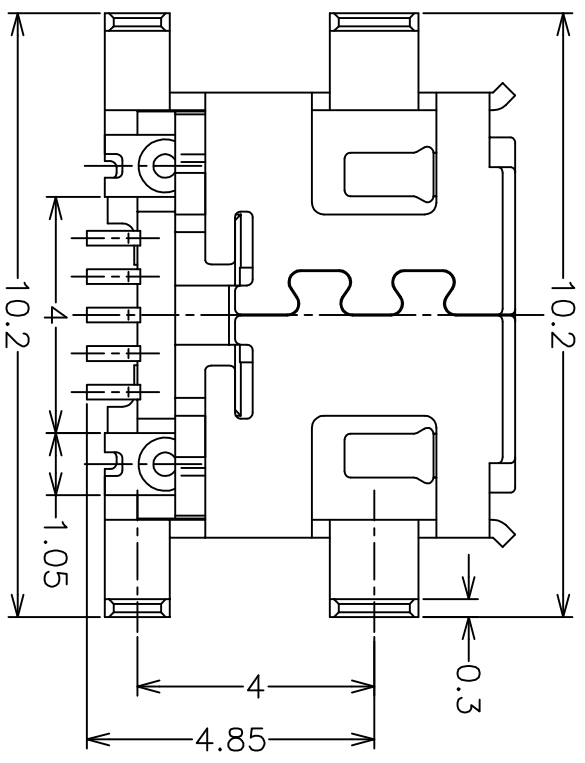
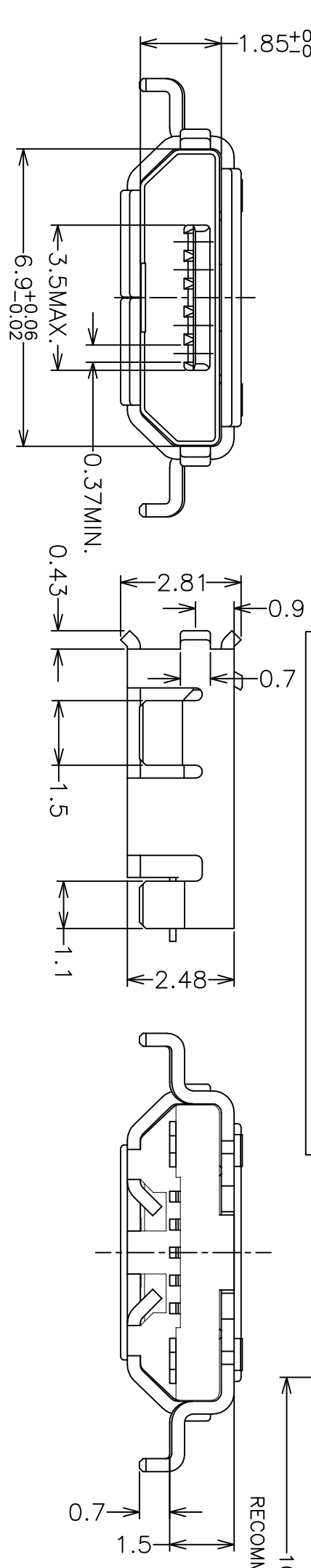
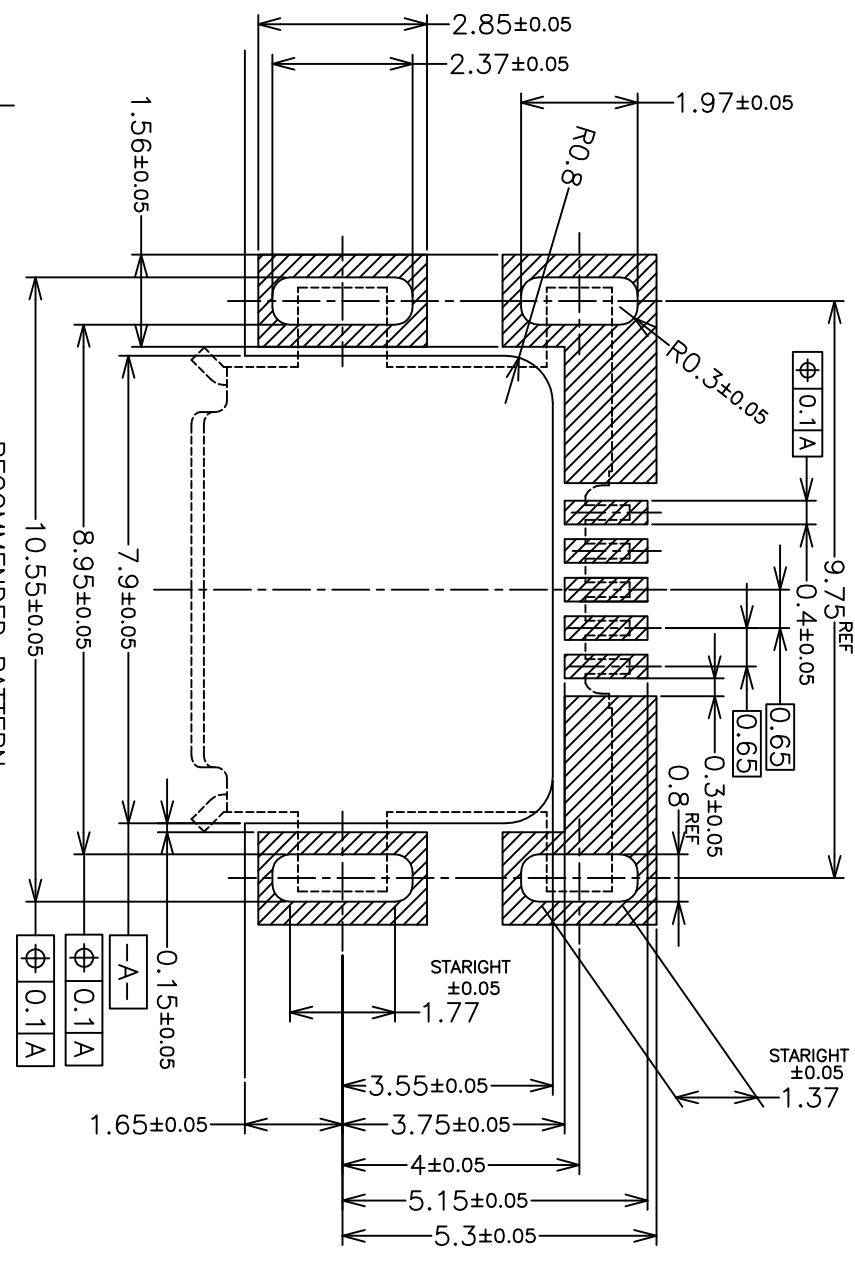
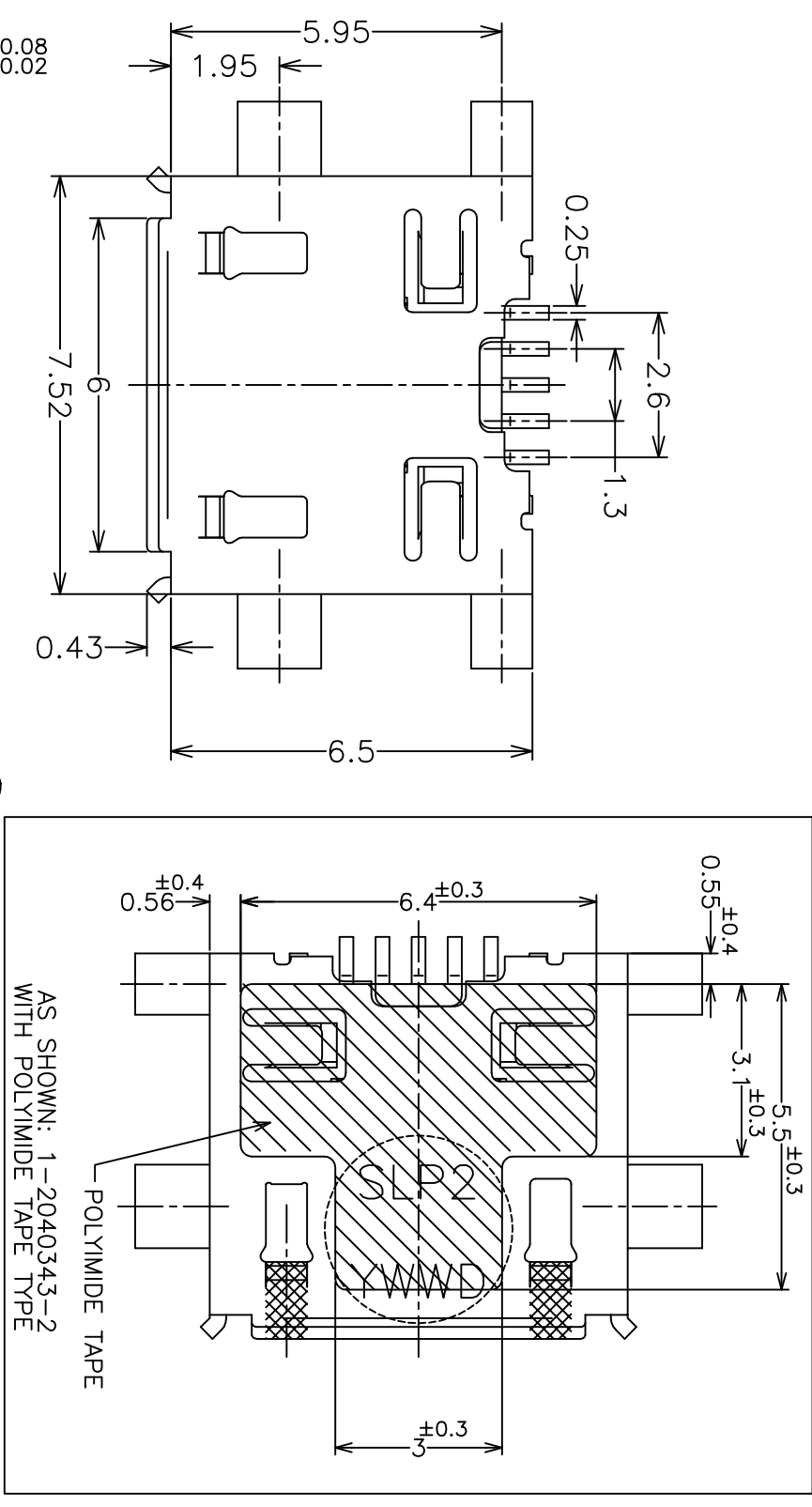
THIS DRAWING IS UNPUBLISHED.

RELEASED FOR PUBLICATION
ALL RIGHTS RESERVED.

© COPYRIGHT - By -

LOC	DIST
-	-

REVISIONS		DATE	DMN	APVD
P	LTR	DESCRIPTION		
A	RELEASED		OSMAR09	M.I
B1	REVISED	ECR-12-000186	SMAR2012	T.Z S.Y



THIS DRAWING IS A CONTROLLED DOCUMENT.

DIMENSIONS:
单位: 毫米

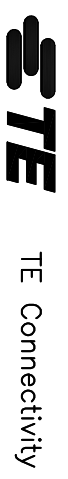
TOLERANCES UNLESS OTHERWISE SPECIFIED:
一般公差

0	PLC	± 0.3
1	PLC	± 0.3
2	PLC	± 0.3
3	PLC	± 0.3
4	PLC ANGLES	± 0.3

FINISH
仕上

MATERIAL
材料

DMN	M.IWASAKI	OSMAR09	NAME	MICRO USB CONNECTOR MID-MOUNT DIP
CHK	A.KUBO	OSMAR09	TAPE MATERIAL	LASER WELDING
APVD	Y.NAKAZAWA	OSMAR09	PRODUCT SPEC	PARTS NUMBER
			APPLICATION SPEC	
			取付適用規格	
			WEIGHT	



TE Connectivity

DMN	M.IWASAKI	OSMAR09	NAME	MICRO USB CONNECTOR MID-MOUNT DIP
CHK	A.KUBO	OSMAR09	TAPE MATERIAL	LASER WELDING
APVD	Y.NAKAZAWA	OSMAR09	PRODUCT SPEC	PARTS NUMBER
			APPLICATION SPEC	
			取付適用規格	
			WEIGHT	

CUSTOMER DRAWING

THIS DRAWING IS UNPUBLISHED.

RELEASED FOR PUBLICATION

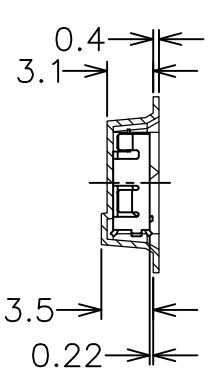
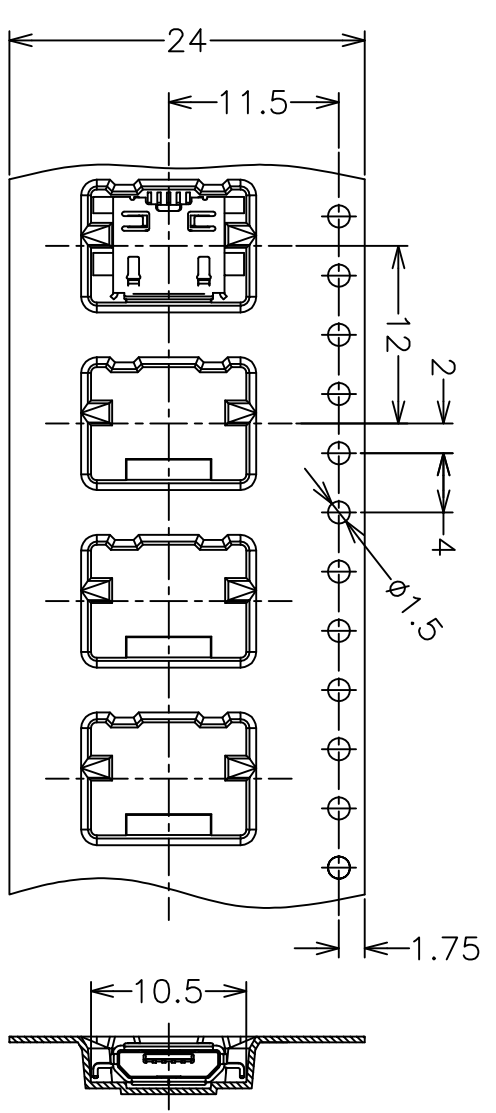
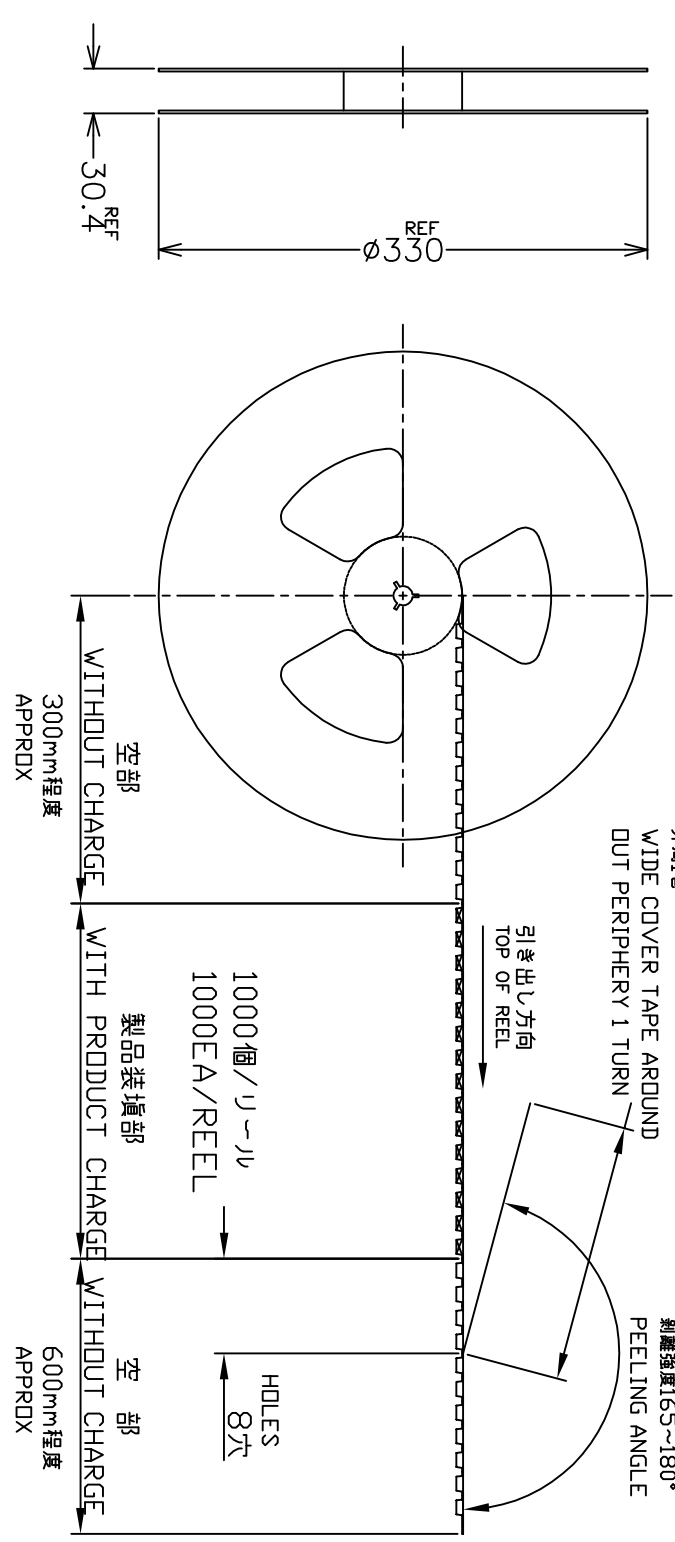
ALL RIGHTS RESERVED.

© COPYRIGHT - By -

REVISIONS

NO	DATE	DMN	APVD
1	-	-	-

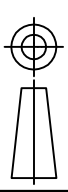
REV	DESCRIPTION
P	LTR
-	SEE SHEET 1



TOP OF REEL →

THIS DRAWING IS A CONTROLLED DOCUMENT.

DIMENSIONS: 単位: 特 mm



TOLERANCES UNLESS OTHERWISE SPECIFIED: 一般公差

0	PLC	±
1	PLC	±
2	PLC	±
3	PLC	±
4	PLC	±
ANGLES		±
FINISH		仕上

MATERIAL 材料

STE TE Connectivity

MICRO USB CONNECTOR
MID-MOUNT DIP

DMN	-
CHK	-
APVD	-
PRODUCT SPEC	-
APPLICATION SPEC	-
WEIGHT	-
CUSTOMER DRAWING	-
NAME 名称	-
SIZE	A3
CAGE CODE	00779
DRAWING NO 番号	2040343
SCALE 尺度	NTS
SHEET	2 of 2
RESTRICTED TO	B1