



Chipsmall Limited consists of a professional team with an average of over 10 year of expertise in the distribution of electronic components. Based in Hongkong, we have already established firm and mutual-benefit business relationships with customers from,Europe,America and south Asia,supplying obsolete and hard-to-find components to meet their specific needs.

With the principle of “Quality Parts,Customers Priority,Honest Operation,and Considerate Service”,our business mainly focus on the distribution of electronic components. Line cards we deal with include Microchip,ALPS,ROHM,Xilinx,Pulse,ON,Everlight and Freescale. Main products comprise IC,Modules,Potentiometer,IC Socket,Relay,Connector.Our parts cover such applications as commercial,industrial, and automotives areas.

We are looking forward to setting up business relationship with you and hope to provide you with the best service and solution. Let us make a better world for our industry!



Contact us

Tel: +86-755-8981 8866 Fax: +86-755-8427 6832

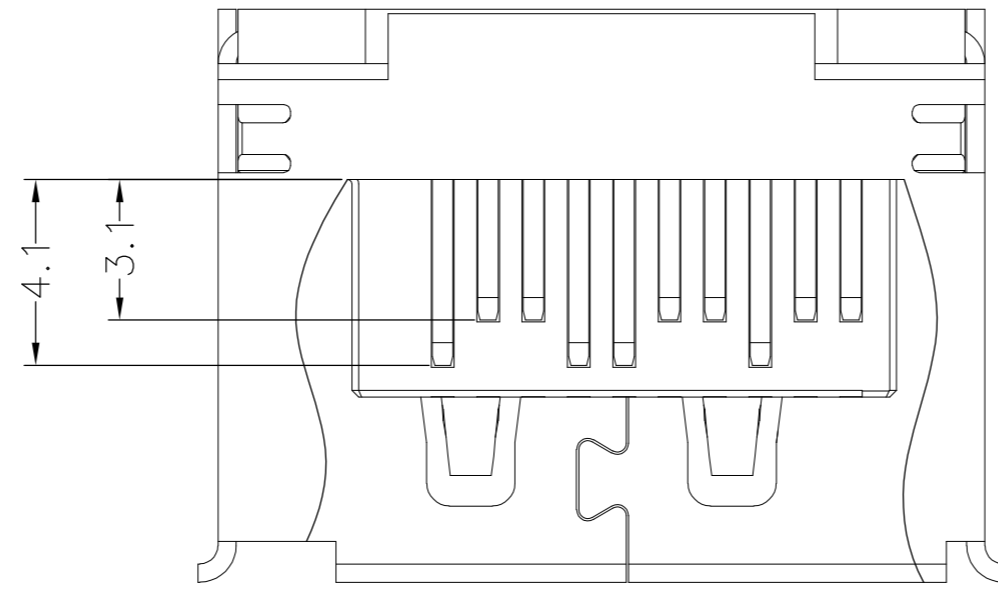
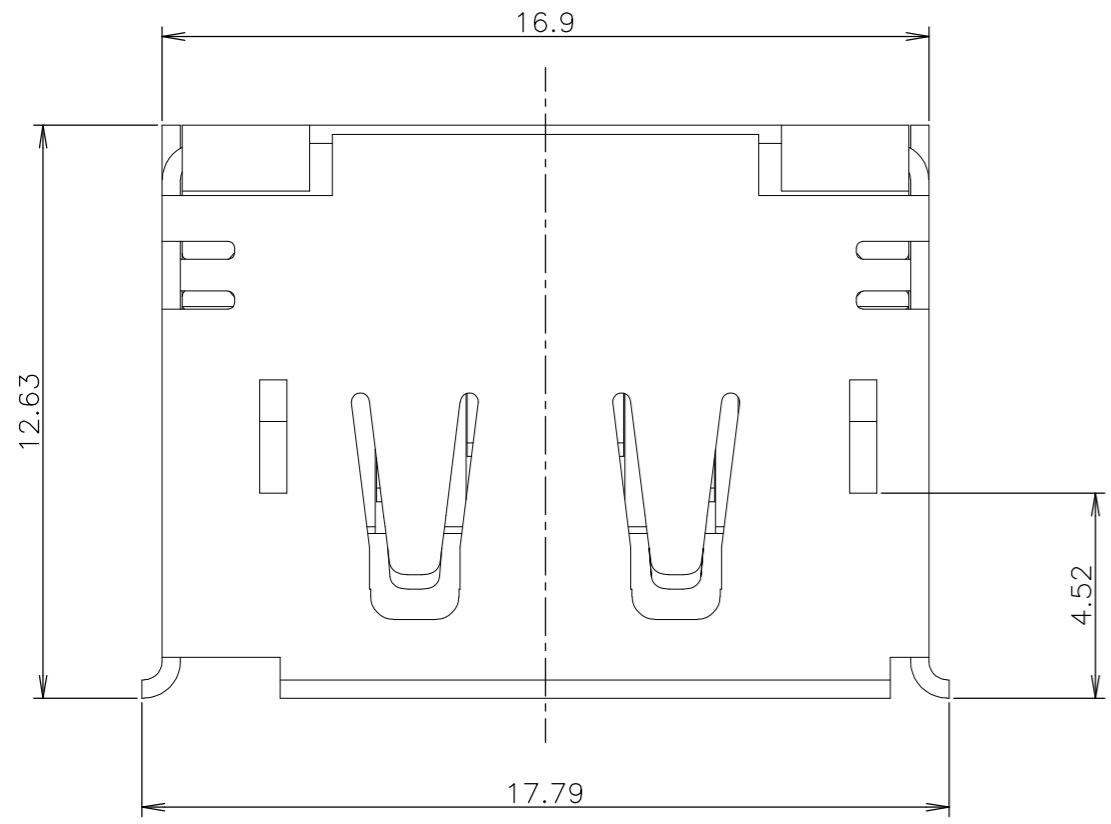
Email & Skype: info@chipsmall.com Web: www.chipsmall.com

Address: A1208, Overseas Decoration Building, #122 Zhenhua RD., Futian, Shenzhen, China

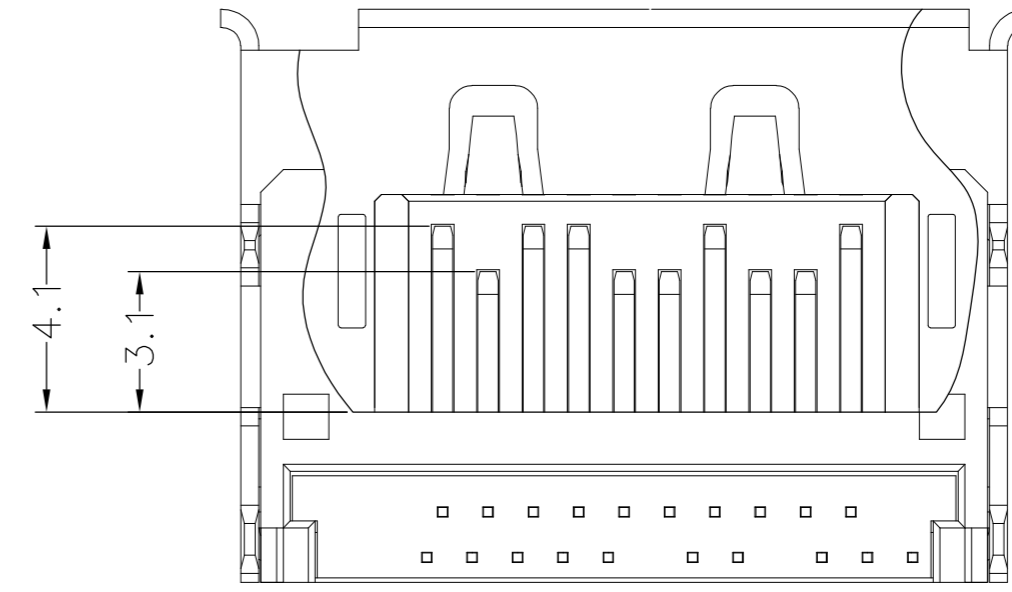


THIS DRAWING IS UNPUBLISHED. RELEASED FOR PUBLICATION JAN , 2008.
 © COPYRIGHT 2008 By - ALL RIGHTS RESERVED.

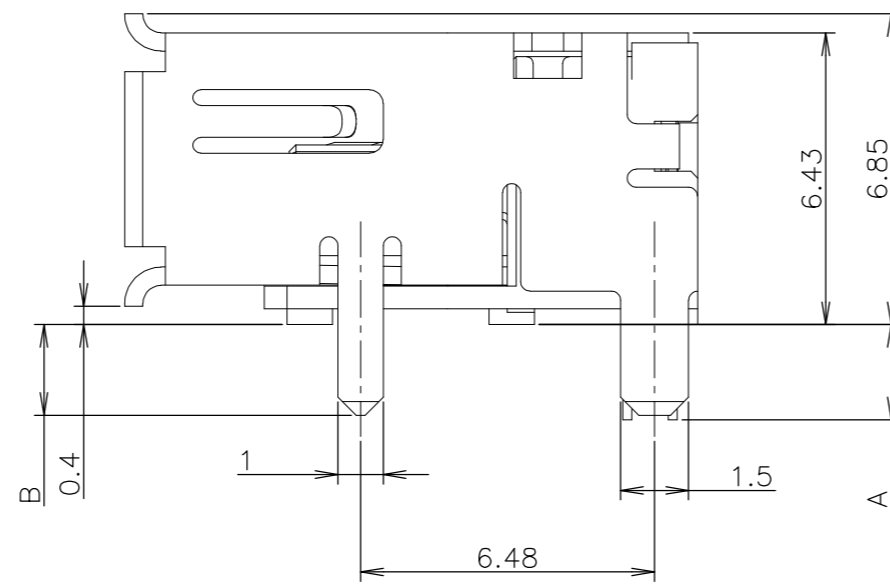
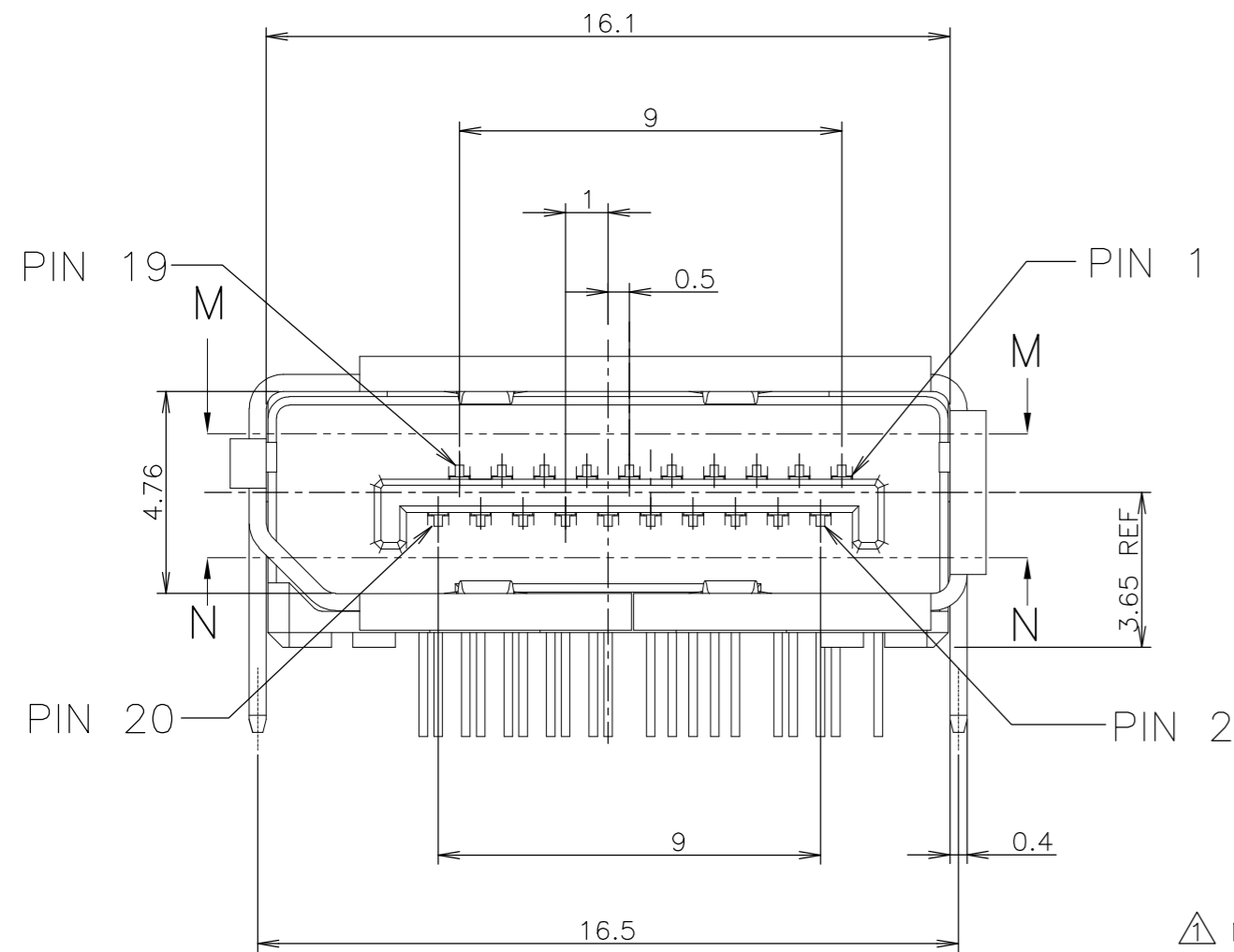
LOC DW	DIST	REVISONS 変更			DATE	DWN	APVD
P	LTR	DESCRIPTION					
C1		REVISED PER ECO-11-005027		11MAR11	RK	HMR	



© M-M



© N-N



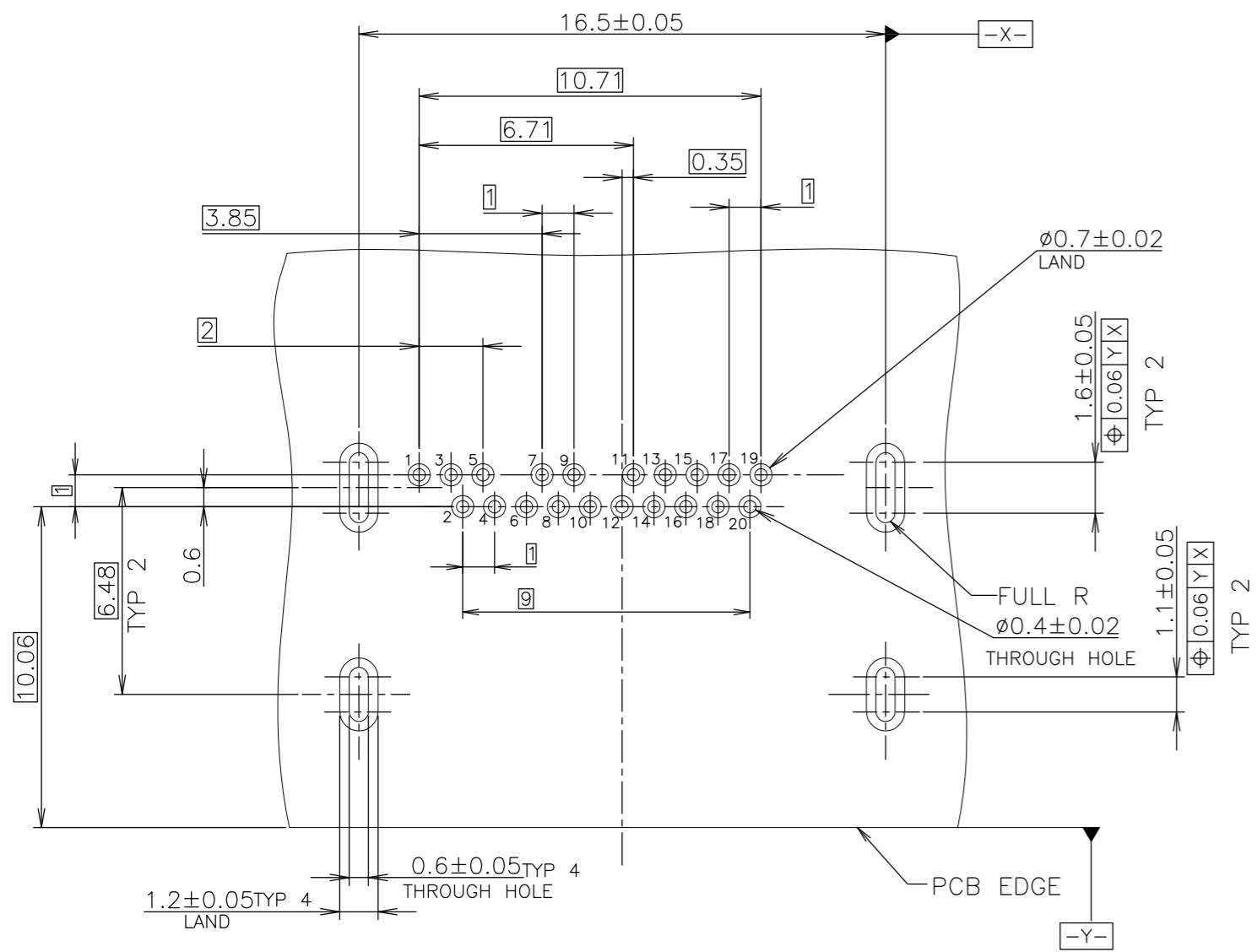
- △ MATERIAL:
HOUSING: HIGH TEMPERATURE THERMAL PLASTIC, BLACK, UL94V-0.
CONTACT: COPPER ALLOY.
SHELL: COPPER ALLOY.
- △ FINISH:
CONTACT:
CONTACT AREA: GOLD PLATING (SEE TABLE)
③ SOLDER TAIL AREA: 2.54 MINIMUM MICRON MATTE TIN PLATING.
UNDER PLATING: 1.27 MINIMUM MICRON NICKEL PLATING OVERALL.
- SHELL:
③③ 2.0 MINIMUM MICRON NICKEL UNDERPLATING ALL OVER
- ③ 3. LOW HALOGEN SPECIFICATION
CHLORINE(Cl) : 900 ppm MAX.
BROMINE(Br) : 900 ppm MAX.
CHLORINE(Cl) & BROMINE(Br) : 1500 ppm MAX.

③	1.8	1.8	0.76	9-	-1	SEE SHEET 5
			GOLD FLASH	4-	-3	SEE SHEET 4
③	1.8	1.8	0.38	4-	-2	SEE SHEET 4
			0.76	4-	-1	SEE SHEET 4
	2	2.1	GOLD FLASH		-3	SEE SHEET 3
			0.38		-2	SEE SHEET 3
			0.76	2040451-1		SEE SHEET 3
DIM B	DIM A	△ Au (MIN. um)	P/N	PACKING		

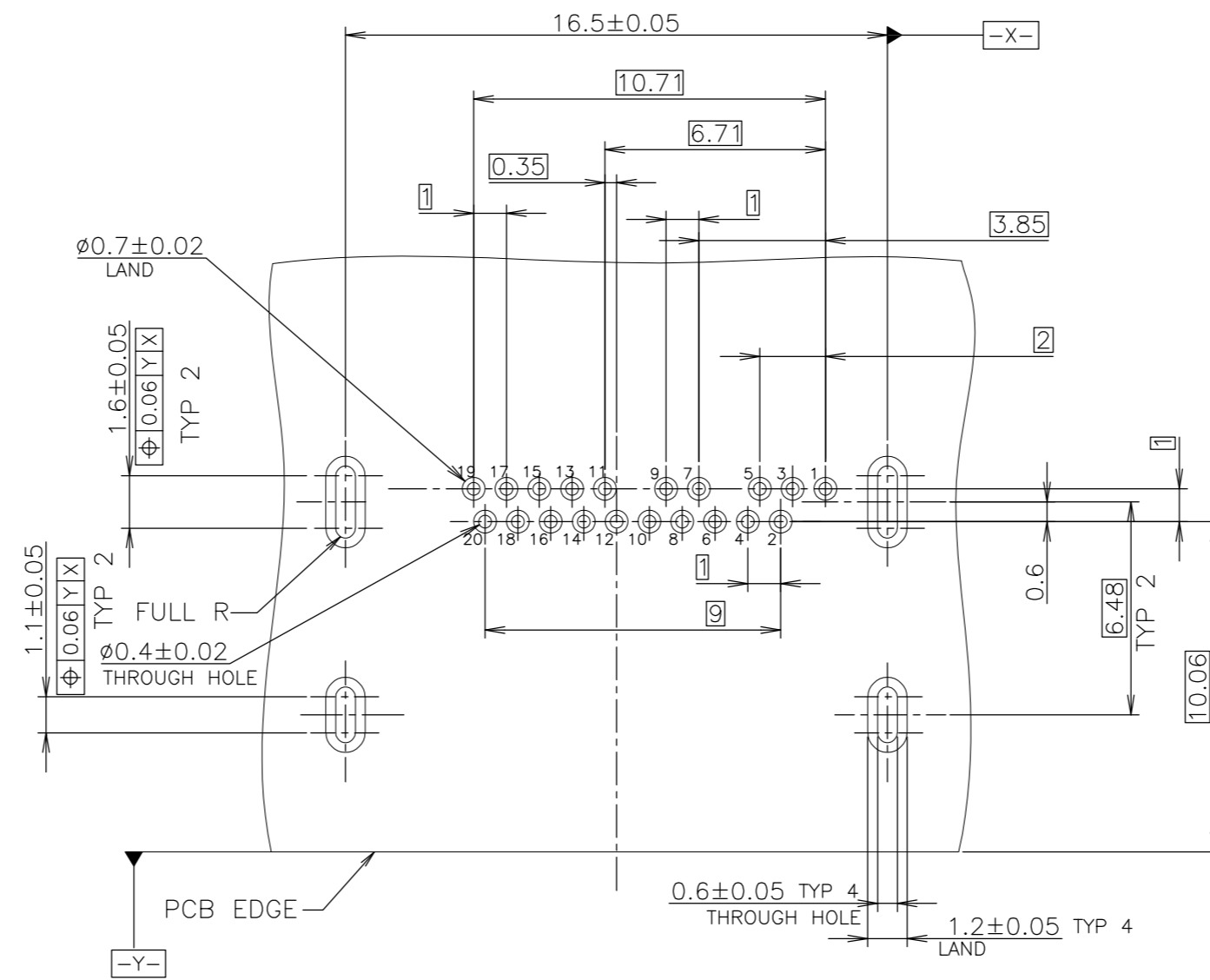
THIS DRAWING IS A CONTROLLED DOCUMENT.

DIMENSIONS: 單位: 耗 mm	TOLERANCES UNLESS OTHERWISE SPECIFIED: 一般公差	DWN Y.HIRATA 19MAR2008	TE Connectivity	
0 PLC ± 0.3	1 PLC ± 0.3	CHK T.KUSUHARA 19MAR2008	RECEPTACLE ASSEMBLY DISPLAYPORT RA TH 2ROW TINE	
2 PLC ± 0.3	3 PLC ± 0.3	APVD T.KUSUHARA 19MAR2008	NAME 名称	RESTRICTED TO
4 PLC ± 0.3	ANGLES ± 2°	PRODUCT SPEC 製品規格 108-78515	SIZE A2	CAGE CODE 00779
MATERIAL 材料	FINISH 仕上	APPLICATION SPEC 取付適用規格	DRAWING NO 番号 C=2040451	SCALE 尺度 6:1
		WEIGHT	SHEET 1 of 5	REV C1
		CUSTOMER DRAWING		

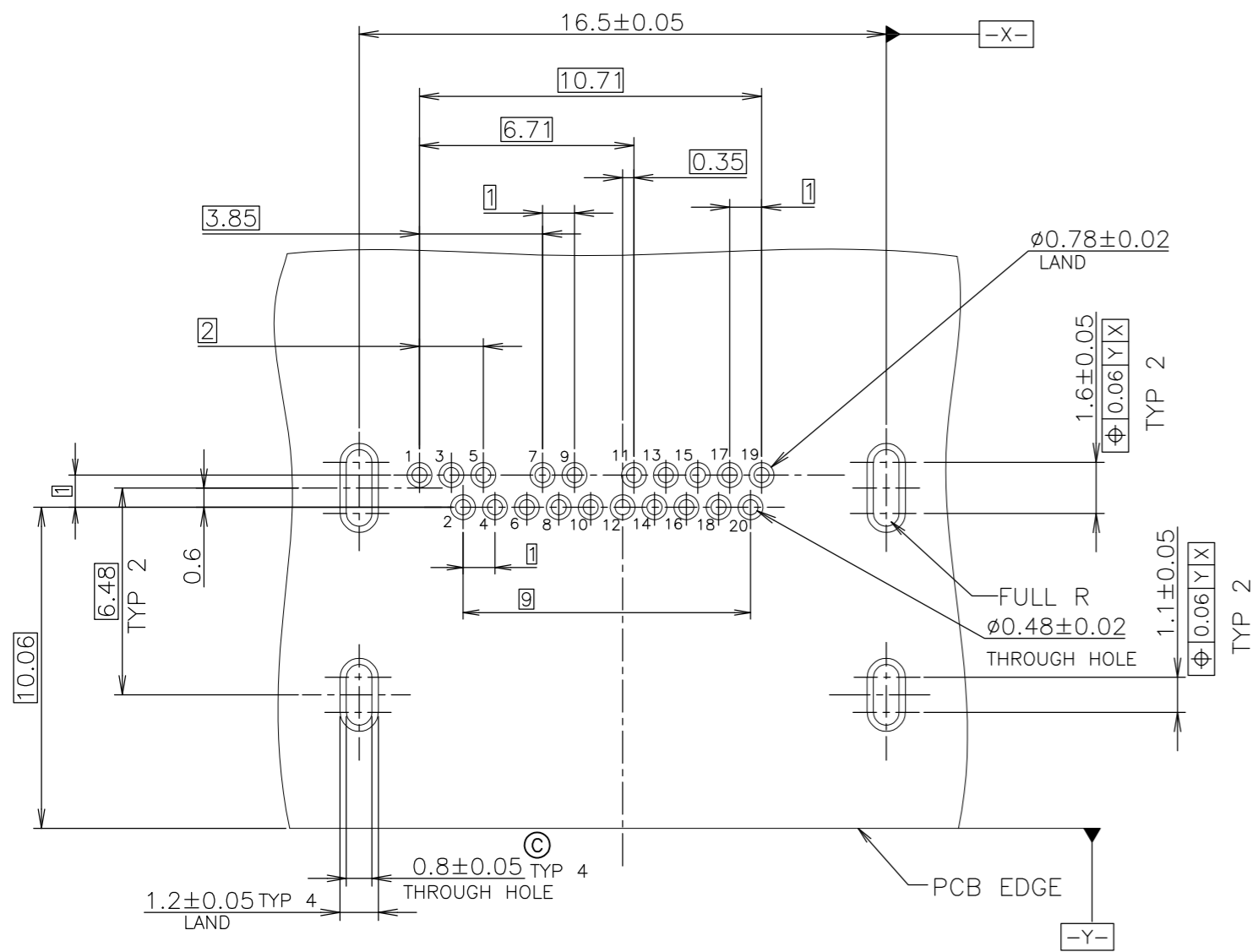
LOC		DIST		REVISIONS					
J				P	LTR	DESCRIPTION	DATE	DWN	APVD
				-	-	SEE SHEET 1	-	-	-



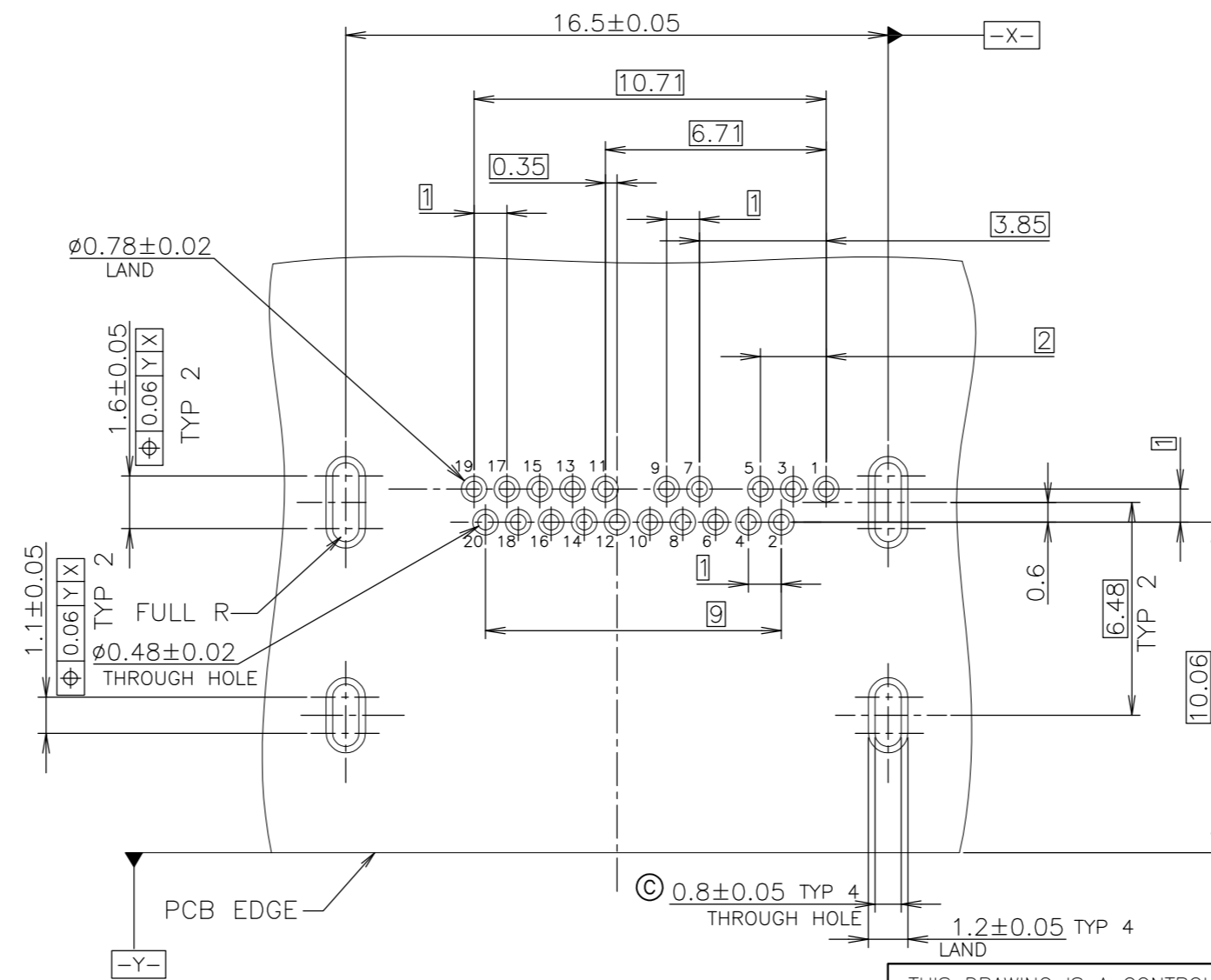
RECOMMENDED PCB LAYOUT (THICKNESS=1.6±0.1)
 BOTTOM VIEW
 (FOR 2040451-1 ~ -3)



RECOMMENDED PCB LAYOUT (THICKNESS=1.6±0.1)
 TOP VIEW
 (FOR 2040451-1 ~ -3)



ⓐ RECOMMENDED PCB LAYOUT (THICKNESS=1.6±0.1)
 BOTTOM VIEW
 (FOR 4-2040451-1 ~ -3)
 ⓐ (FOR 9-2040451-1)



ⓐ RECOMMENDED PCB LAYOUT (THICKNESS=1.6±0.1)
 TOP VIEW
 (FOR 4-2040451-1 ~ -3)
 ⓐ (FOR 9-2040451-1)

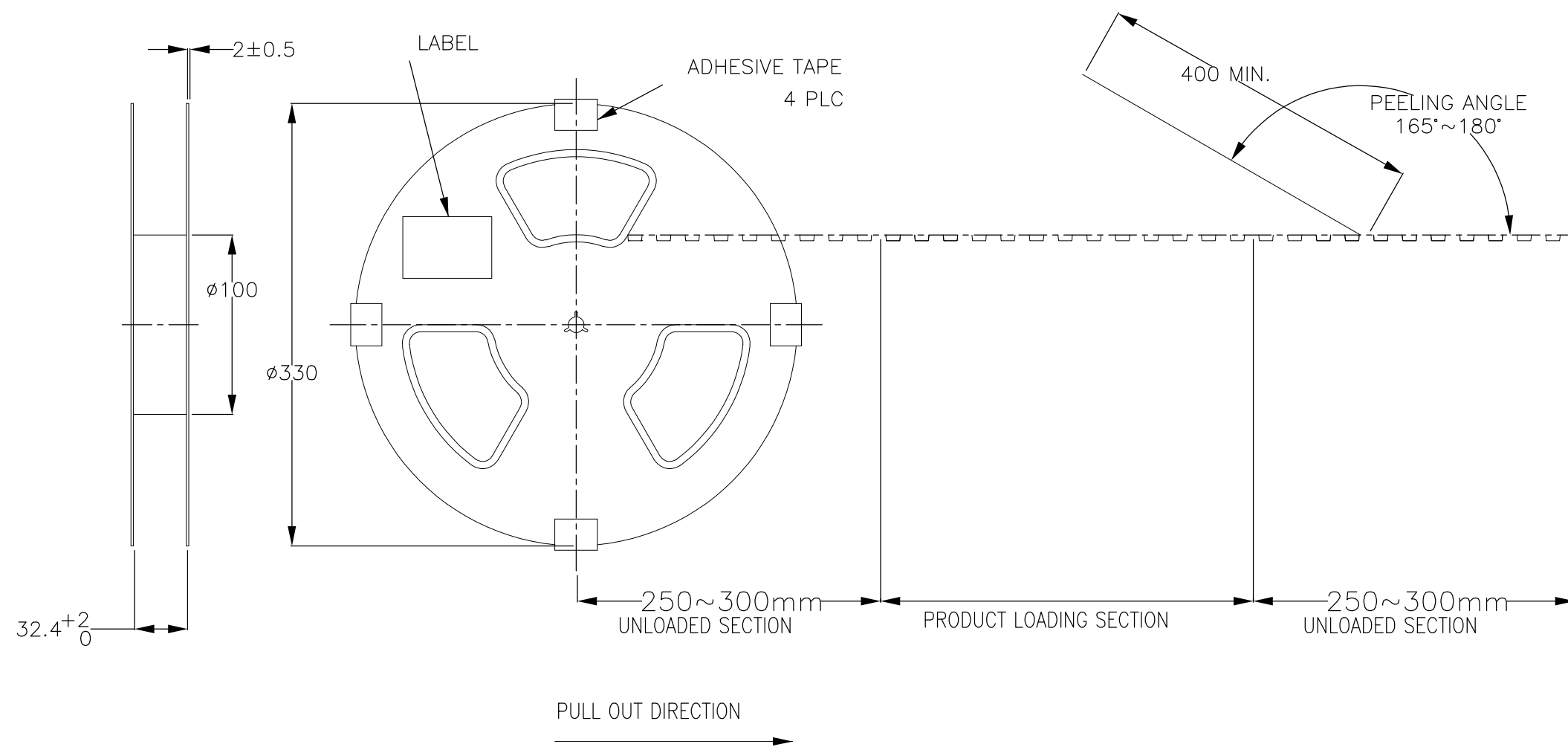
NOTE: THE DIFFERENCE IS THE LAND DIAMETER.

THIS DRAWING IS A CONTROLLED DOCUMENT.		DWN	TE Connectivity	
DIMENSIONS: 單位: 毫米 mm		CHK	RECEPTACLE ASSEMBLY	
TOLERANCES UNLESS OTHERWISE SPECIFIED: 一般公差		APVD	DISPLAYPORT RA TH 2ROW TINE	
0 PLC ± 0.3		PRODUCT SPEC	SIZE	CAGE CODE
1 PLC ± 0.3		製品規格	A2	00779
2 PLC ± 0.3		APPLICATION SPEC	DRAWING NO	
3 PLC ± 0.3		取付適用規格	C=2040451	
4 PLC ± 0.3		WEIGHT	RESTRICTED TO	
ANGLES ± 2°		CUSTOMER DRAWING	SCALE	SHEET
FINISH 仕上		NTS	2	5

THIS DRAWING IS UNPUBLISHED. RELEASED FOR PUBLICATION JAN , 2008.
 © COPYRIGHT 2008 By - ALL RIGHTS RESERVED.

LOC		DIST		REVISIONS			DATE	DWN	APVD
J		-		P	LTR	DESCRIPTION			
-							SEE SHEET 1	-	-

Ⓢ PACKING FOR 2040451-1 ~ -3



D

C

B

A

D

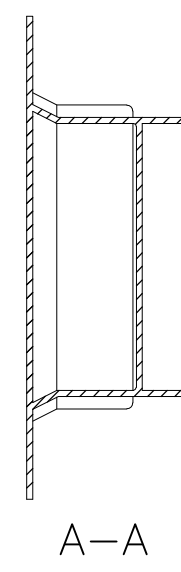
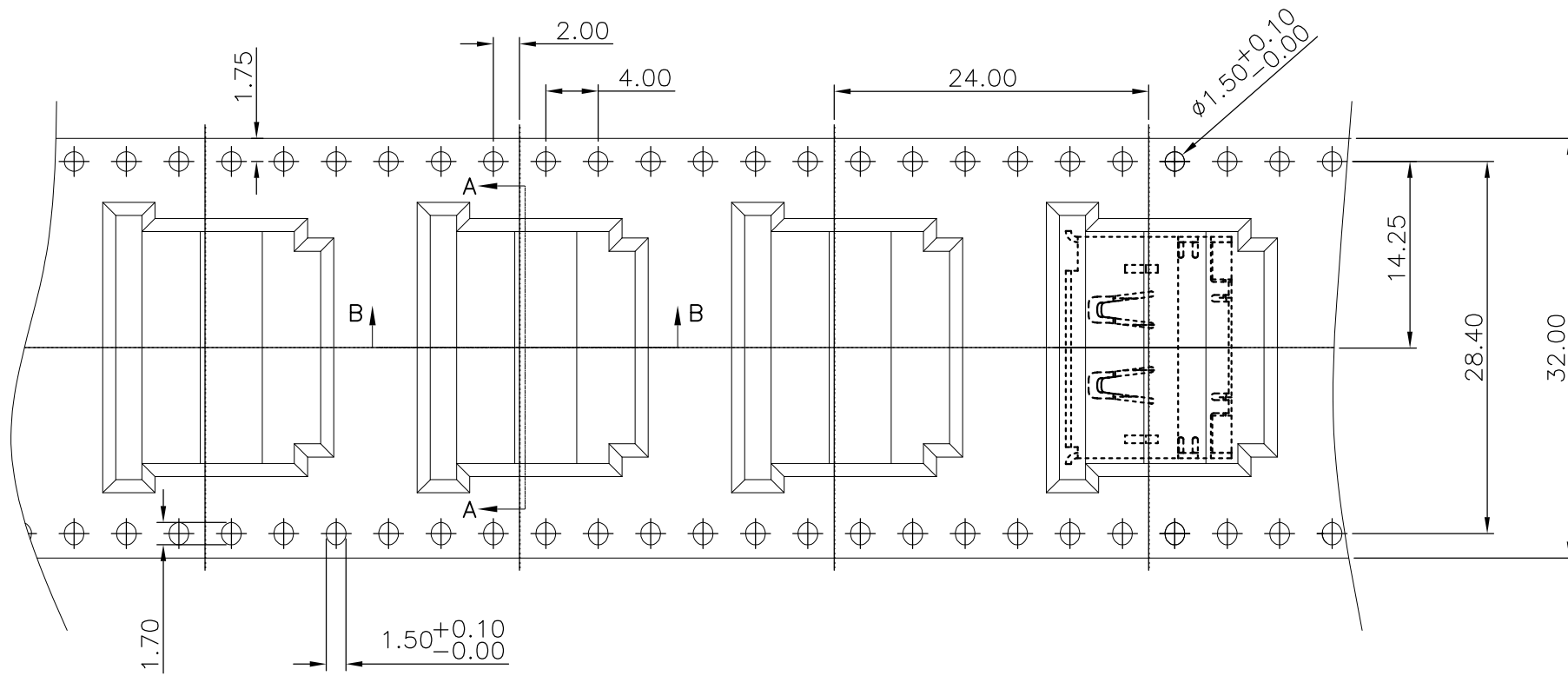
C

B

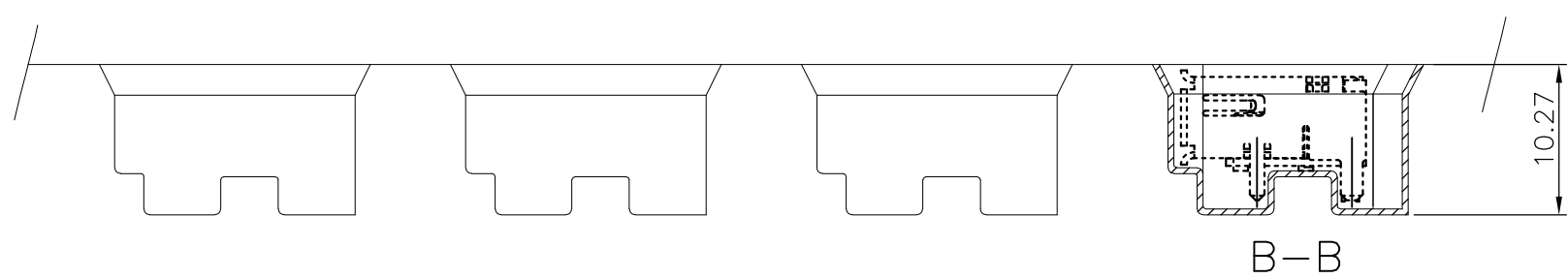
A

2040451

- 1 PRIMARY PACKING: 250PCS /REEL;
- 2 PEELING RESISTANCE: 0.1~0.7N (10.2gf~71.4gf).
- 3 PEELING SPEED: 300mm/minutes.
- 4 CARRIER TAPES, COVER TAPES, REELS AND TAPED COMPONENTS MUST MEET THE REQUIREMENTS DEFINED PER EIA-481-B.



A-A



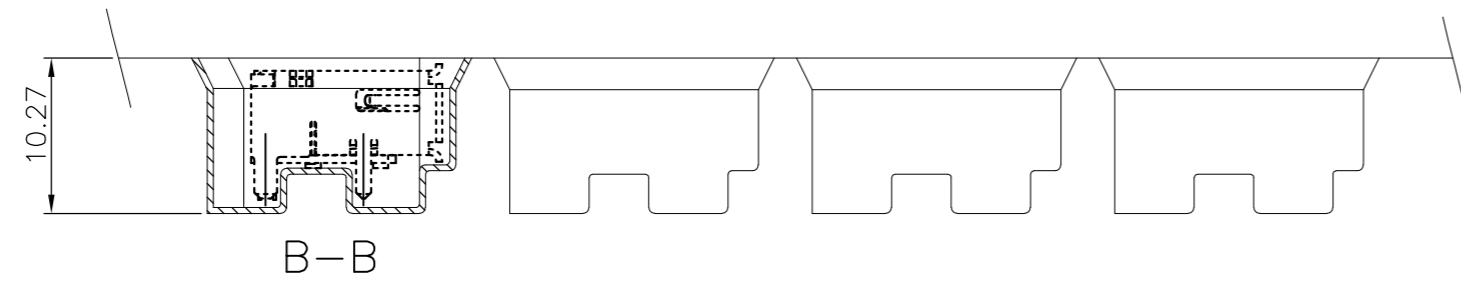
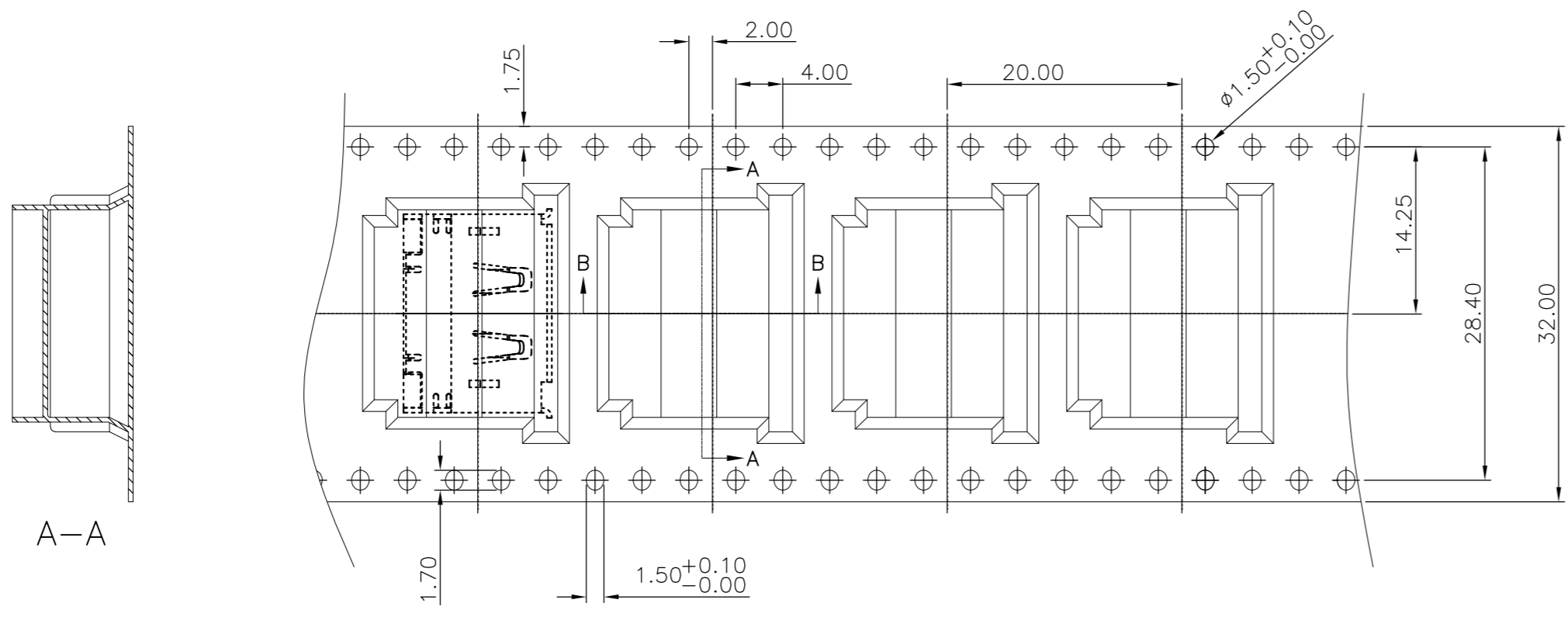
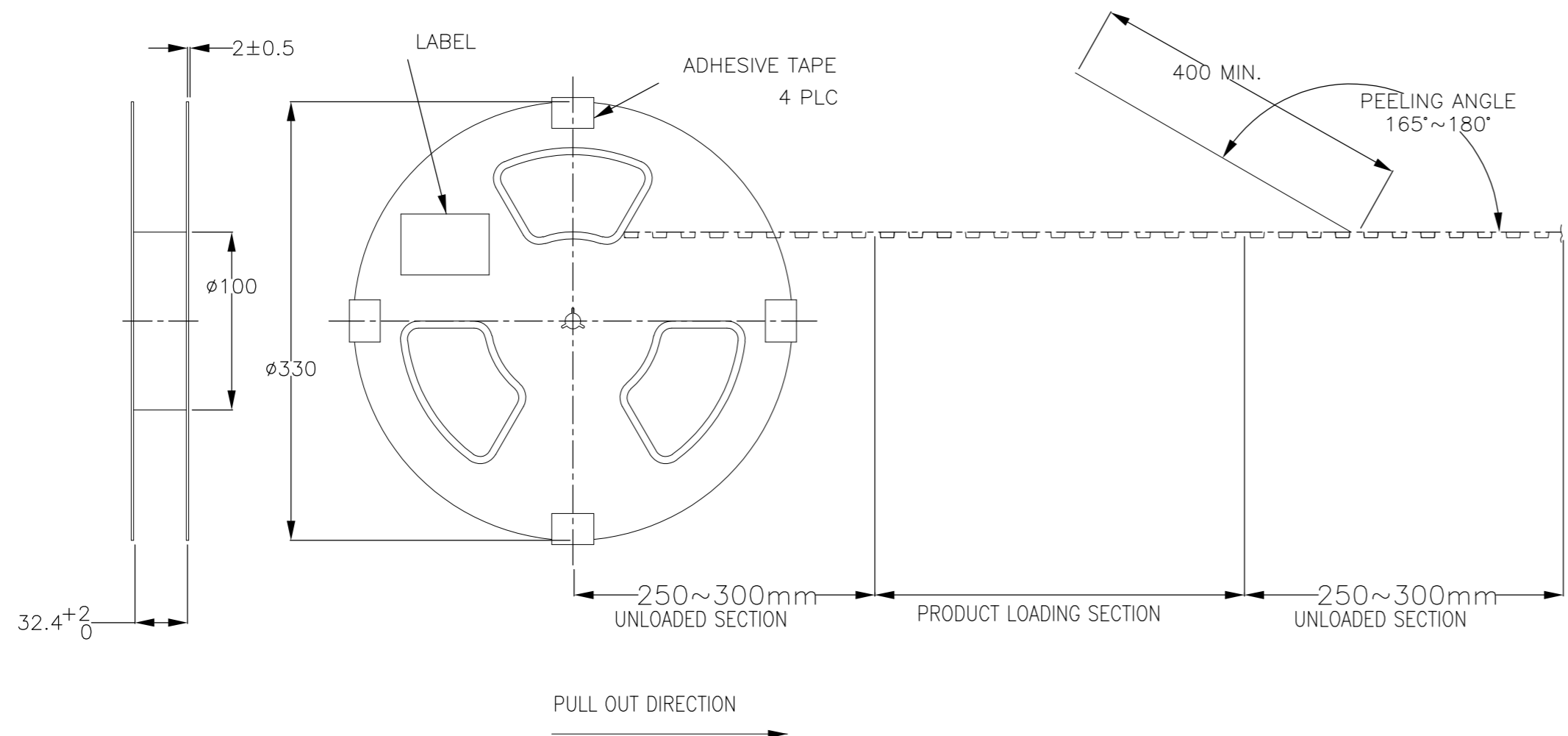
B-B

THIS DRAWING IS A CONTROLLED DOCUMENT.		DWN	TE Connectivity		
DIMENSIONS: 單位: 毫米 mm		CHK	NAME 名稱		
TOLERANCES UNLESS OTHERWISE SPECIFIED: 一般公差		APVD	RECEPTACLE ASSEMBLY		
0 PLC ± 0.3	1 PLC ± 0.3	PRODUCT SPEC	DISPLAYPORT RA TH 2ROW TINE		
2 PLC ± 0.3	3 PLC ± 0.3	APPLICATION SPEC	SIZE	CAGE CODE	DRAWING NO
4 PLC ± 0.3	ANGLES ± 2'	取付適用規格	A2	00779	C=2040451
MATERIAL 材料	FINISH 仕上	WEIGHT	RESTRICTED TO		
		CUSTOMER DRAWING	SCALE 尺度	NTS	SHEET 3 of 5
			REV C1		

THIS DRAWING IS UNPUBLISHED. RELEASED FOR PUBLICATION JAN , 2008.
 © COPYRIGHT 2008 By - ALL RIGHTS RESERVED.

LOC	DIST	REVISONS					
J	-	P	LTR	DESCRIPTION	DATE	DWN	APVD
		-	-	SEE SHEET 1	-	-	-

Ⓢ PACKING FOR 4-2040451-1 ~ -3



- 1 PRIMARY PACKING: 250PCS /REEL;
- 2 PEELING RESISTANCE: 0.1~0.7N (10.2gf~71.4gf).
- 3 PEELING SPEED: 300mm/minutes.
- 4 CARRIER TAPES, COVER TAPES, REELS AND TAPED COMPONENTS MUST MEET THE REQUIREMENTS DEFINED PER EIA-481-B.

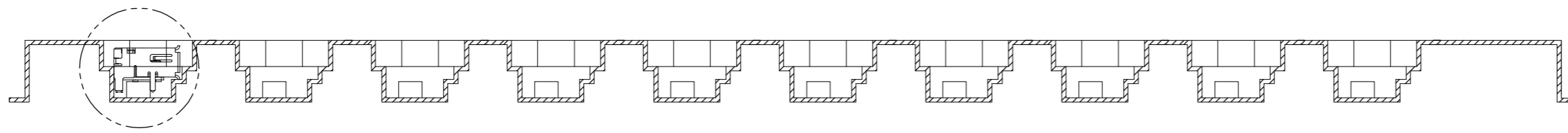
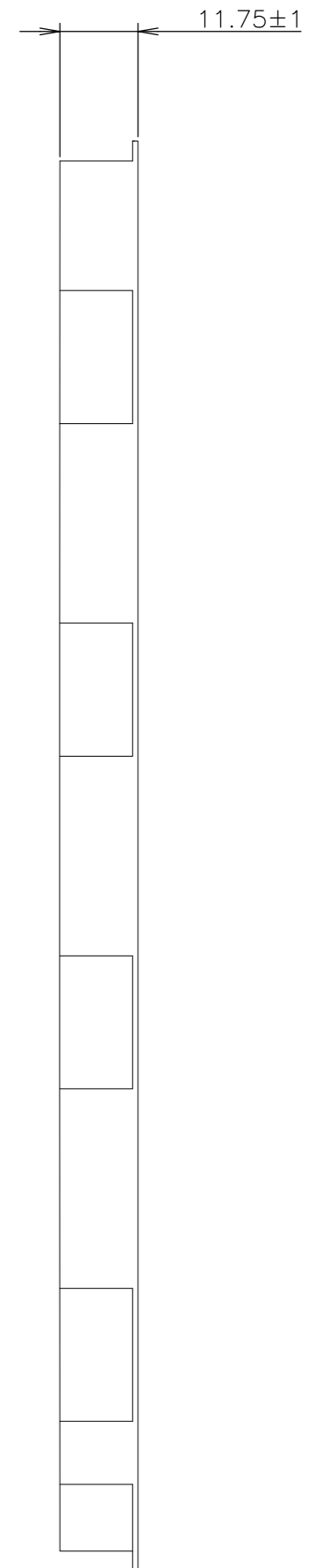
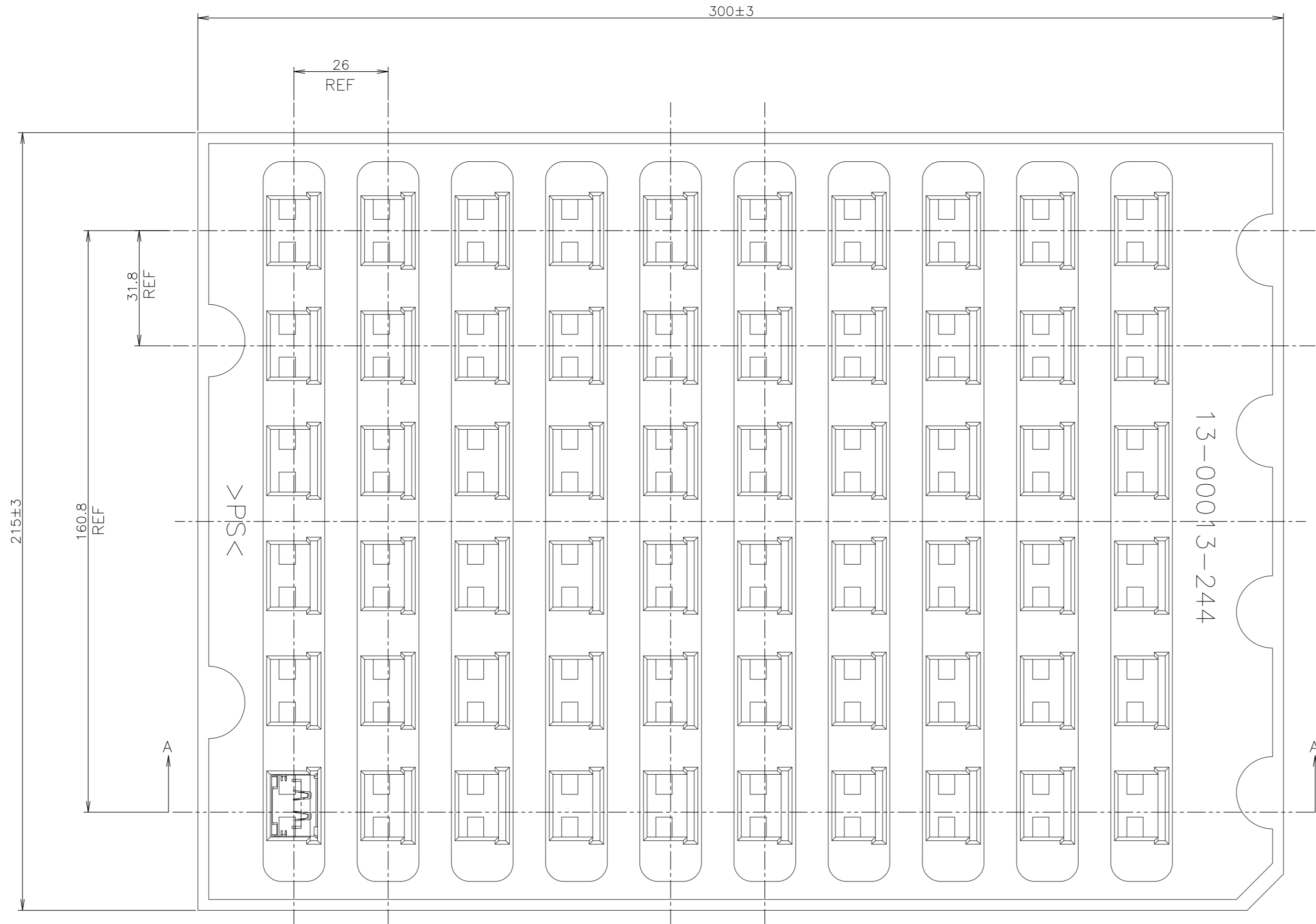
THIS DRAWING IS A CONTROLLED DOCUMENT.		DWN	TE Connectivity		
DIMENSIONS: 單位: 耗 mm		CHK	RECEPTACLE ASSEMBLY DISPLAYPORT RA TH 2ROW TINE		
TOLERANCES UNLESS OTHERWISE SPECIFIED: 一般公差		APVD	SIZE	CAGE CODE	DRAWING NO
0 PLC ± 0.3		PRODUCT SPEC	A2	00779	C=2040451
1 PLC ± 0.3		APPLICATION SPEC	RESTRICTED TO		
2 PLC ± 0.3		WEIGHT	SCALE 尺度 NTS SHEET 4 OF 5 REV C1		
3 PLC ± 0.3		CUSTOMER DRAWING			
4 PLC ± 0.3					
ANGLES ± 2°					
MATERIAL 材料	FINISH 仕上				

2040451

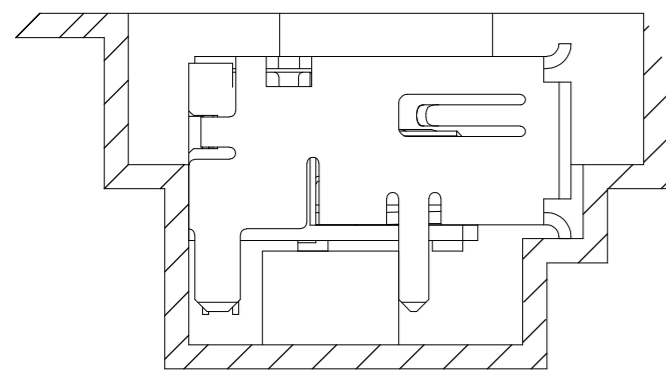
THIS DRAWING IS UNPUBLISHED. RELEASED FOR PUBLICATION JAN , 2008.
 © COPYRIGHT 2008 By - ALL RIGHTS RESERVED.

LOC		DIST		REVISIONS			
J				變更	DATE	DWN	APVD
P	LTR	DESCRIPTION					
-	-	SEE SHEET 1		-	-	-	-

© PACKING FOR 9-2040451-1



SECTION A-A



- NOTES:
- PACKING MATERIAL TO BE MET TE CONNECTIVITY SPEC 230-702
 .CADMIUM AND CADMIUM COMPOUNDS CONTENT:
 5ppm UNDER(PLASTIC,RUBBER,INK,PINMENT,PAINT)
 .LEAD,CADMIUM,CHROM VI AND MERCURY CONTENT:
 100ppm(COMBINED)UNDER.(IN PACKAGING MATERIAL)
 - MATERIAL: PS; WHITE; T=0.8mm.
 - 60 PCS/ TRAY

THIS DRAWING IS A CONTROLLED DOCUMENT.		DWN	TE Connectivity		
DIMENSIONS: 單位: 耗 mm		CHK	RECEPTACLE ASSEMBLY DISPLAYPORT RA TH 2ROW TINE		
TOLERANCES UNLESS OTHERWISE SPECIFIED: 一般公差		APVD	NAME	RECEPTACLE ASSEMBLY DISPLAYPORT RA TH 2ROW TINE	
0 PLC ± 0.3	1 PLC ± 0.3	PRODUCT SPEC	SIZE	CAGE CODE	DRAWING NO
2 PLC ± 0.3	3 PLC ± 0.3	APPLICATION SPEC	A2	00779	C=2040451
4 PLC ± 0.3	ANGLES ± 2'	取件適用規格	SCALE	SHEET	REV
MATERIAL 材料	FINISH 仕上	WEIGHT	尺碼	NTS	5 of 5
CUSTOMER DRAWING		SCALE		NTS	REV C1