



Chipsmall Limited consists of a professional team with an average of over 10 year of expertise in the distribution of electronic components. Based in Hongkong, we have already established firm and mutual-benefit business relationships with customers from,Europe,America and south Asia,supplying obsolete and hard-to-find components to meet their specific needs.

With the principle of “Quality Parts,Customers Priority,Honest Operation,and Considerate Service”,our business mainly focus on the distribution of electronic components. Line cards we deal with include Microchip,ALPS,ROHM,Xilinx,Pulse,ON,Everlight and Freescale. Main products comprise IC,Modules,Potentiometer,IC Socket,Relay,Connector.Our parts cover such applications as commercial,industrial, and automotives areas.

We are looking forward to setting up business relationship with you and hope to provide you with the best service and solution. Let us make a better world for our industry!



Contact us

Tel: +86-755-8981 8866 Fax: +86-755-8427 6832

Email & Skype: info@chipsmall.com Web: www.chipsmall.com

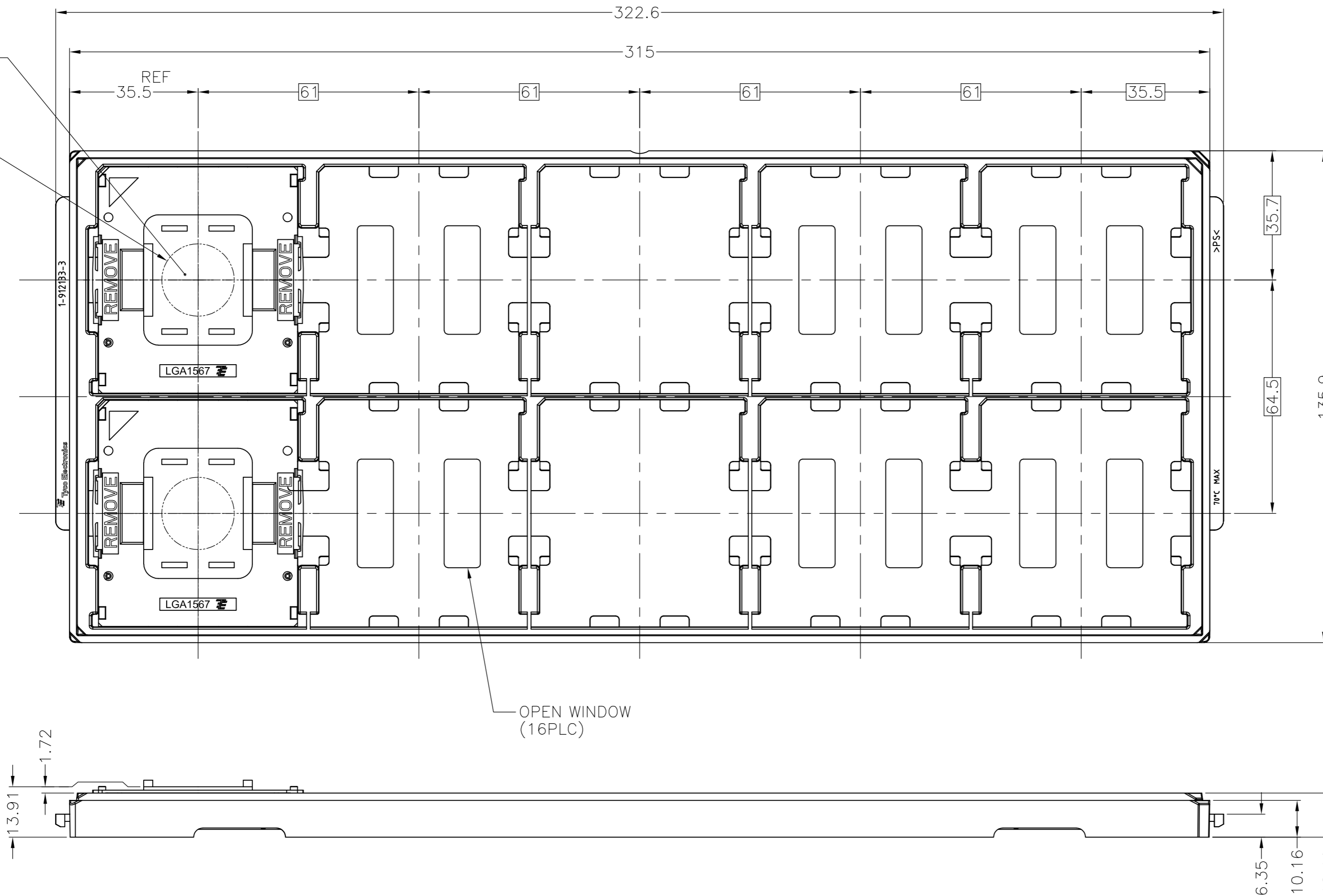
Address: A1208, Overseas Decoration Building, #122 Zhenhua RD., Futian, Shenzhen, China



THIS DRAWING IS UNPUBLISHED. RELEASED FOR PUBLICATION
 © COPYRIGHT BY TYCO ELECTRONICS CORPORATION. ALL RIGHTS RESERVED.

LOC		DIST		REVISIONS			
P	LTR	DESCRIPTION	DATE	DWN	APVD		
D		REVISED	18JUN'10	T.T	T.N		

VACCU PICK UP AREA



1. MATERIAL

- ① HOUSING : HIGH TEMP, THERMO-PLASTIC, UL94V-0, BLACK
 - ② CONTACT : COPPER ALLOY
FINISH : Au PL. AT CONTACT AREA ON OVERALL OVER Ni UNDER PL. 0.00127 MIN.
 - ③ SOLDER BALL : Sn/Ag/Cu FOR LEAD FREE PRODUCT.
 - ④ CAP : HIGH TEMP. THERMO-PLASTIC, UL94V-0, BLACK
- △ INDICATED DATE CODE ON THE HSG

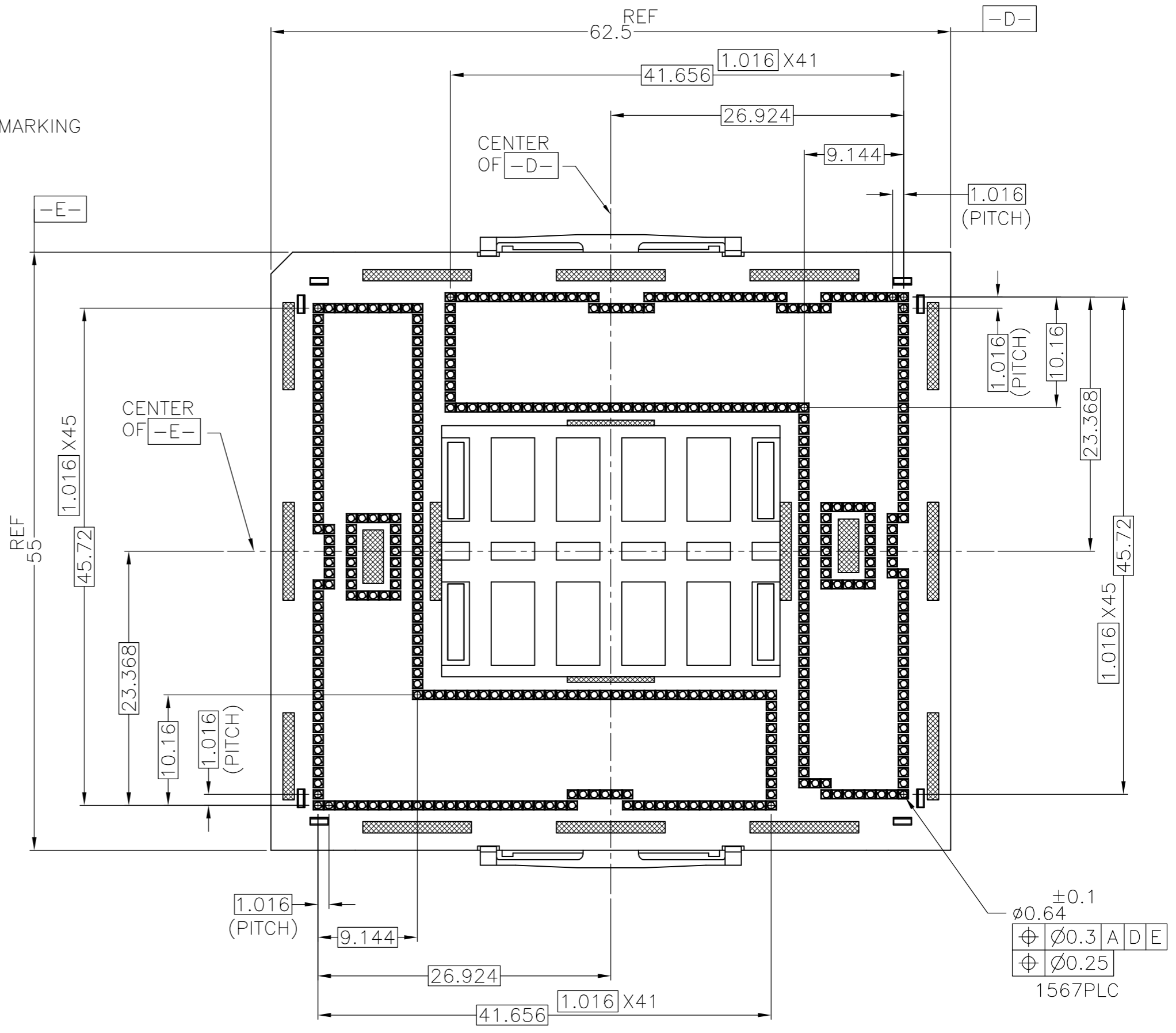
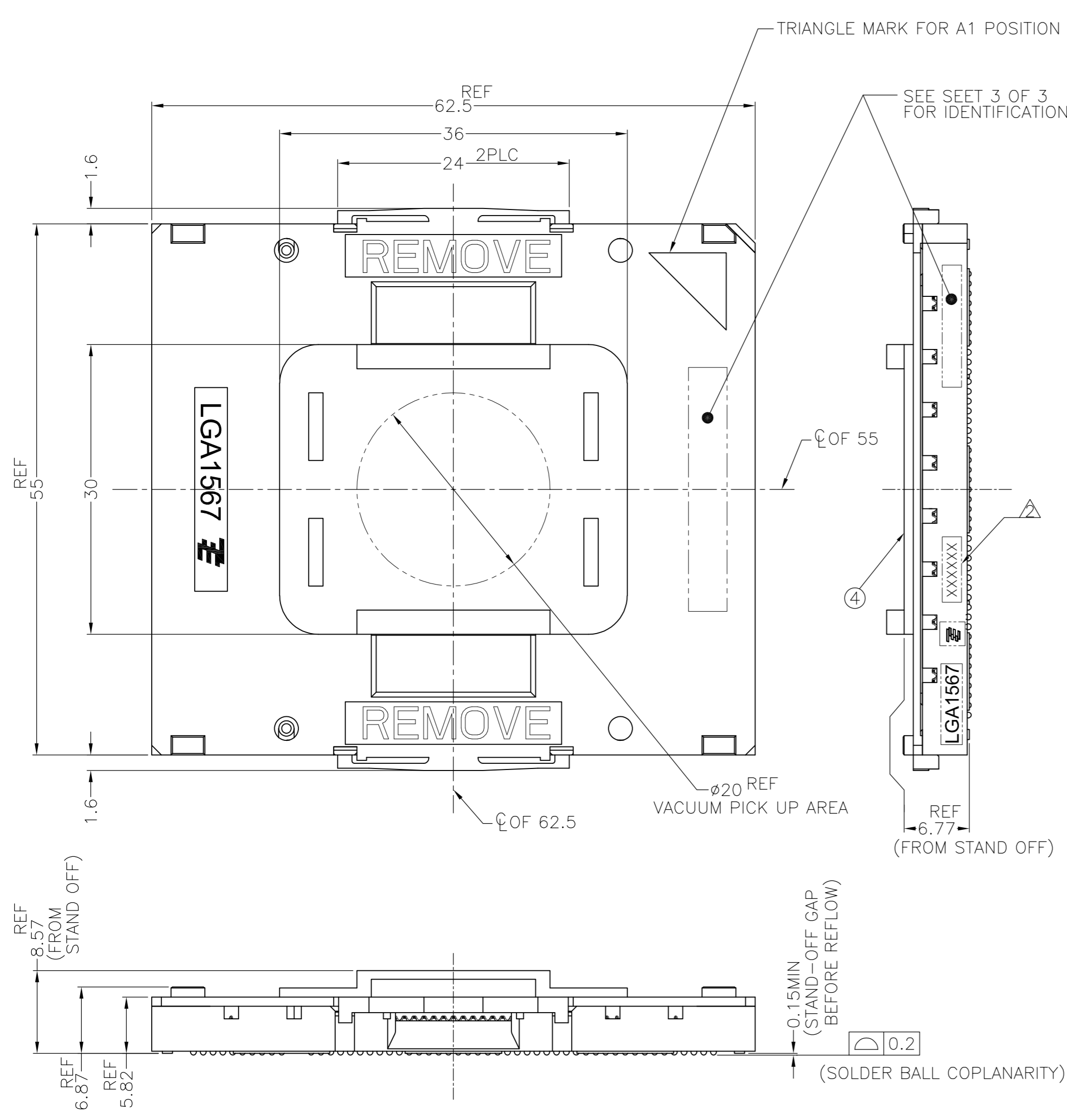
SUPERSEDED BY -5

2040636-5	0.76um MIN.	RECOMMENDED FOR N2 REFLOW PROCESS
2040636-4	0.76um MIN.	RECOMMENDED FOR AIR REFLOW PROCESS
2040636-3	0.38um MIN.	RECOMMENDED FOR AIR REFLOW PROCESS
2040636-2	0.76um MIN.	RECOMMENDED FOR N2 REFLOW PROCESS
2040636-1	0.38um MIN.	RECOMMENDED FOR N2 REFLOW PROCESS
PART NUMBER	Au THICKNESS AT CONTACT AREA	DESCRIPTION

THIS DRAWING IS A CONTROLLED DOCUMENT.		DWN T.TOKUNAGA 12AUG2009	Tyco Electronics Corporation	
DIMENSIONS: mm		CHK H.TAGUCHI 12AUG2009	Kawasaki, Japan	
TOLERANCES UNLESS OTHERWISE SPECIFIED:		APVD S.HASHIMOTO 12AUG2009	NAME	
0 PLC ±		PRODUCT SPEC	SOCKET ASSY	
1 PLC ± ±0.3		APPLICATION SPEC	LGA1567	
2 PLC ± ±3		108-78666	SIZE A2	CAGE CODE 00779
3 PLC ± ±3		114-5463	DRAWING NO C=2040636	RESTRICTED TO
4 PLC ± ±		WEIGHT 19.5g	SCALE NTS	SHEET 1 OF 4
MATERIAL FINISH		CUSTOMER DRAWING	REV D	

THIS DRAWING IS UNPUBLISHED. RELEASED FOR PUBLICATION
 © COPYRIGHT BY TYCO ELECTRONICS CORPORATION. ALL RIGHTS RESERVED.

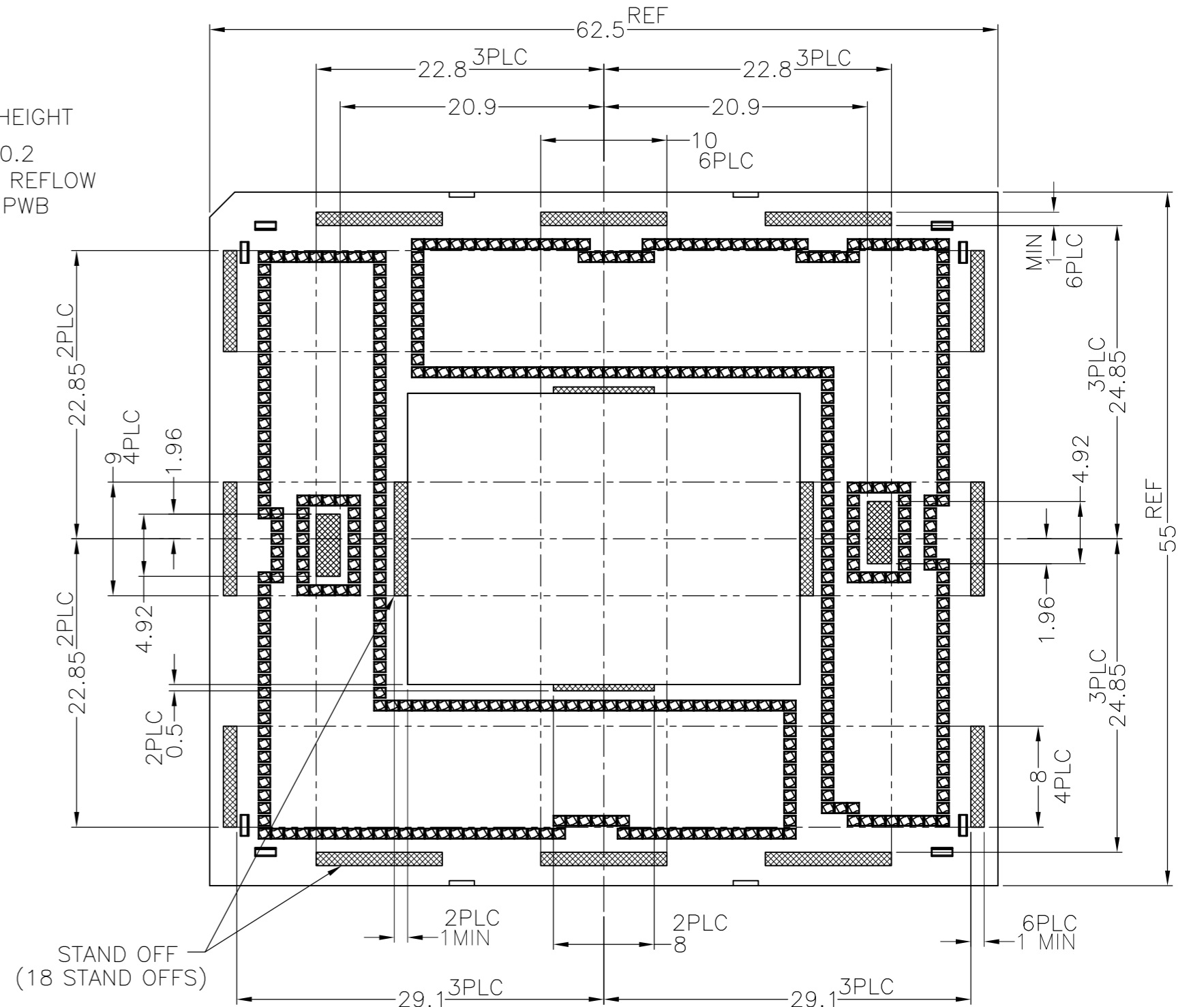
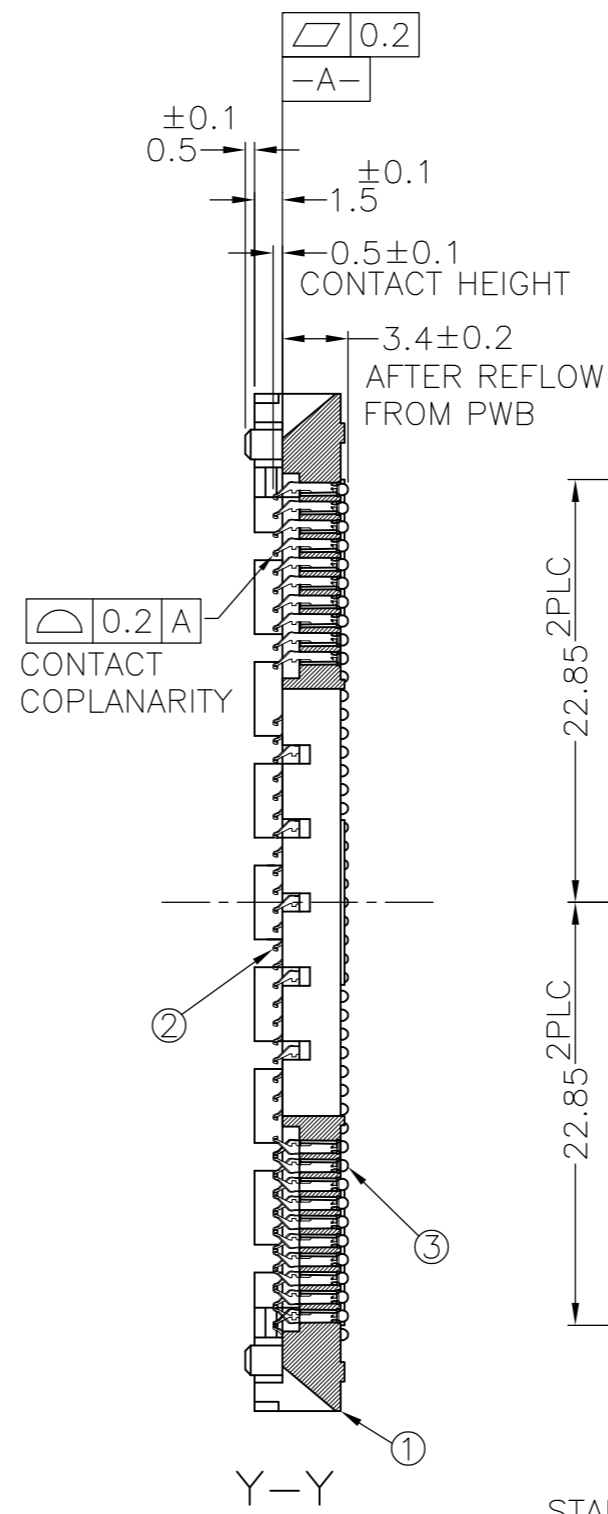
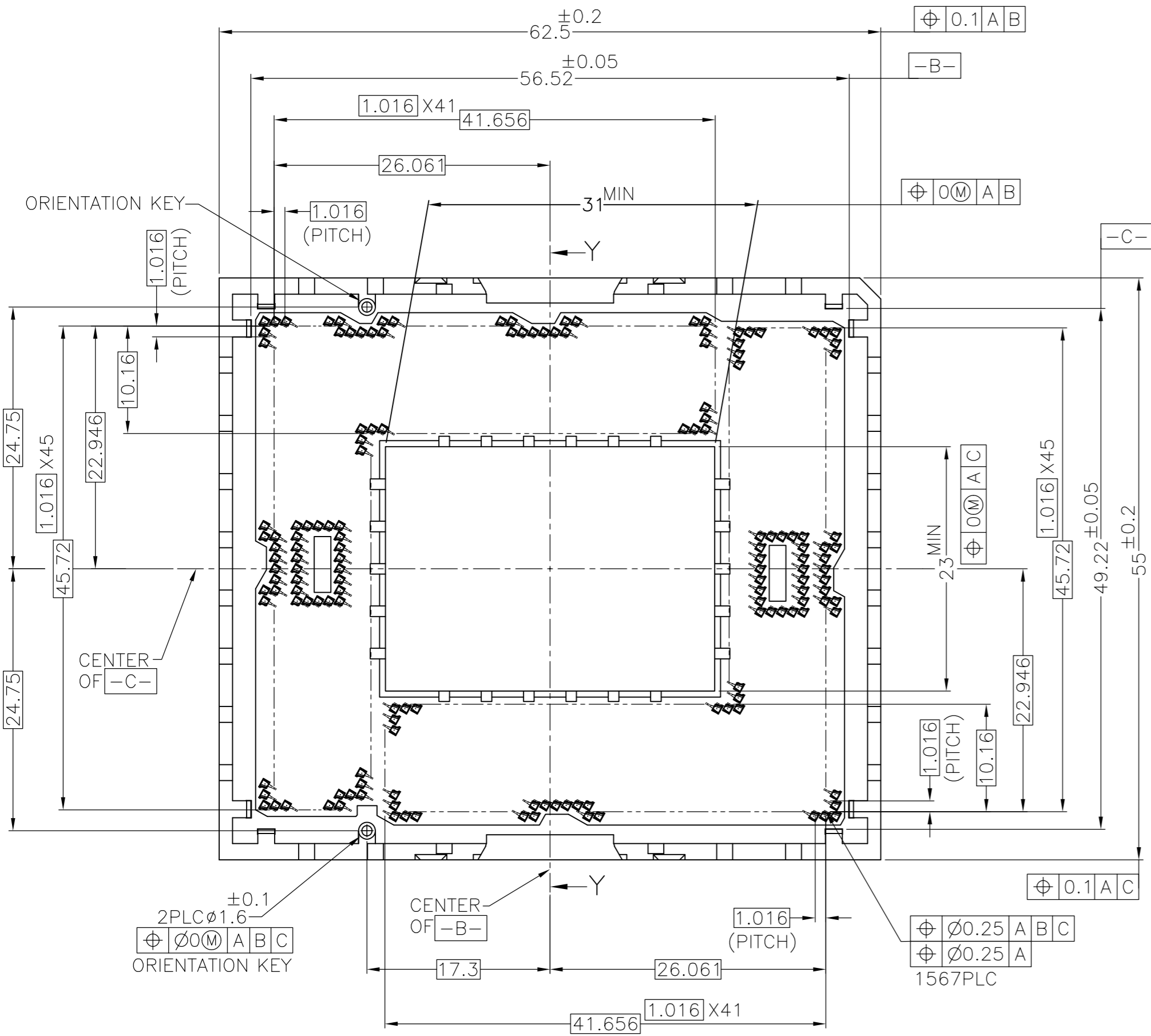
LOC		DIST		REVISIONS			
P	LTR	DESCRIPTION	DATE	DWN	APVD		
-	-	SEE SHEET 1	-	-	-		



THIS DRAWING IS A CONTROLLED DOCUMENT.		DWN	Tyco Electronics Corporation Kawasaki, Japan	
DIMENSIONS: mm		CHK	NAME	
TOLERANCES UNLESS OTHERWISE SPECIFIED:		APVD	SOCKET ASSY LGA1567	
0 PLC ±	1 PLC ±	PRODUCT SPEC	SIZE	CAGE CODE
2 PLC ±	3 PLC ±	APPLICATION SPEC	A2	00779
4 PLC ±	ANGLES ±	WEIGHT	DRAWING NO	RESTRICTED TO
FINISH		CUSTOMER DRAWING	C=2040636	-
SCALE NTS			SHEET 2 OF 4	REV D

THIS DRAWING IS UNPUBLISHED. RELEASED FOR PUBLICATION
 © COPYRIGHT BY TYCO ELECTRONICS CORPORATION. ALL RIGHTS RESERVED.

LOC		DIST		REVISIONS			
P	LTR	DESCRIPTION	DATE	DWN	APVD		
		SEE SHEET 1					

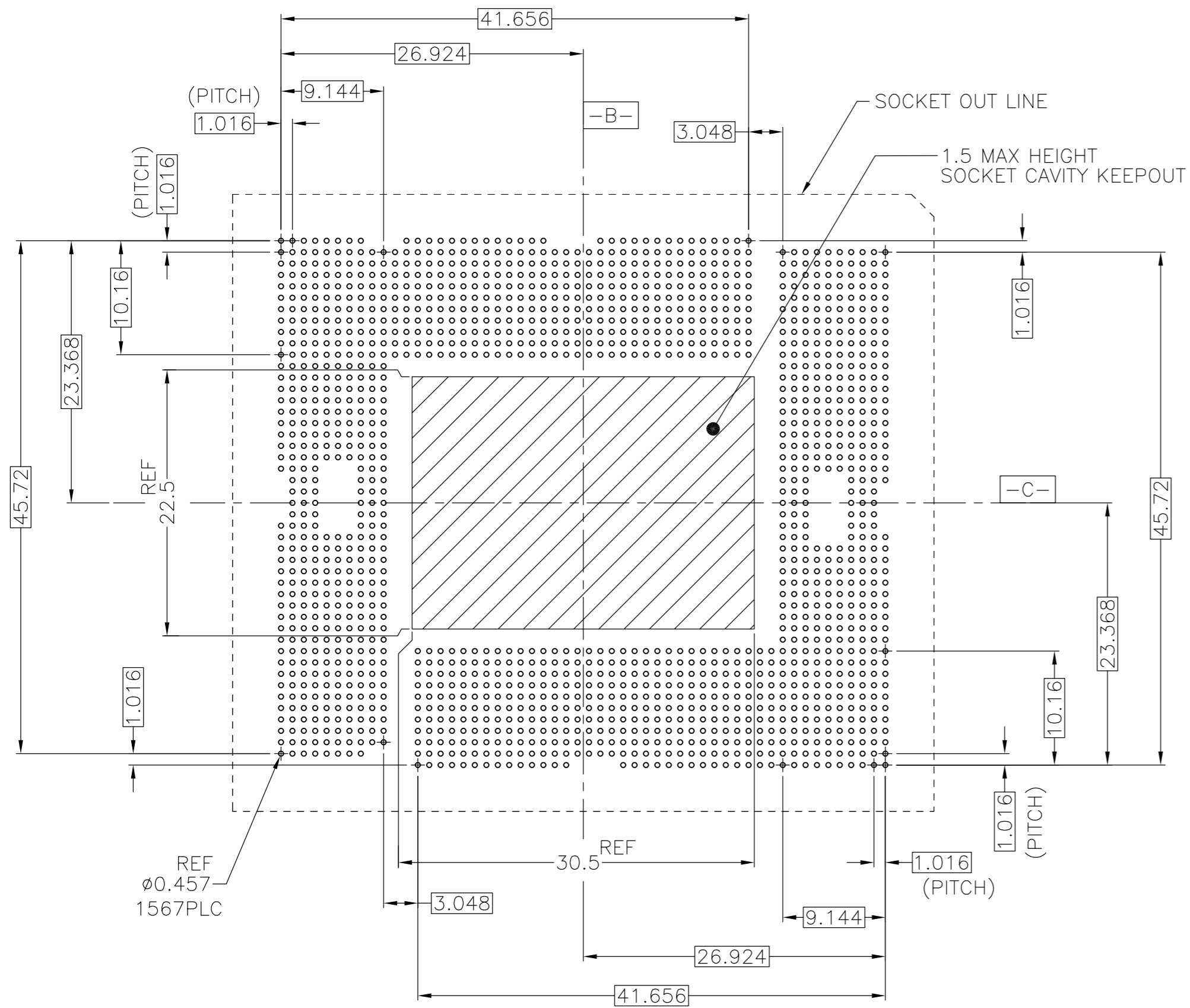


THESE VIEW DON'T SHOW CAP

THIS DRAWING IS A CONTROLLED DOCUMENT.		DWN	Tyco Electronics Corporation	
DIMENSIONS: mm		CHK	Kawasaki, Japan	
TOLERANCES UNLESS OTHERWISE SPECIFIED:		APVD	NAME	
0 PLC ± 0.3		PRODUCT SPEC	SOCKET ASSY	
1 PLC ± 0.3		APPLICATION SPEC	LGA1567	
2 PLC ± 0.3		WEIGHT	SIZE	CAGE CODE
3 PLC ± 0.3			A2	00779
4 PLC ± 0.3			DRAWING NO	RESTRICTED TO
ANGLES ± 3°			C=2040636	
FINISH		CUSTOMER DRAWING		
		SCALE	SHEET	REV
		NTS	3 of 4	D

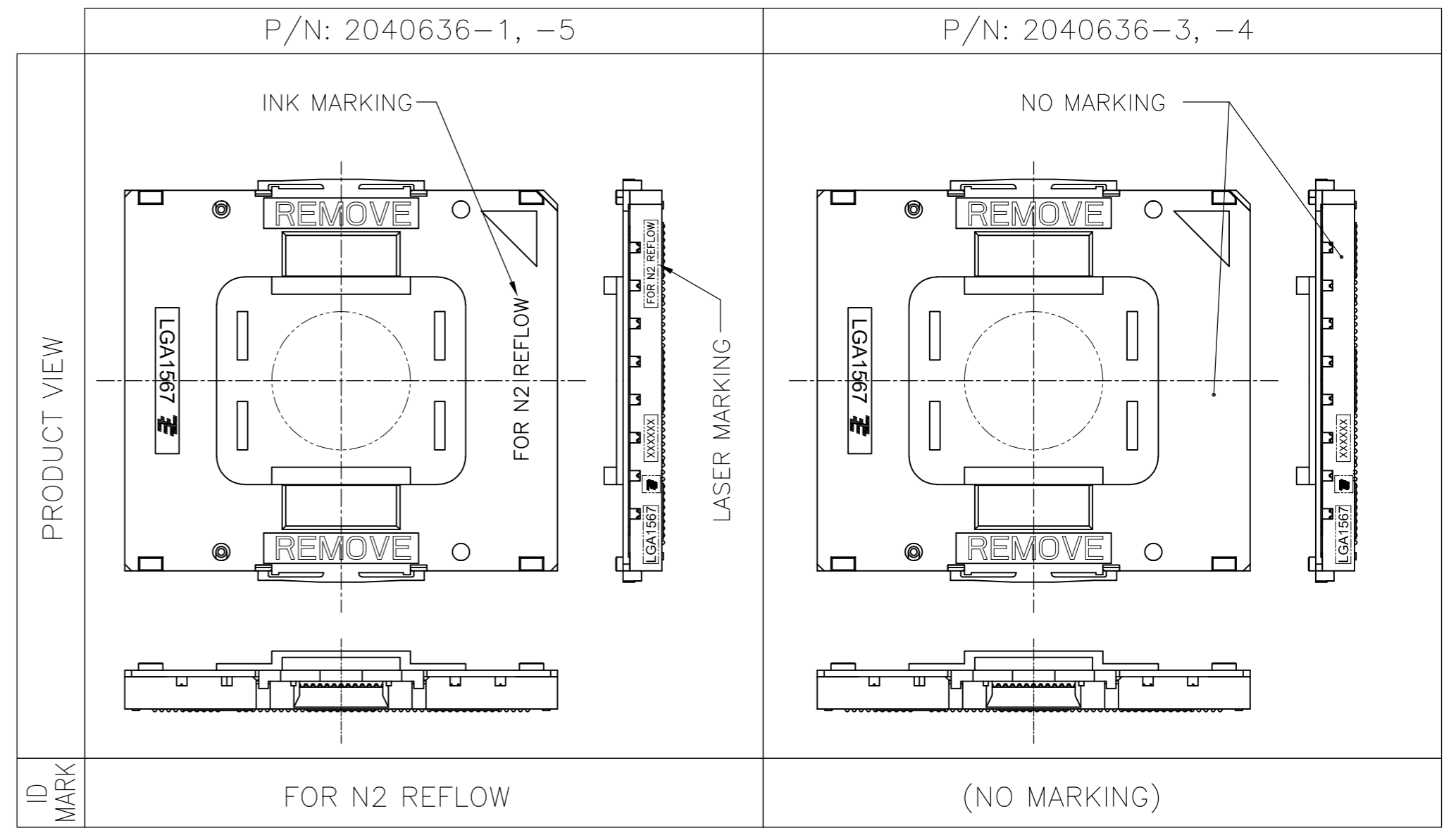
THIS DRAWING IS UNPUBLISHED. RELEASED FOR PUBLICATION
 © COPYRIGHT BY TYCO ELECTRONICS CORPORATION. ALL RIGHTS RESERVED.

LOC		DIST		REVISIONS			
P	LTR	DESCRIPTION	DATE	DWN	APVD		
-	-	SEE SHEET 1	-	-	-		



REFERENCE PATTERN LAYOUT

FOR GENERAL BOARD DESIGN, PLEASE REFER TO THE THERMAL AND MECHANICAL DESIGN GUIDELINES(TMDG) PROVIDED BY INTEL CORPORATION



THIS DRAWING IS A CONTROLLED DOCUMENT.		DWN	Tyco Electronics Corporation Kawasaki, Japan	
DIMENSIONS:	TOLERANCES UNLESS OTHERWISE SPECIFIED:	CHK	NAME	
mm	0 PLC ± 0.3 1 PLC ± 0.3 2 PLC ± 0.3 3 PLC ± 0.3 4 PLC ± 0.3 ANGLES ± 3°	APVD	SOCKET ASSY LGA1567	
MATERIAL	FINISH	PRODUCT SPEC	SIZE	RESTRICTED TO
		APPLICATION SPEC	A2	-
		WEIGHT	CAGE CODE	DRAWING NO
		CUSTOMER DRAWING	00779	C=2040636
		SCALE	SHEET	REV
		NTS	4 OF 4	D