



Chipsmall Limited consists of a professional team with an average of over 10 year of expertise in the distribution of electronic components. Based in Hongkong, we have already established firm and mutual-benefit business relationships with customers from,Europe,America and south Asia,supplying obsolete and hard-to-find components to meet their specific needs.

With the principle of "Quality Parts,Customers Priority,Honest Operation,and Considerate Service",our business mainly focus on the distribution of electronic components. Line cards we deal with include Microchip,ALPS,ROHM,Xilinx,Pulse,ON,Everlight and Freescale. Main products comprise IC,Modules,Potentiometer,IC Socket,Relay,Connector.Our parts cover such applications as commercial,industrial, and automotives areas.

We are looking forward to setting up business relationship with you and hope to provide you with the best service and solution. Let us make a better world for our industry!



## Contact us

Tel: +86-755-8981 8866 Fax: +86-755-8427 6832

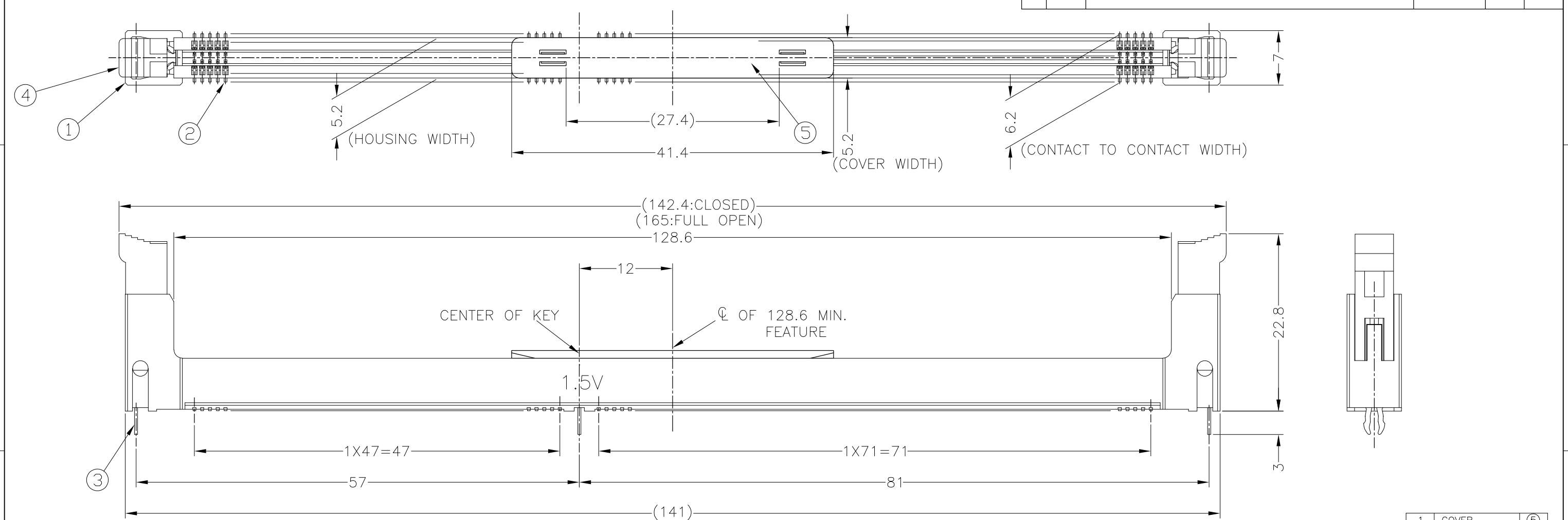
Email & Skype: info@chipsmall.com Web: www.chipsmall.com

Address: A1208, Overseas Decoration Building, #122 Zhenhua RD., Futian, Shenzhen, China



THIS DRAWING IS UNPUBLISHED. RELEASED FOR PUBLICATION  
 © COPYRIGHT - By Tyco Electronics Japan G.K. ALL RIGHTS RESERVED.

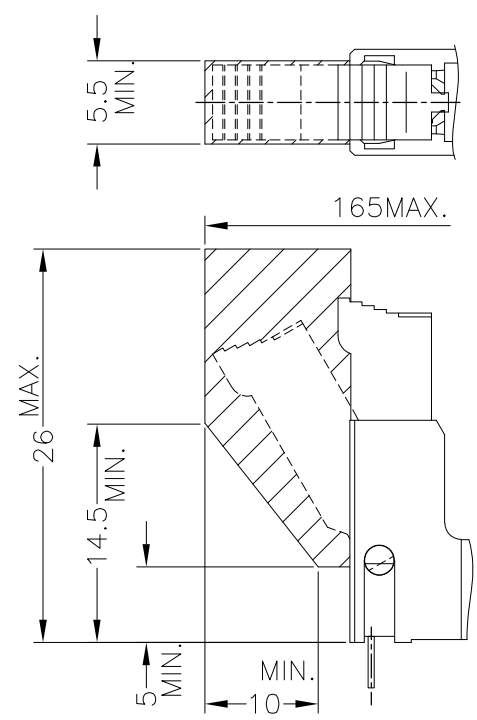
LOC	DIST	REVISIONS 変更					
J	/	P	LTR	DESCRIPTION	DATE	DWN	APVD
		D		REVISED	01MAR2011	K.M	E.T
		E		ECR-13-009631	17JUN2013	R.M	C.W



1	COVER	⑤
2	EXTRACTOR	④
3	LEG	③
240	CONTACT	②
1	HOUSING	①
QTY	NAME	ITEM

- MATERIAL  
 HOUSING : THERMOPLASTIC, UL94V-0,  
 CONTACT : COPPER ALLOY  
 LEG : COPPER ALLOY  
 EXTRACTOR : THERMOPLASTIC, UL94V-0  
 COVER : THERMOPLASTIC, UL94V-0, MILK-WHITE
- FINISH  
 CONTACT : SEE TABLE  
 SOLDER PEG : TIN PL., Ni UNDER PL. ALL OVER
- GENERAL TOLERANCES : 10 ≥ : ±0.2  
 >10 : ±0.3  
 ANGLES : ±3°
- CONFORMS TO THE REQUIREMENTS OF  
 EIA/ECA-364-1000.01A(CONTROLLED ENVIRONMENT APPLICATIONS,  
 AND TE PRODUCT SPECIFICATION 108-78570.

	BLACK	NATURAL	Au PL. 0.00076mm MIN. ON CONTACT AREA TIN PL. ON SOLDERING AREA Ni UNDER PL. 0.00127mm ALL OVER	2040727-7
(E)	OBSOLETE	BLACK	Au PL. 0.00076mm MIN. ON CONTACT AREA TIN PL. ON SOLDERING AREA Ni UNDER PL. 0.00127mm ALL OVER	<del>2040727-6</del>
(E)	OBSOLETE	NATURAL	Au PL. 0.00076mm MIN. ON CONTACT AREA TIN PL. ON SOLDERING AREA Ni UNDER PL. 0.00127mm ALL OVER	<del>2040727-5</del>
(E)	OBSOLETE	BLACK	Au PL. 0.00038mm MIN. ON CONTACT AREA TIN PL. ON SOLDERING AREA Ni UNDER PL. 0.00127mm ALL OVER	<del>2040727-4</del>
	BLACK	NATURAL	Au PL. 0.00005mm MIN. WITH Pd-Ni 0.00076mm MIN. ON CONTACT AREA TIN PL. ON SOLDERING AREA Ni UNDER PL. 0.002mm ALL OVER	2040727-1
	HOUSING COLOR	EXTRACTOR COLOR	CONTACT FINISH	PART NUMBER



KEEP OUT AREA RESERVED FOR EXTRACTORS  
 (HATCHING AREA, 2 PLC TYP.)

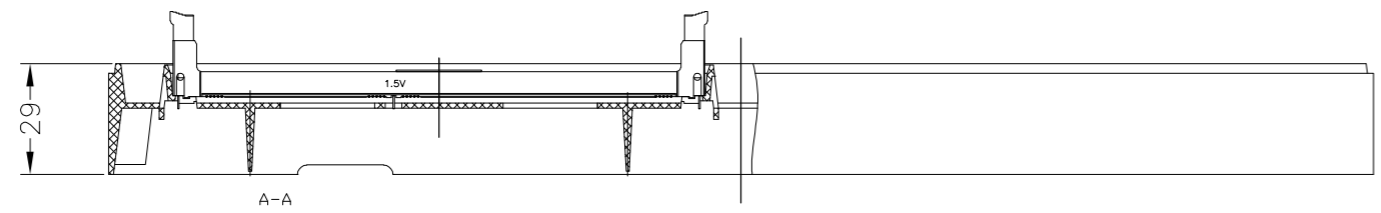
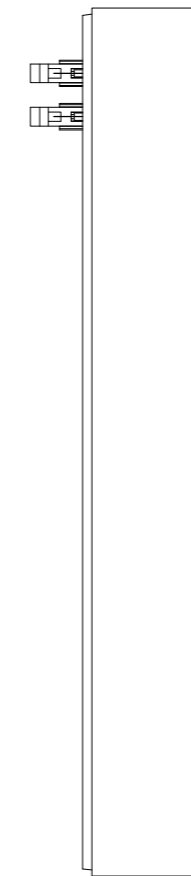
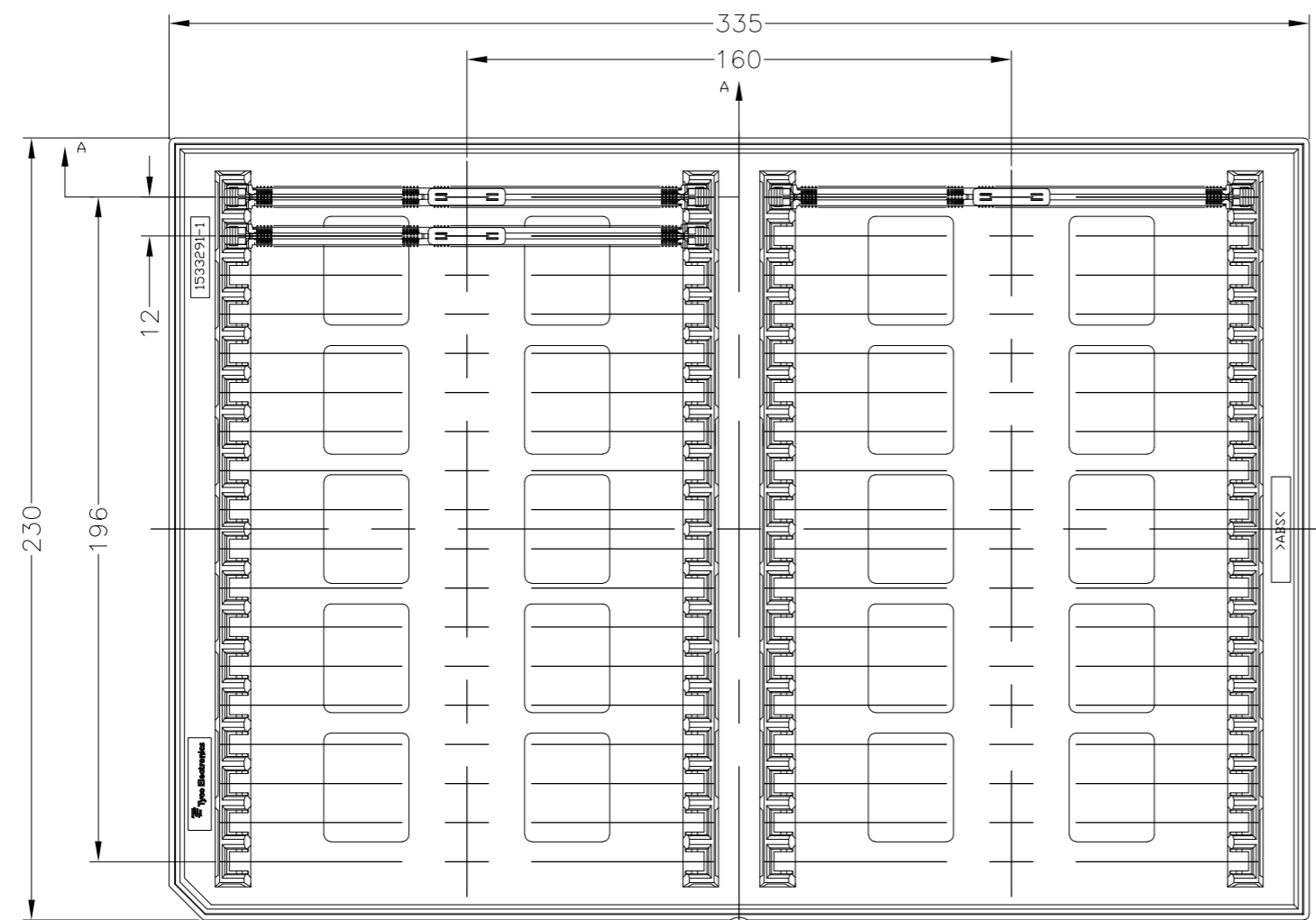
THIS DRAWING IS A CONTROLLED DOCUMENT.		DWN T.KAWAMAE 22AUG08	TE Connectivity SOCKET ASSEMBLY DDR-III, SMT, 240P	
DIMENSIONS: 単位: 耗 mm		CHK K.IKEGAMI 22AUG08		
TOLERANCES UNLESS OTHERWISE SPECIFIED: 一般公差		APVD K.IKEGAMI 22AUG08	NAME 名称	
0 PLC ± - 1 PLC ± - 2 PLC ± - 3 PLC ± - 4 PLC ± - ANGLES ± -		PRODUCT SPEC 製品規格 108-78570	RESTRICTED TO	
MATERIAL 材料 SEE NOTE		APPLICATION SPEC 取付適用規格	SIZE A3	CAGE CODE 00779
FINISH 仕上 SEE NOTE		WEIGHT 6.4g	DRAWING NO 番号 C-2040727	SCALE 尺度 2:1
		CUSTOMER DRAWING	SHEET 1 OF 4	REV E





THIS DRAWING IS UNPUBLISHED. RELEASED FOR PUBLICATION  
 © COPYRIGHT - By Tyco Electronics Japan G.K. ALL RIGHTS RESERVED.

LOC J	DIST /	REVISIONS 変更			DATE	DWN	APVD
P	LTR	DESCRIPTION					
-	-	SEE SHEET 1		-	-	-	



QTY: 36EA/TRAY

THIS DRAWING IS A CONTROLLED DOCUMENT.		DWN	TE Connectivity			
DIMENSIONS: 単位: 耗 mm		CHK				
TOLERANCES UNLESS OTHERWISE SPECIFIED: 一般公差		APVD	NAME 名称			
0 PLC ± - 1 PLC ± - 2 PLC ± - 3 PLC ± - 4 PLC ± - ANGLES ± -		PRODUCT SPEC 製品規格	SOCKET ASSEMBLY DDR-II, SMT, 240P			
MATERIAL 材料		APPLICATION SPEC 取付適用規格	SIZE	CAGE CODE	DRAWING NO 番号	RESTRICTED TO
FINISH 仕上		WEIGHT	A3	00779	G-2040727	-
CUSTOMER DRAWING			SCALE 尺度	NTS	SHEET 4 of 4	REV E