



Chipsmall Limited consists of a professional team with an average of over 10 year of expertise in the distribution of electronic components. Based in Hongkong, we have already established firm and mutual-benefit business relationships with customers from,Europe,America and south Asia,supplying obsolete and hard-to-find components to meet their specific needs.

With the principle of “Quality Parts,Customers Priority,Honest Operation,and Considerate Service”,our business mainly focus on the distribution of electronic components. Line cards we deal with include Microchip,ALPS,ROHM,Xilinx,Pulse,ON,Everlight and Freescale. Main products comprise IC,Modules,Potentiometer,IC Socket,Relay,Connector.Our parts cover such applications as commercial,industrial, and automotives areas.

We are looking forward to setting up business relationship with you and hope to provide you with the best service and solution. Let us make a better world for our industry!



Contact us

Tel: +86-755-8981 8866 Fax: +86-755-8427 6832

Email & Skype: info@chipsmall.com Web: www.chipsmall.com

Address: A1208, Overseas Decoration Building, #122 Zhenhua RD., Futian, Shenzhen, China



4

3

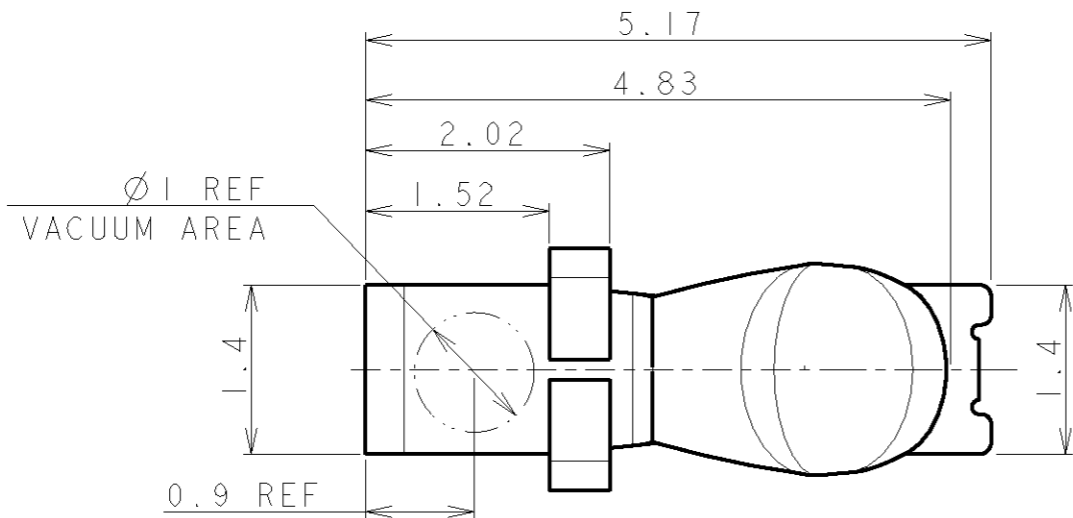
2

1

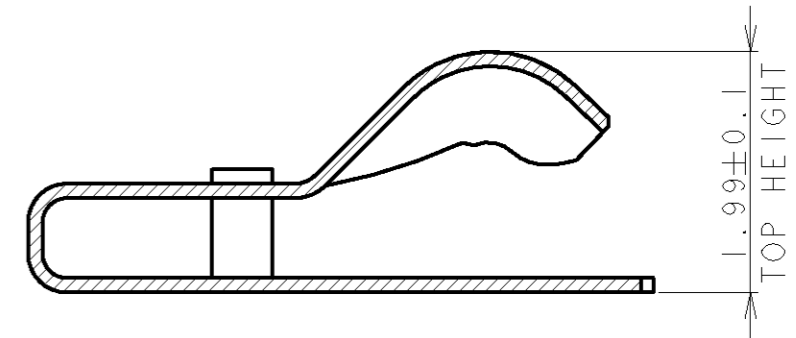
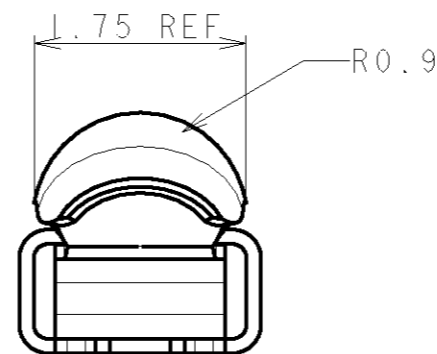
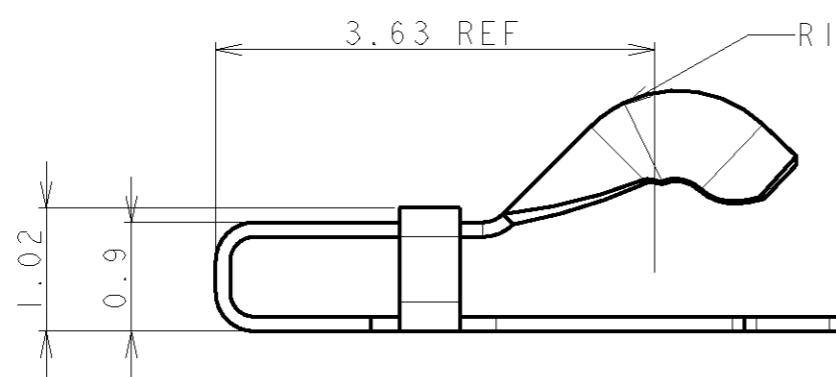
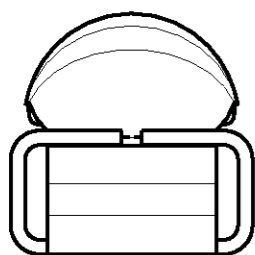
THIS DRAWING IS UNPUBLISHED. RELEASED FOR PUBLICATION 2008

© COPYRIGHT 2008 BY TYCO ELECTRONICS CORPORATION. ALL RIGHTS RESERVED.

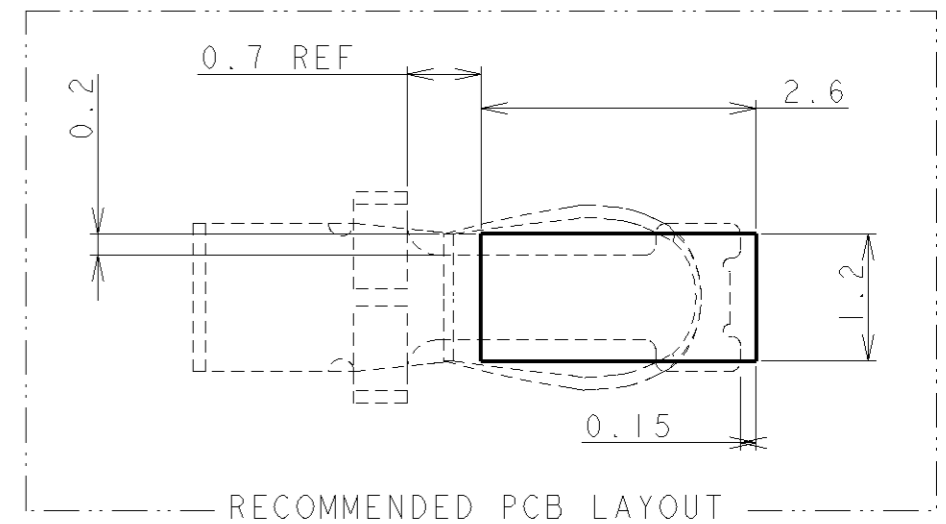
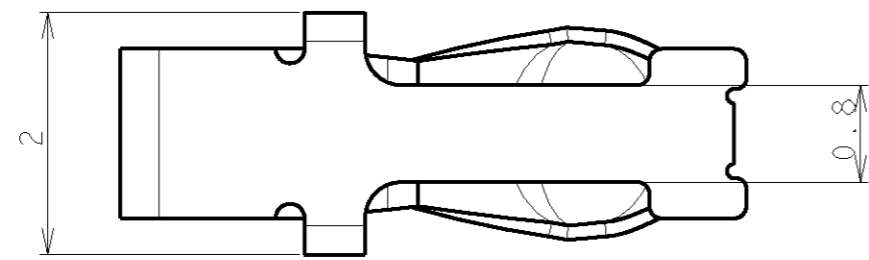
LOC	DIST	REVISIONS					
J		P	LTR	DESCRIPTION	DATE	DWN	APVD
			A	RELEASED	17JUL2009	C.O	Y.N



AS SHOWN : -1



SECTION A-A



- 1 MATERIAL ELEMENT : COPPER ALLOY, THICKNESS: 0.12mm
- 2 FINISH ELEMENT : SOLDERING TINE SURFACE Au PLATING; 0.0005mmMIN. CONTACT AREA Au PLATING; 0.00025mmMIN. ALL OVER NICKEL PLATING.

<small>THIS DRAWING IS A CONTROLLED DOCUMENT FOR TYCO ELECTRONICS CORPORATION. IT IS SUBJECT TO CHANGE AND THE CONTROLLING ENGINEERING ORGANIZATION SHOULD BE CONTACTED FOR THE LATEST REVISION.</small>		DWN 17JUL2009 C.OHASHI		Tyco Electronics Corporation Kawasaki, Japan	
DIMENSIONS: 单位: 毫米 mm		TOLERANCES UNLESS OTHERWISE SPECIFIED: 一般公差 ±0.15 0-PLC ± 1-PLC ± 2-PLC ± 3-PLC ± 4-PLC ± ANGLES ±1°		NAME 名称 SHIELD FINGER 199 14	
MATERIAL 材料 Copper Alloy		FINISH 仕上 Ni, Au		PRODUCT SPEC 製品規格 108-XXXXX APPLICATION SPEC 取付適用規格 114-XXXXX	
		WEIGHT 重量 0.02g		SIZE 寸法 A300779	
		CUSTOMER DRAWING		DRAWING NO 番号 C=2040761	
		SCALE 尺度 16:1		RESTRICTED TO -	
		SHEET 1 OF 2		REV A	

4

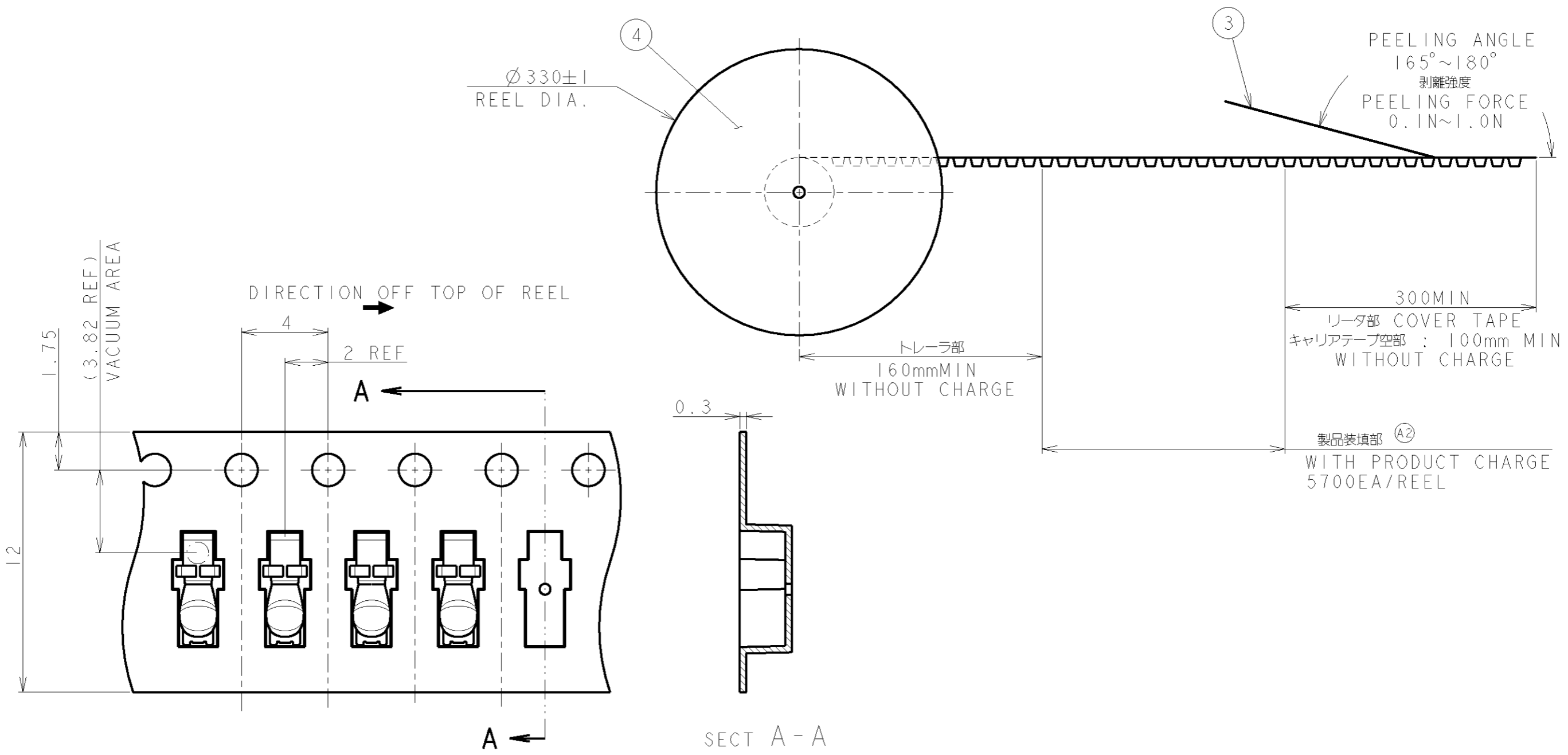
3

2

1

THIS DRAWING IS UNPUBLISHED. RELEASED FOR PUBLICATION 2008
 © COPYRIGHT 2008 BY TYCO ELECTRONICS CORPORATION. ALL RIGHTS RESERVED.

LOC	DIST	REVISIONS					
J		P	LTR	DESCRIPTION	DATE	DWN	APVD
		-		SEE SHEET 1	-	-	-



THIS DRAWING IS A CONTROLLED DOCUMENT FOR TYCO ELECTRONICS CORPORATION IT IS SUBJECT TO CHANGE AND THE CONTROLLING ENGINEERING ORGANIZATION SHOULD BE CONTACTED FOR THE LATEST REVISION.		DWN 17JUL2009 C. OHASHI		Tyco Electronics Corporation Kawasaki, Japan	
DIMENSIONS: 単位: 概 mm		TOLERANCES UNLESS OTHERWISE SPECIFIED: 一般公差 ±0.2		NAME 名称 SHIELD FINGER 199 14	
		0 PLC ± 1 PLC ± 2 PLC ± 3 PLC ± 4 PLC ± ANGLES ±1°		PRODUCT SPEC 製品規格 108-XXXXX APPLICATION SPEC 取付適用規格 114-XXXXX	
MATERIAL 材料 Copper Alloy		FINISH 仕上 Ni, Au		WEIGHT 0.02g SIZE A300779 CAGE CODE DRAWING NO. 2040761 RESTRICTED TO -	
CUSTOMER DRAWING				SCALE 16:1 SHEET 2 OF 2 REV A	