



Chipsmall Limited consists of a professional team with an average of over 10 year of expertise in the distribution of electronic components. Based in Hongkong, we have already established firm and mutual-benefit business relationships with customers from,Europe,America and south Asia,supplying obsolete and hard-to-find components to meet their specific needs.

With the principle of “Quality Parts,Customers Priority,Honest Operation,and Considerate Service”,our business mainly focus on the distribution of electronic components. Line cards we deal with include Microchip,ALPS,ROHM,Xilinx,Pulse,ON,Everlight and Freescale. Main products comprise IC,Modules,Potentiometer,IC Socket,Relay,Connector.Our parts cover such applications as commercial,industrial, and automotives areas.

We are looking forward to setting up business relationship with you and hope to provide you with the best service and solution. Let us make a better world for our industry!



Contact us

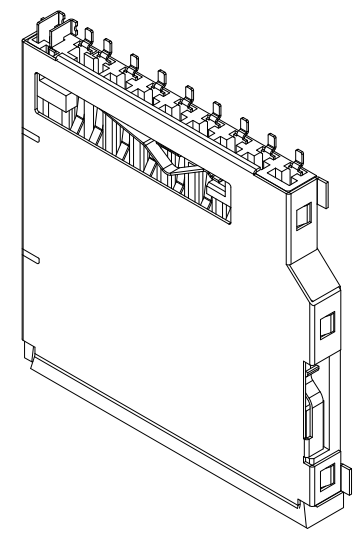
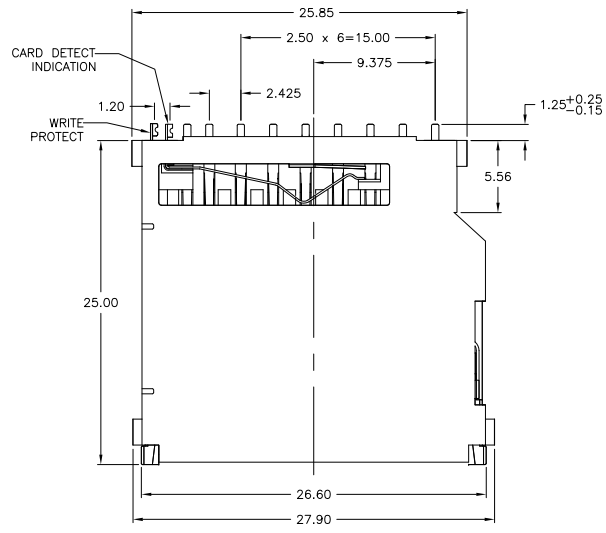
Tel: +86-755-8981 8866 Fax: +86-755-8427 6832

Email & Skype: info@chipsmall.com Web: www.chipsmall.com

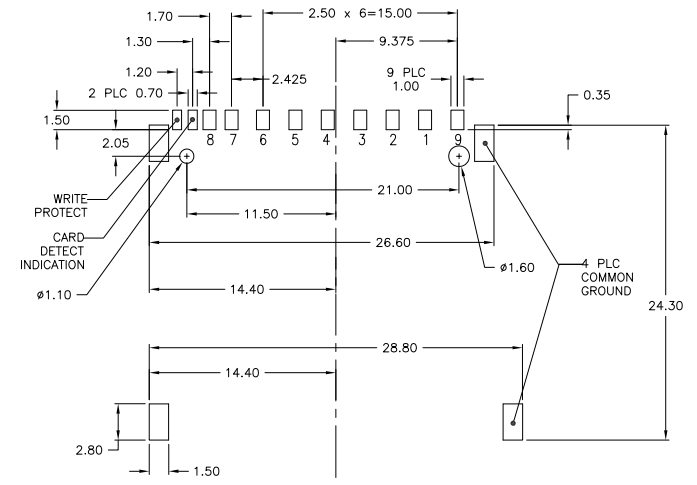
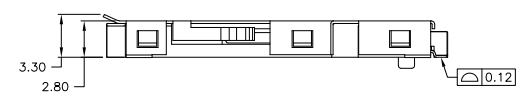
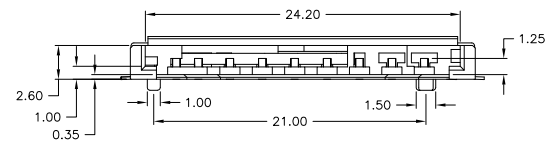
Address: A1208, Overseas Decoration Building, #122 Zhenhua RD., Futian, Shenzhen, China



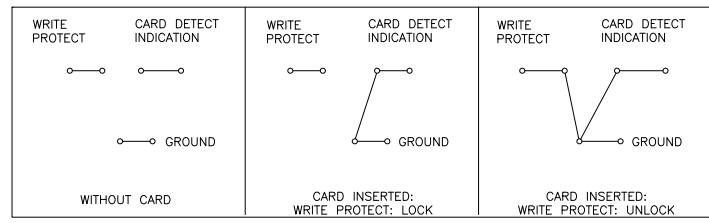
REV. NO.		REVISIONS			
DATE	BY	DESCRIPTION	DATE	BY	APP'D
GP 00	A6	REVISED PER ECO-12-008936	20JUL2012	JL	WK



- 1. MATERIAL:
HOUSING: THERMOPLASTIC, WITH 30% GLASS FIBER FILLED, UL 94V-0 RATED, COLOR: IVORY.
CONTACTS: PHOSPHOR BRONZE, THICKNESS=0.20mm.
SHIELD: STEEL ALLOY, THICKNESS=0.20mm.
- 2. FINISH:
CONTACT: 30µ" MIN GOLD PLATED ON CONTACT AREA.
80µ" MIN MATTE TIN PLATED ON SOLDERTAILS.
50µ" MIN NICKEL UNDERPLATE ALL OVER.
SHIELD: GOLD FLASH ON SOLDERING AREA. 30µ" MIN NICKEL UNDERPLATED ALL OVER.
- 3. FINISH:
CONTACT: 10µ" MIN GOLD PLATED ON CONTACT AREA.
80µ" MIN MATTE TIN PLATED ON SOLDERTAILS.
50µ" MIN NICKEL UNDERPLATE ALL OVER.
SHIELD: GOLD FLASH ON SOLDERING AREA. 30µ" MIN NICKEL UNDERPLATED ALL OVER.
- 4. SWITCH: NORMALLY OPEN.
- 5. REFLOW SOLDER CAPABLE TO 260°C PER TE CONNECTIVITY SPEC 109-201, CONDITION B.



CIRCUIT:



RECOMMENDED PCB LAYOUT
TOLERANCES: ±0.05mm

REV. NO.	DESCRIPTION	PART NUMBER
3	REEL	2041021-4
3	TRAY	2041021-3
2	REEL	2041021-2
2	TRAY	2041021-1
FINISH	PACKAGING	PART NUMBER

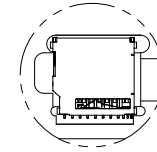
THIS DRAWING IS A CONTROLLED DOCUMENT.

DATE: 25/FEB/08
 DESIGNED BY: B. MCMASTER
 CHECKED BY: D. SORENC
 APPROVED BY: D. SORENC

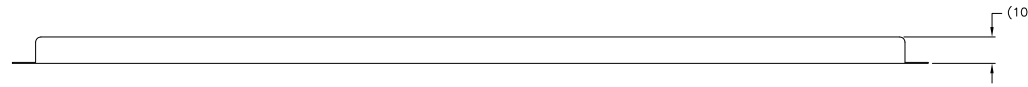
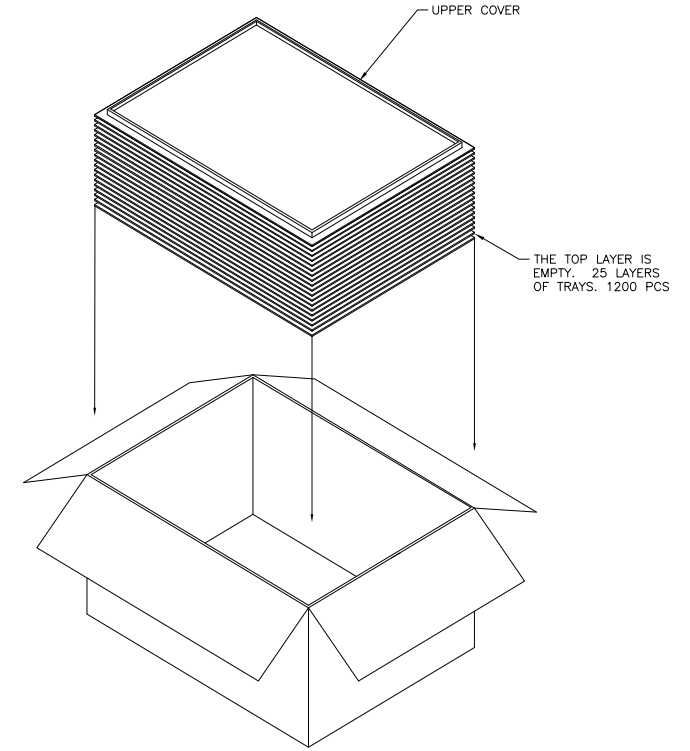
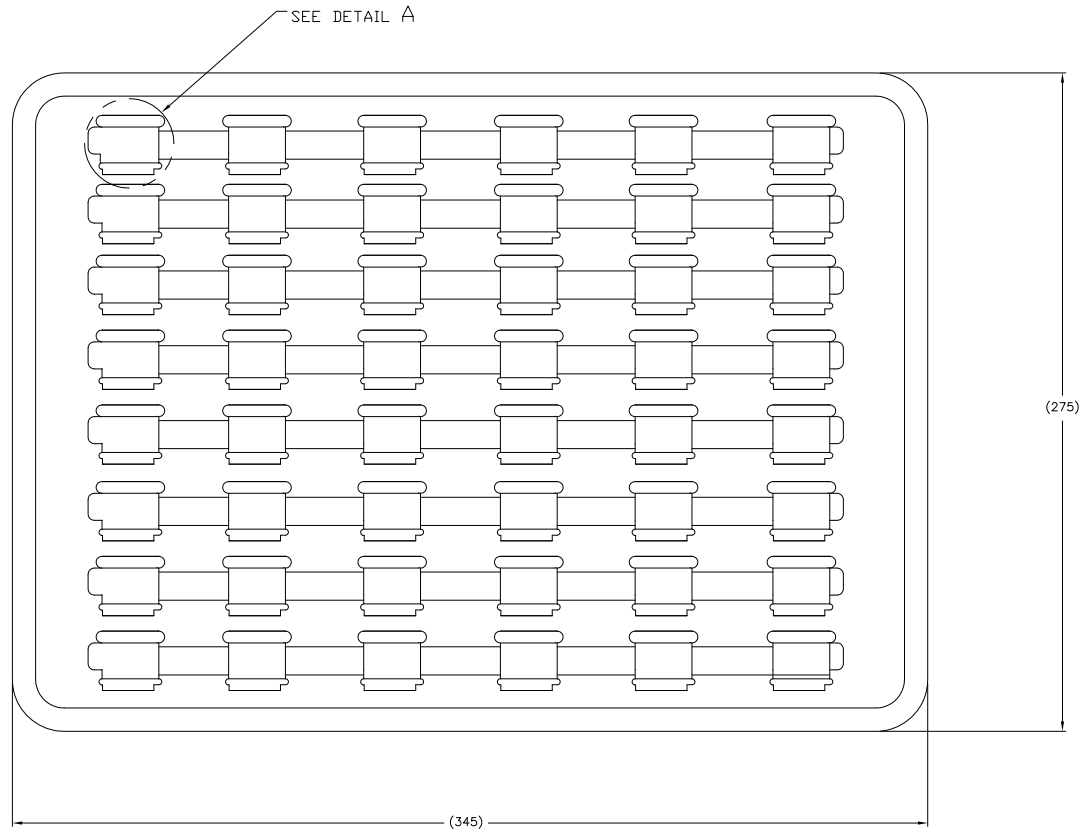
TE Connectivity
TE
 SECURE DIGITAL CARD CONNECTOR

APPLICATOR: 100779
 DATE CODE: C=2041021
 SIZE: A1
 SCALE: 5:1
 SHEET: 1 of 3
 REV: A6

LOC	DATE	REVISIONS				
GP	00	REV	DESCRIPTION	DATE	OWN	APPD
-	-	SEE SHEET 1	-	-	-	-

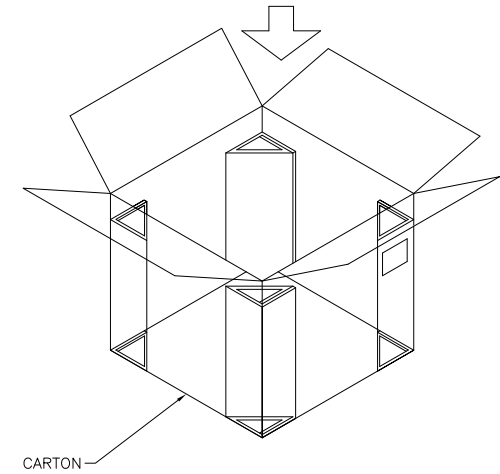
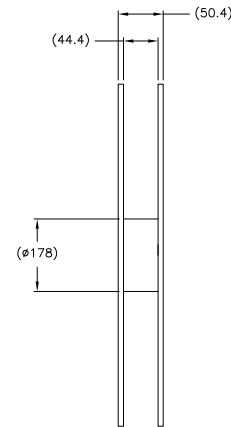
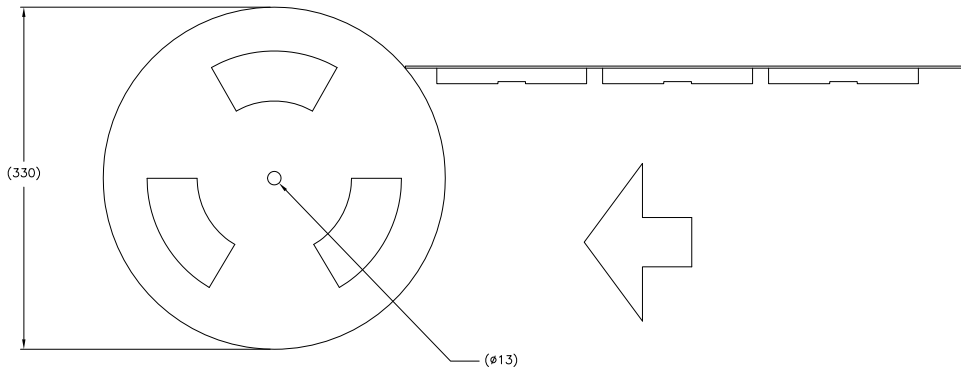
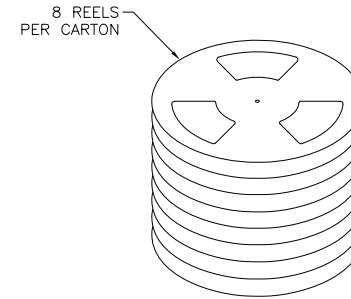
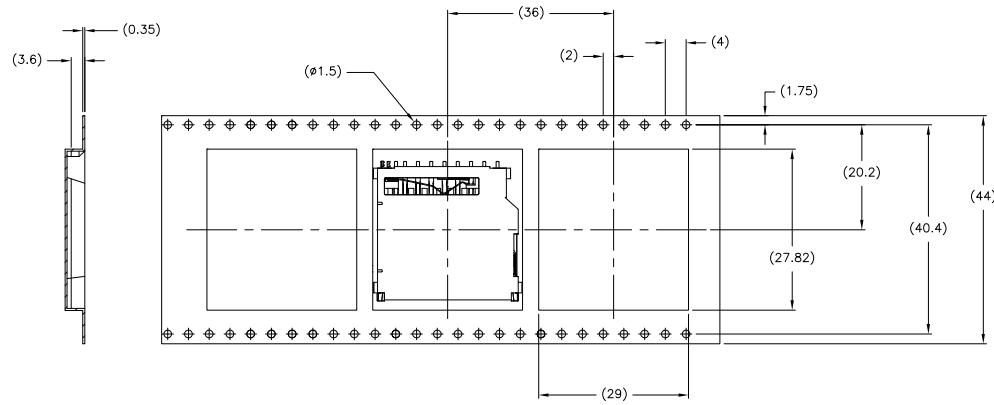


DETAIL A
 PART ORIENTATION
 SHOWN FOR REFERENCE



TRAY PACKAGING FOR
 2041021-1 AND 2041021-3
 48 PIECES PER TRAY.
 -NTS-

THIS DRAWING IS A CONTROLLED DOCUMENT.		DATE: 25/08/08	TE Connectivity	
DRAWN BY: B. MCMASTER		DATE: 25/08/08	TE Connectivity	
CHECKED BY: D. SORENC		DATE: 25/08/08	TE Connectivity	
APPROVED BY: D. SORENC		DATE: 25/08/08	TE Connectivity	
PRODUCT SPEC: -		SECURE DIGITAL CARD CONNECTOR		
APPLICATION SPEC: -		SIZE: A1	DATE CODE: 00779	DRAWING NO: C=2041021
MATERIAL: -		WEIGHT: -	RESTRICTED TO: -	SCALE: 5:1
FINISH: -		CUSTOMER DRAWING	SHEET 2 of 3	REV A6



TAPE AND REEL PACKAGING FOR
2041021-2 AND 2041021-4
300 PIECES PER REEL
-NTS-

THIS DRAWING IS A CONTROLLED DOCUMENT.		DATE: 25/FEB/08	TE Connectivity	
DRAWN BY: B. MCMASTER		25/FEB/08	SECURE DIGITAL CARD CONNECTOR	
CHECKED BY: D. SORENC		25/FEB/08	CUSTOMER DRAWING	
APPROVED BY: D. SORENC		25/FEB/08	SCALE: 5:1	
PRODUCT SPEC: --		SIZE: A1		RESTRICTED TO: --
APPLICATION SPEC: --		DRAWING NO: 100779		REV: 3
MATERIAL: --		WEIGHT: --		SHEET: 3 of 3
FINISH: --		SCALE: 5:1		REV: A6