



Chipsmall Limited consists of a professional team with an average of over 10 year of expertise in the distribution of electronic components. Based in Hongkong, we have already established firm and mutual-benefit business relationships with customers from,Europe,America and south Asia,supplying obsolete and hard-to-find components to meet their specific needs.

With the principle of “Quality Parts,Customers Priority,Honest Operation,and Considerate Service”,our business mainly focus on the distribution of electronic components. Line cards we deal with include Microchip,ALPS,ROHM,Xilinx,Pulse,ON,Everlight and Freescale. Main products comprise IC,Modules,Potentiometer,IC Socket,Relay,Connector.Our parts cover such applications as commercial,industrial, and automotives areas.

We are looking forward to setting up business relationship with you and hope to provide you with the best service and solution. Let us make a better world for our industry!



Contact us

Tel: +86-755-8981 8866 Fax: +86-755-8427 6832

Email & Skype: info@chipsmall.com Web: www.chipsmall.com

Address: A1208, Overseas Decoration Building, #122 Zhenhua RD., Futian, Shenzhen, China



4

3

2

1

THIS DRAWING IS UNPUBLISHED.

RELEASED FOR PUBLICATION AUG ,2006.

© COPYRIGHT 2009 BY TYCO ELECTRONICS CORPORATION. ALL RIGHTS RESERVED.

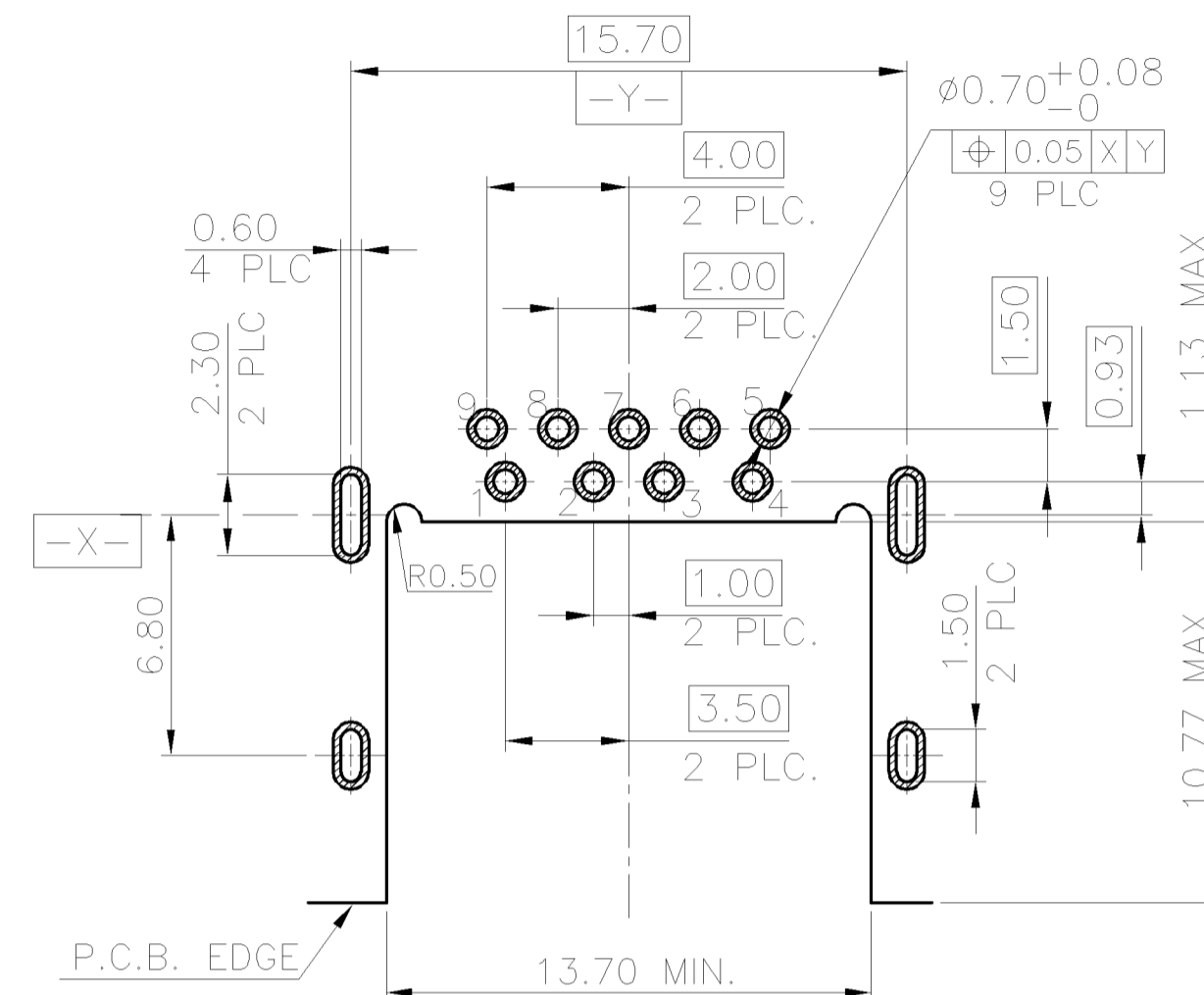
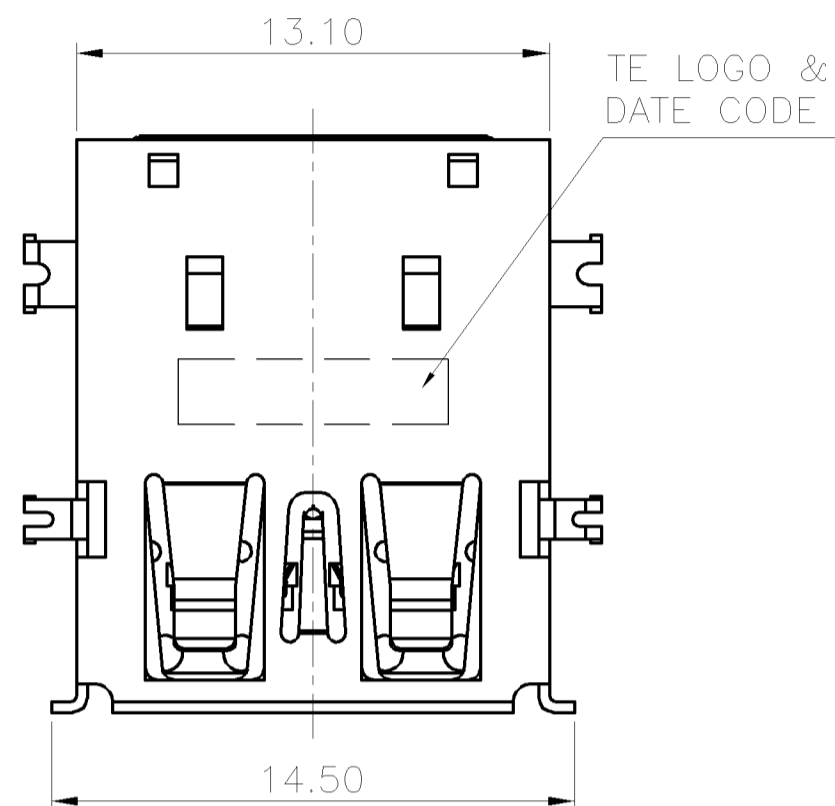
LOC DW DIST

REVISIONS

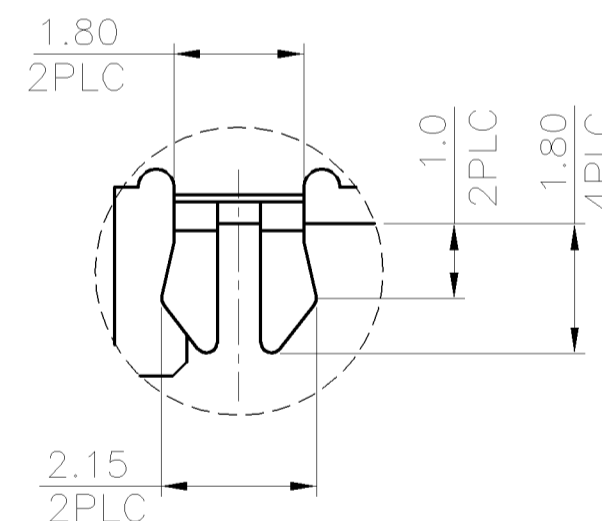
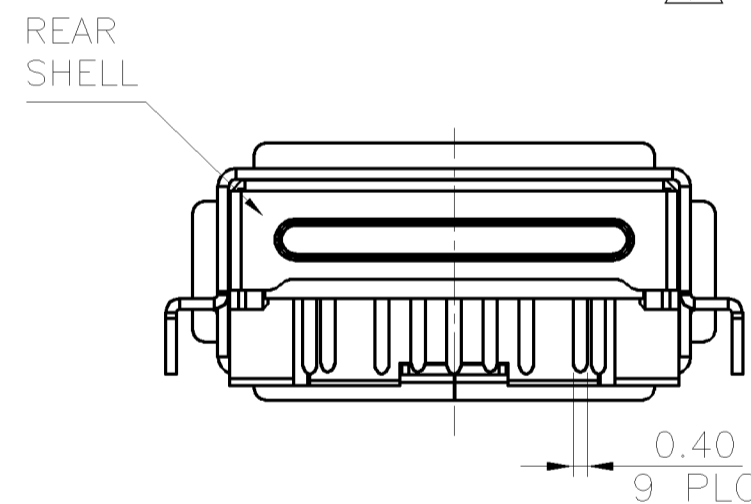
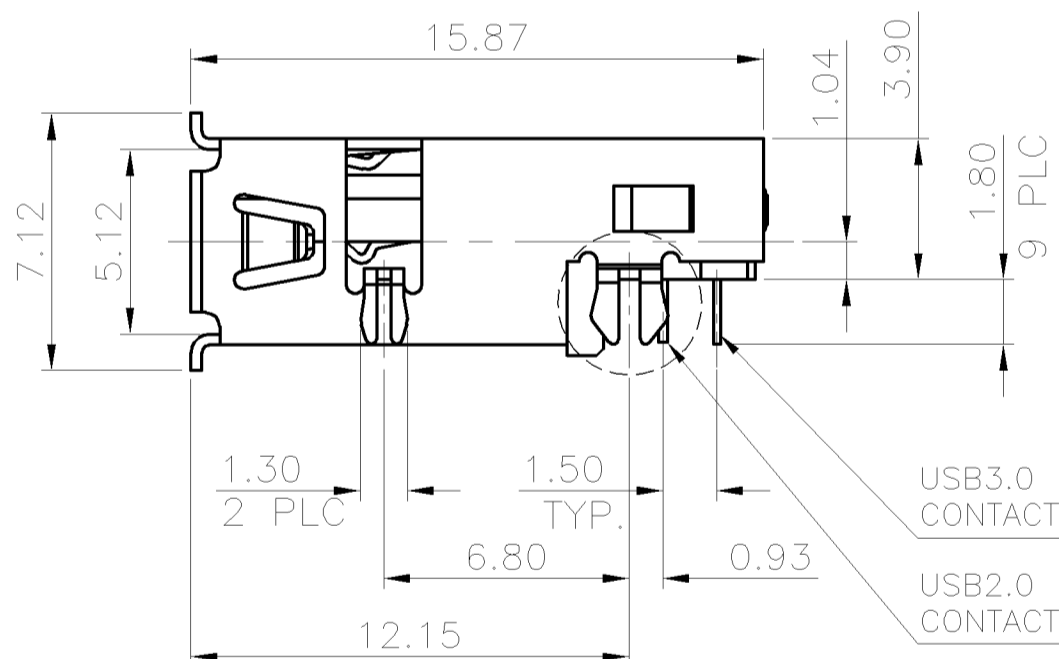
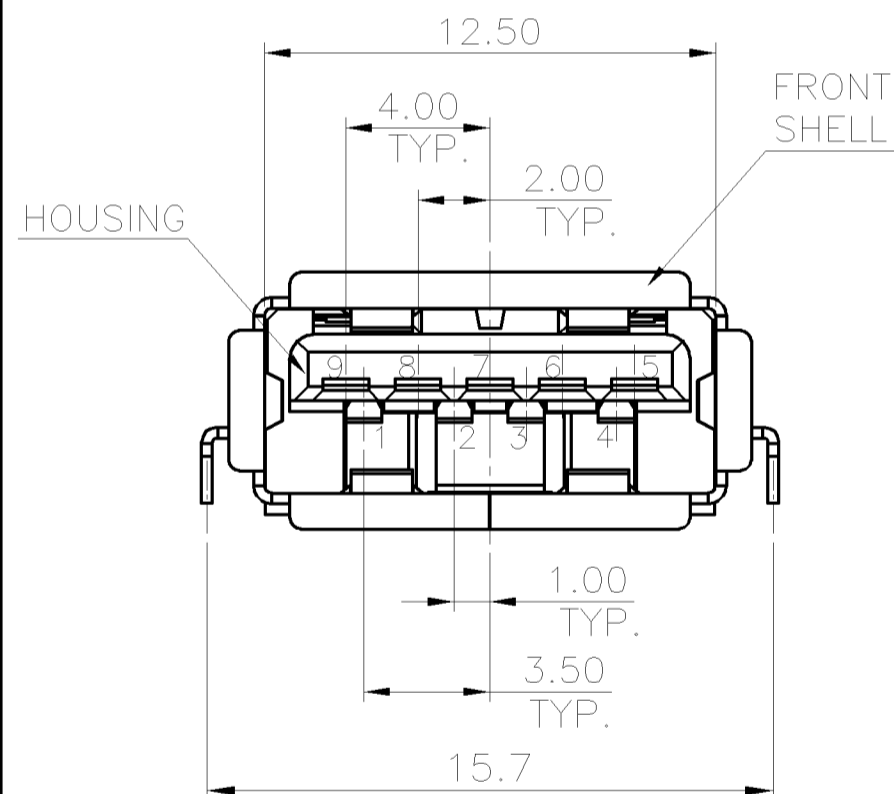
P	LTR	DESCRIPTION	DATE	DWN	APVD
	A	RELEASED.	20DEC10	JC	WK

NOTE:

- MATERIAL:
 - HOUSING: HTN WITH 30% GF, UL 94V-0, BLACK COLOR.
 - SPACER: HTN WITH 30% GF, UL 94V-0, BLACK COLOR.
 - USB2.0 CONTACT: PHOSPHOR BRONZE, 0.25±0.05mm THICKNESS.
 - USB3.0 CONTACT: BRASS. 0.20±0.05mm THICKNESS.
 - FRONT SHELL: STAINLESS STEEL, 0.30±0.05mm THICKNESS.
 - REAR SHELL: STAINLESS STEEL, 0.20±0.05mm THICKNESS.
 - FINISH:
 - CONTACT: 0.762µm [30µ"] MIN. GOLD PLATING ON CONTACT AREA, 3.048µm [120µ"] MIN. MATTE TIN PLATING ON SOLDER TAILS, WITH 1.27µm [50µ"] MIN. NICKEL UNDERPLATED ON ENTIRE CONTACT.
 - SHELL: 0.762µm [30µ"] MIN. NICKEL PLATED OVER 0.762µm [30µ"] MIN. Cu UNDERPLATING OVERALL.
 - REFLOW SOLDER CAPABLE TO 260°C PER TE SPEC 109-201, CONDITION B.
 - DATE CODE: YYWWD
 - NO PIN MARK ON PRODUCT.
 - LOW HALOGEN SPECIFICATION:
 - CHLORINE(Cl): 900ppm MAX.
 - BROMINE(Br): 900ppm MAX.
- △ NO BOARD LOCK FUNCTION APPLICATION.



RECOMMEND P.C.B LAYOUT (THICKNESS=1.2mm)
 △ (COMPONENT SIDE) TOLERANCE±0.05



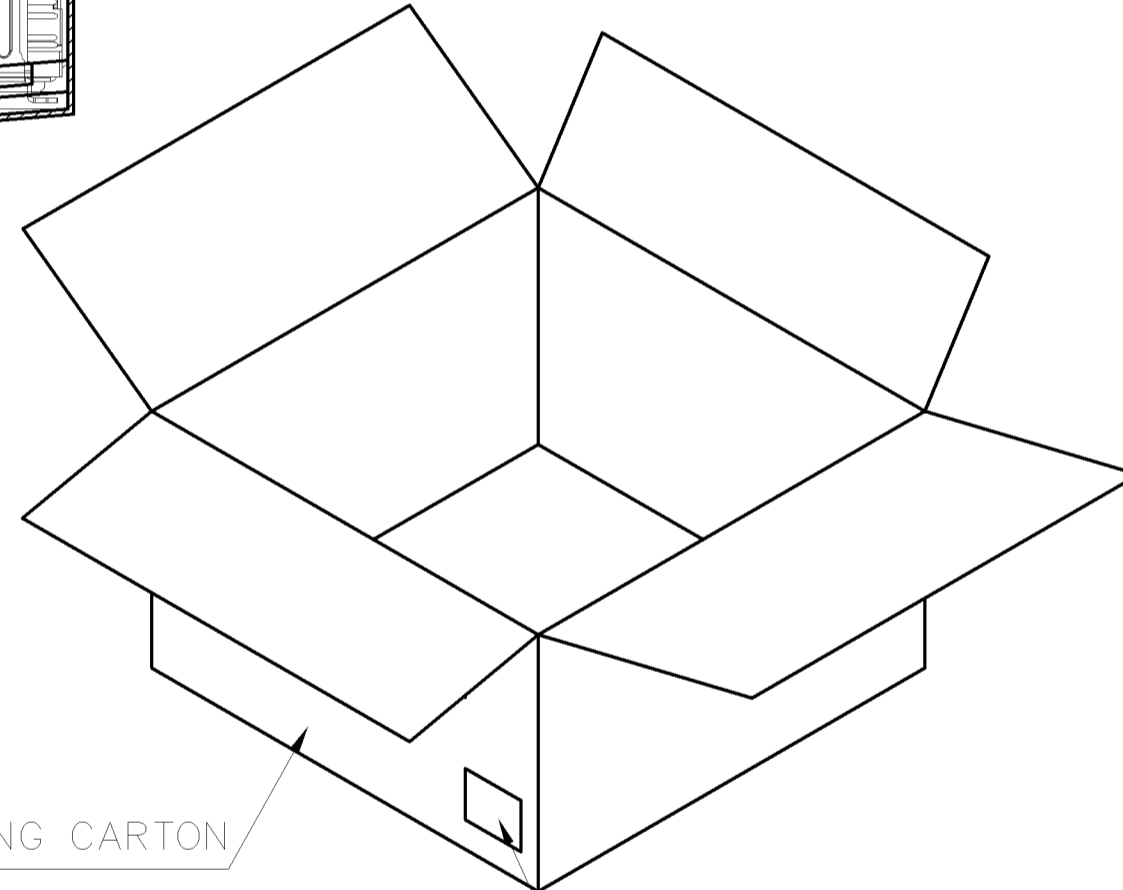
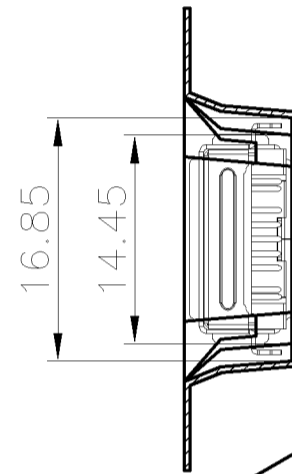
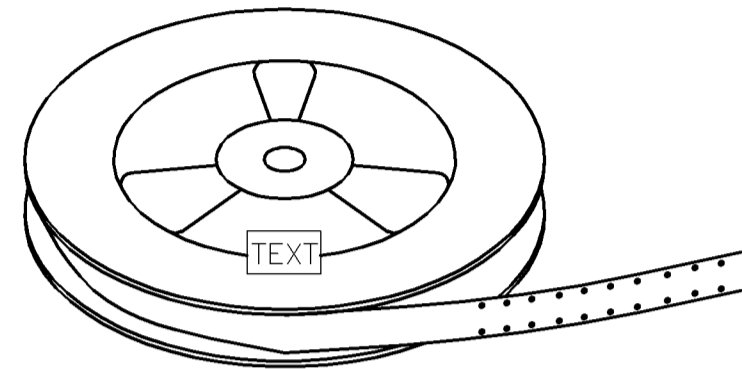
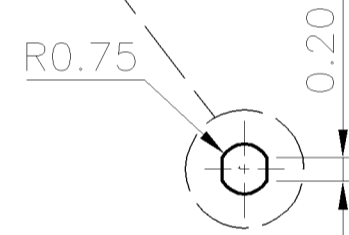
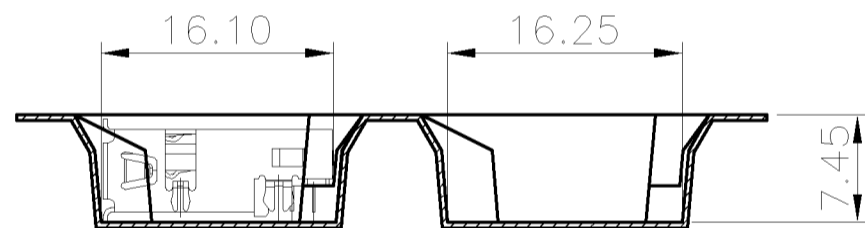
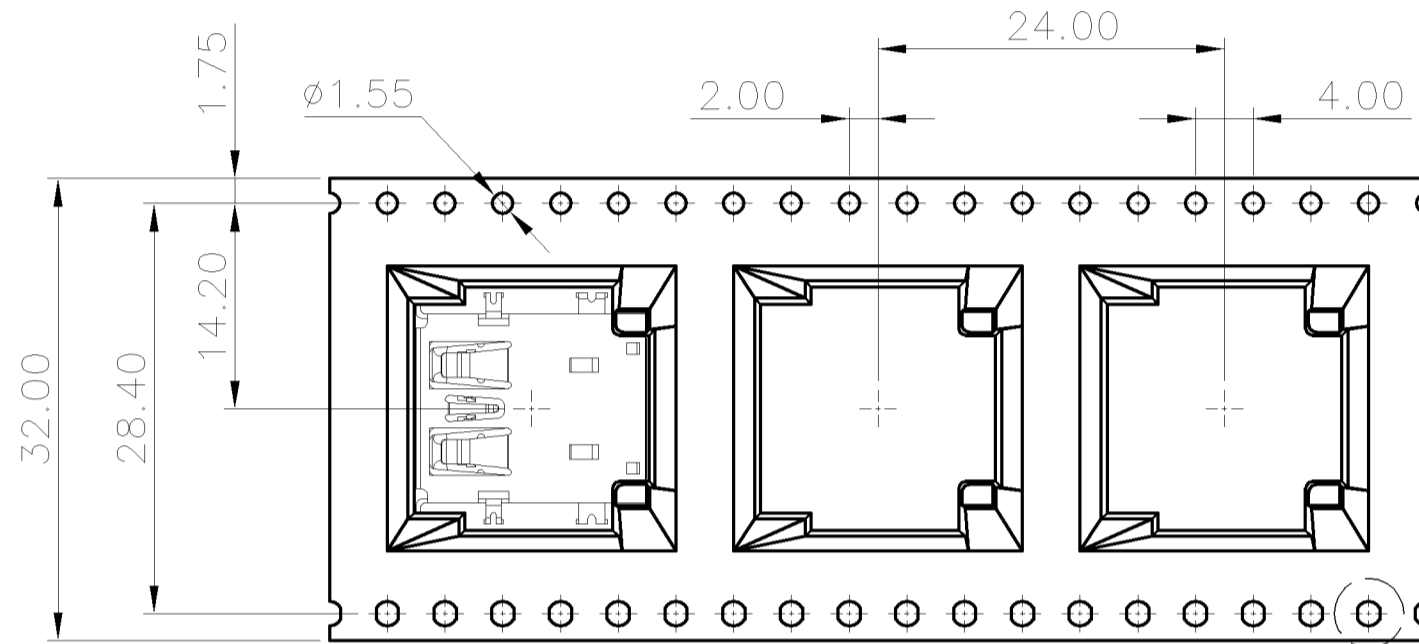
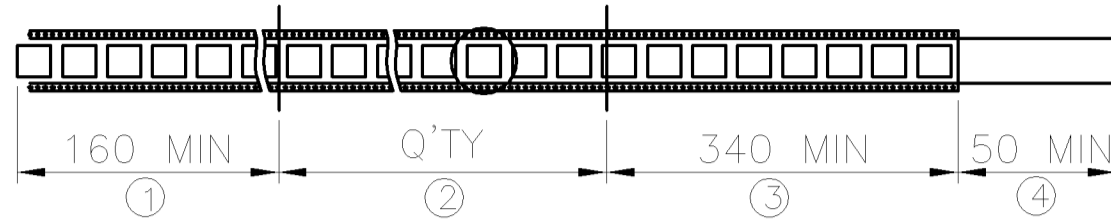
TAPE & REEL	2041179-1
PACKAGING	PART NUMBER

THIS DRAWING IS A CONTROLLED DOCUMENT.		DWN J. CHEN 20DEC2010	Tyco Electronics Corporation Taipei, Taiwan	
DIMENSIONS: MM		CHK S. CHIEN 20DEC2010		
		APVD W. KODAMA 20DEC2010		
TOLERANCES UNLESS OTHERWISE SPECIFIED:		NAME	USB 3.0 STANDARD TYPE A, RECEPTACLE, CL:1.04mm	
0 PLC ± -		PRODUCT SPEC	108-57791	
1 PLC ± 0.35		APPLICATION SPEC	-	
2 PLC ± 0.25		SIZE	CAGE CODE	DRAWING NO
3 PLC ± 0.15		1.80 GRAMS		A300779
4 PLC ± -		CUSTOMER DRAWING		G=2041179
ANGLES ± 3°		SCALE		SHEET 1 OF 2
MATERIAL SEE NOTE		FINISH SEE NOTE		REV A

LOC DW DIST

REVISIONS				
P	LTR	DESCRIPTION	DATE	APVD
-	-	SEE SHEET 1.	-	-

PULL OUT DIRECTION

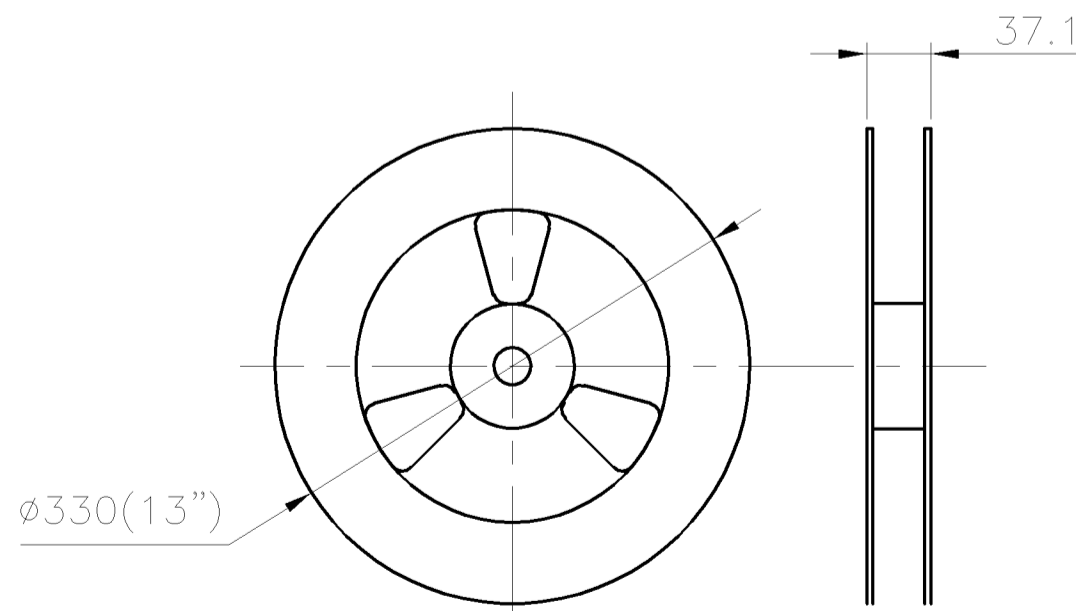
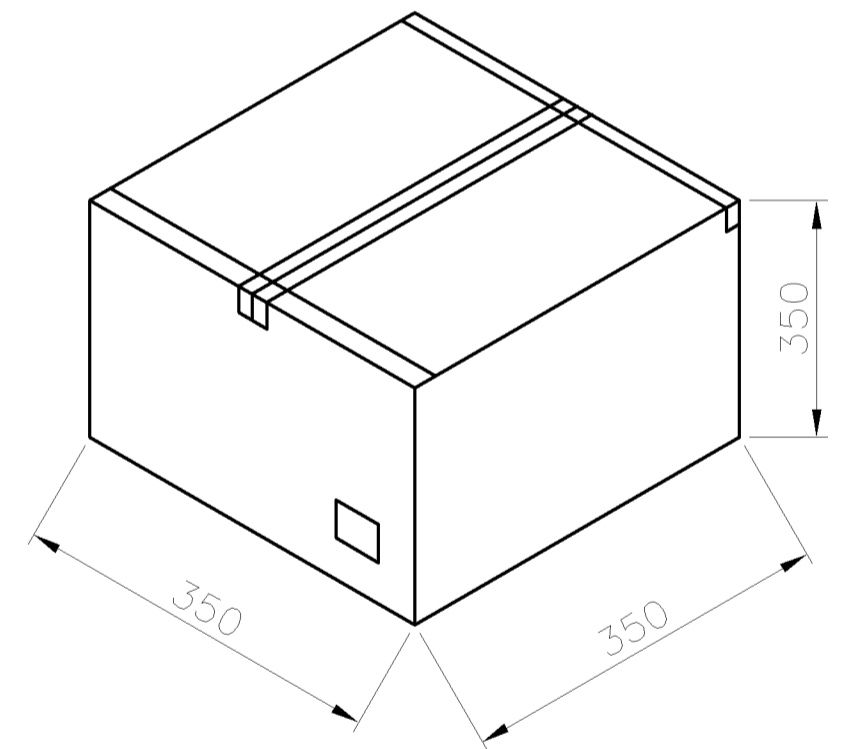


SHIPPING CARTON

LABEL

NOTES:

- 1.MATERIAL:
REEL: PS.
CARRIER: PS.
COVER TAPE: PBT.
- 2.DIMENSION
REEL: 330mmX37.1mm
- 3.PEELING STRENGTH: 0.1~1.3N(10.2g~132.5g)
- 4.PEELING SPEED: 300MM/MIN.



9.46 Kg	4.86 Kg	300	9	2700 PCS	2041179-1
GROSS WEIGHT	NET WEIGHT	PCS/REEL	REELS /CARTON	QUANTITY	PART NUMBER

THIS DRAWING IS A CONTROLLED DOCUMENT.		DWN	Tyco Electronics Corporation Taipei, Taiwan		
DIMENSIONS: MM		CHK			
TOLERANCES UNLESS OTHERWISE SPECIFIED:		APVD	NAME		
0 PLC ± -		PRODUCT SPEC	USB 3.0 STANDARD TYPE A, RECEPTACLE, CL:1.04mm		
1 PLC ± -		APPLICATION SPEC	SIZE	CAGE CODE	DRAWING NO
2 PLC ± -		WEIGHT	A3	00779	C=2041179
3 PLC ± -		CUSTOMER DRAWING	SCALE	SHEET	REV
4 PLC ± -			-	2 OF 2	A
ANGLES ± -					
FINISH					
MATERIAL					