



Chipsmall Limited consists of a professional team with an average of over 10 year of expertise in the distribution of electronic components. Based in Hongkong, we have already established firm and mutual-benefit business relationships with customers from,Europe,America and south Asia,supplying obsolete and hard-to-find components to meet their specific needs.

With the principle of “Quality Parts,Customers Priority,Honest Operation,and Considerate Service”,our business mainly focus on the distribution of electronic components. Line cards we deal with include Microchip,ALPS,ROHM,Xilinx,Pulse,ON,Everlight and Freescale. Main products comprise IC,Modules,Potentiometer,IC Socket,Relay,Connector.Our parts cover such applications as commercial,industrial, and automotives areas.

We are looking forward to setting up business relationship with you and hope to provide you with the best service and solution. Let us make a better world for our industry!



Contact us

Tel: +86-755-8981 8866 Fax: +86-755-8427 6832

Email & Skype: info@chipsmall.com Web: www.chipsmall.com

Address: A1208, Overseas Decoration Building, #122 Zhenhua RD., Futian, Shenzhen, China

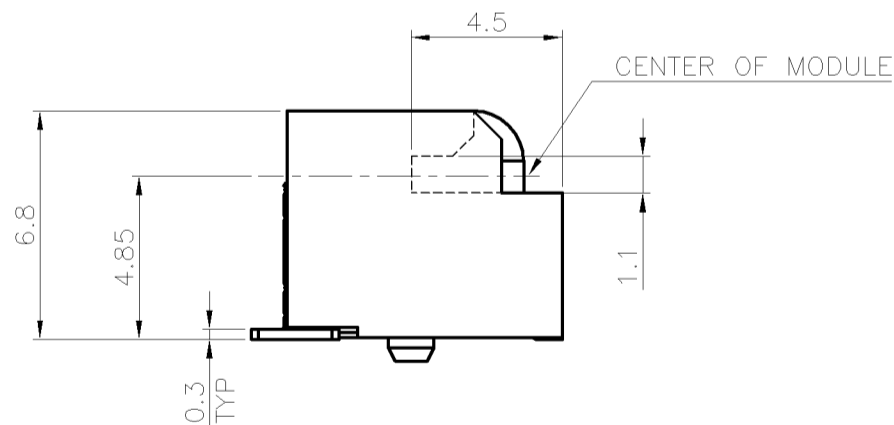
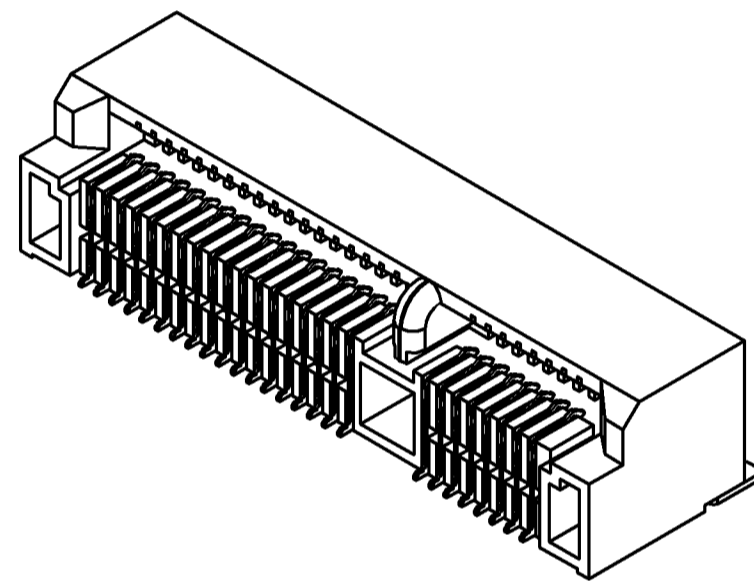
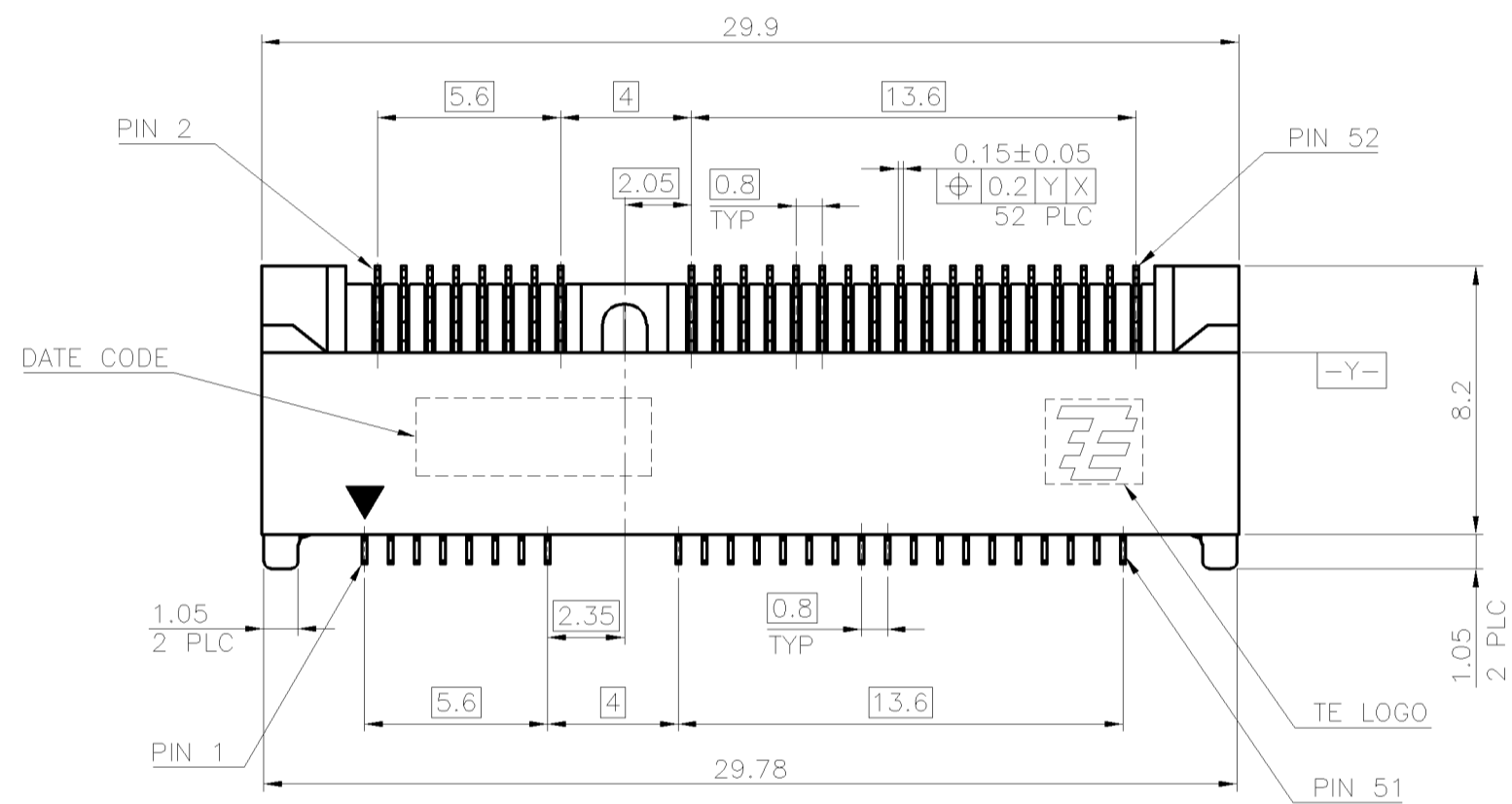
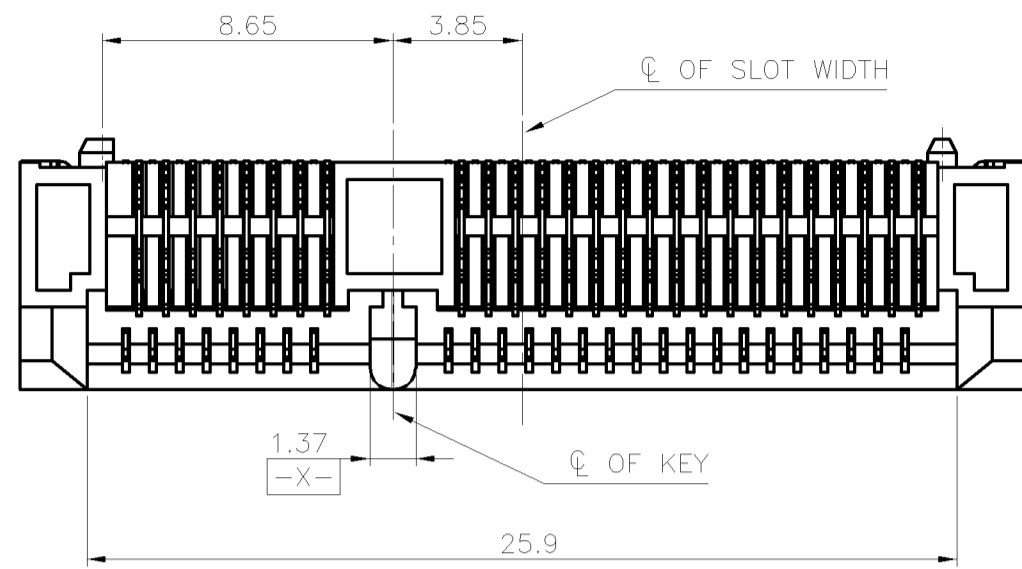


THIS DRAWING IS UNPUBLISHED. RELEASED FOR PUBLICATION
 © COPYRIGHT 2011 BY TE CONNECTIVITY. ALL RIGHTS RESERVED.

LOC	DIST	REVISIONS			
P	LTR	DESCRIPTION	DATE	DWN	APVD
DW	-				
C		ECR-11-018217	02SEP11	AW	WK

NOTES:

- MATERIAL:
HOUSING: LCP WITH 40% GF, UL94 V-0, BLACK COLOR.
CONTACTS: PHOSPHOR BRONZE.
PEGS: BRASS.
- FINISH:
CONTACTS: (SEE TABLE) GOLD PLATED ON CONTACT AREA, GOLD FLASH ON SOLDER AREA, WITH ENTIRE CONTACT UNDERPLATED 1.27µm [50µ"] MIN. NICKEL.
PEGS: 2.54µm [100µ"] MIN. MATTE-TIN OVER 1.27µm [50µ"] MIN. NICKEL.
- REFLOW SOLDER CAPABLE TO 260° PER TEC-109-201, CONDITION B.
- SUBSTANCE RESTRICTIONS FOR LOW HALOGEN (BY WEIGHT):
 - BROMINE (Br) ≤ 900 PPM (0.09%)
 - CHLORINE (Cl) ≤ 900 PPM (0.09%)
 - TOTAL CONCENTRATION OF CHLORINE (Cl) + BROMINE (Br) ≤ 1500 PPM (0.15%)



PCI-E MINI CARD CONNECTOR SIGNAL ASSIGNMENTS

PIN#	NAME	PIN#	NAME
51	Reserved	52	+3.3Vaux
49	Reserved	50	GND
47	Reserved	48	+1.5V
45	Reserved	46	LED_WPAN#
43	GND	44	LED_WLAN#
41	+3.3Vaux	42	LED_WWAN#
39	+3.3Vaux	40	GND
37	GND	38	USB_D+
35	GND	36	USB_D-
33	PETp0	34	GND
31	PETn0	32	SMB_DATA
29	GND	30	SMB_CLK
27	GND	28	+1.5V
25	PERp0	26	GND
23	PERn0	24	+3.3Vaux
21	GND	22	PERST#
19	Reserved* (UIM_C4)	20	W_DISABLE#
17	Reserved* (UIM_C8)	18	GND

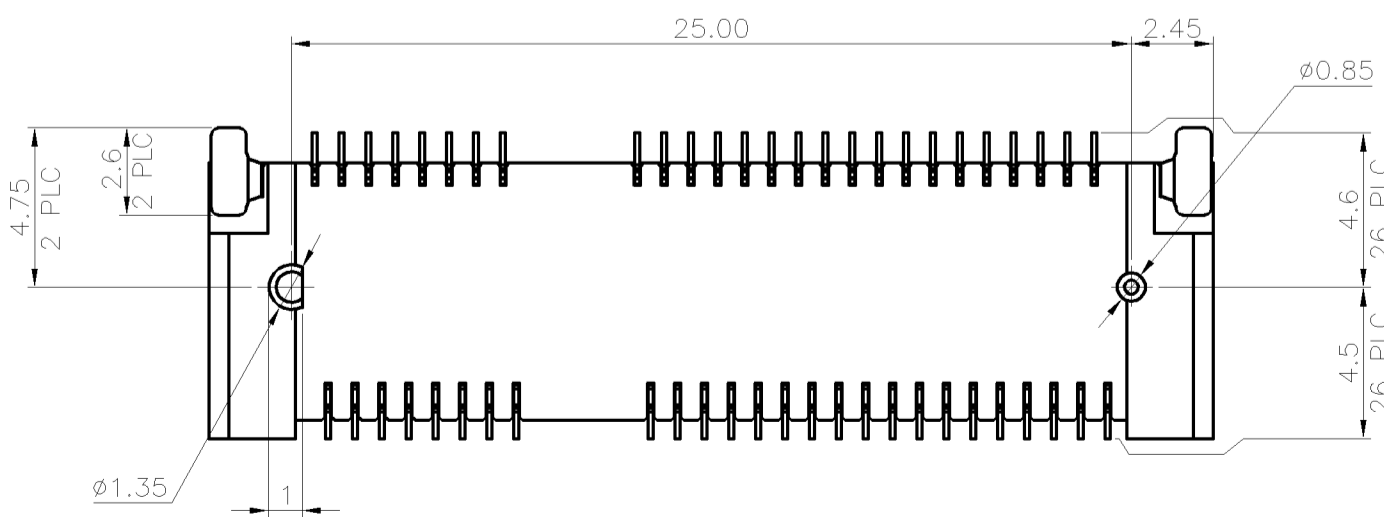
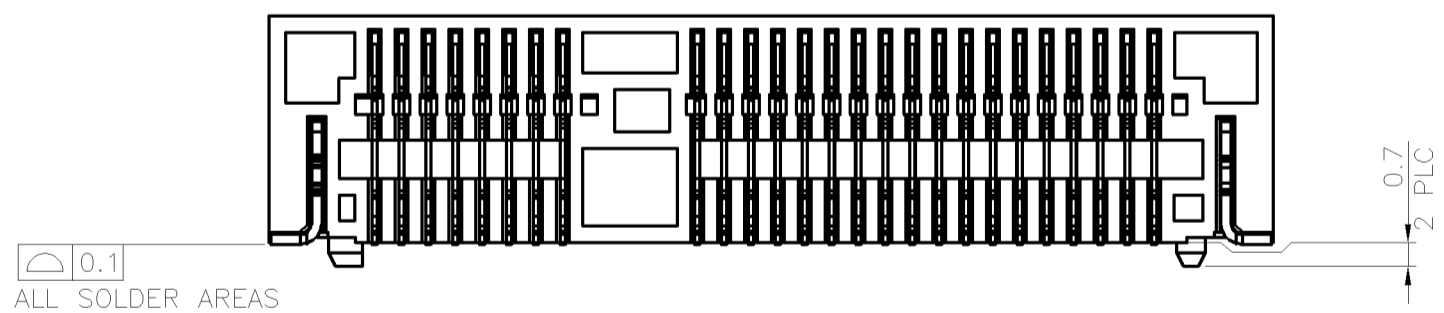
MECHANICAL KEY			
15	GND	16	UIM_VPP
13	REFCLK+	14	UIM_RESET
11	REFCLK-	12	UIM_CLK
9	GND	10	UIM_DATA
7	CLKREQ#	8	UIM_PWR
5	COEX2	6	1.5V
3	COEX1	4	GND
1	WAKE#	2	3.3Vaux

* Reserved for future UIM interface (if needed)

mSATA CONNECTOR SIGNAL ASSIGNMENTS

PIN#	NAME	PIN#	NAME
51	Presence Defection	52	+3.3V
49	DA/DSS	50	GND
47	Vendor	48	+1.5V
45	Vendor	46	Reserved
43	No Connect	44	Reserved
41	+3.3V	42	Reserved
39	+3.3V	40	GND
37	GND	38	Reserved
35	GND	36	Reserved
33	+A	34	GND
31	-A	32	Two Wire Interface
29	GND	30	Two Wire Interface
27	GND	28	+1.5V
25	-B	26	GND
23	+B	24	+3.3V
21	GND	22	Reserved
19	Reserved	20	Reserved
17	Reserved	18	GND

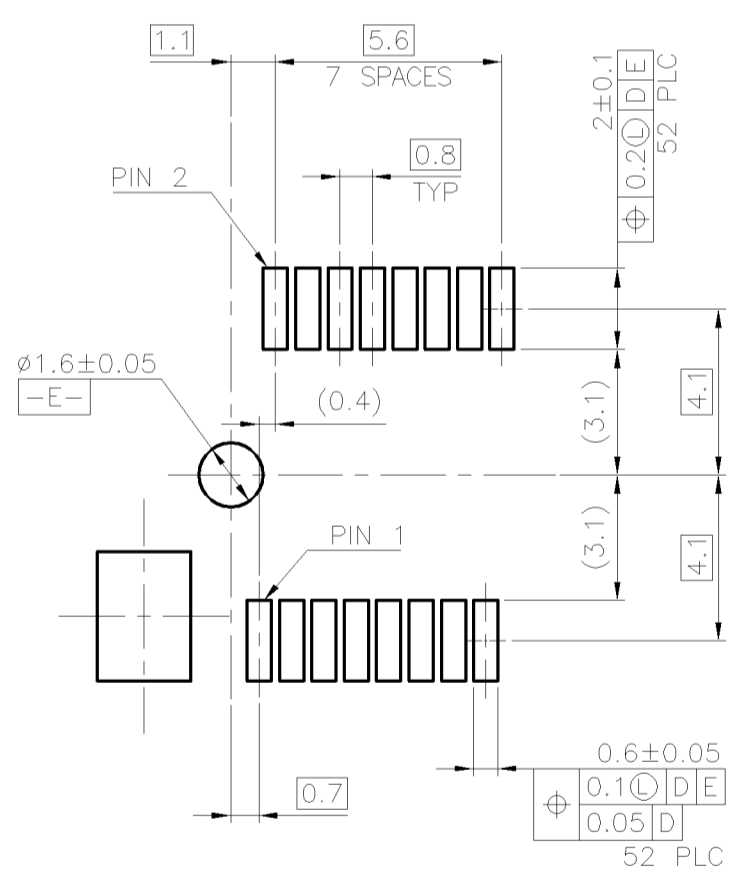
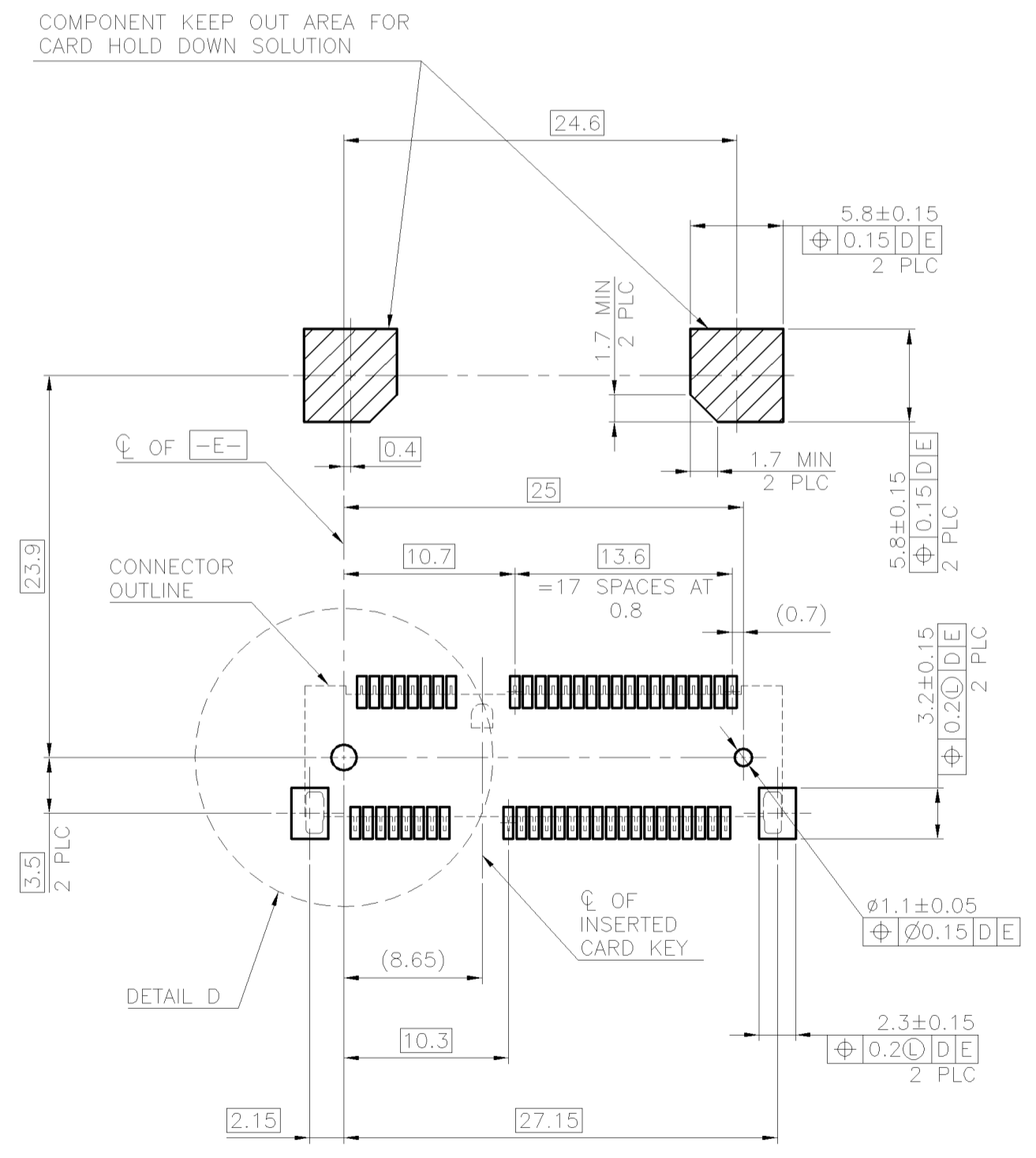
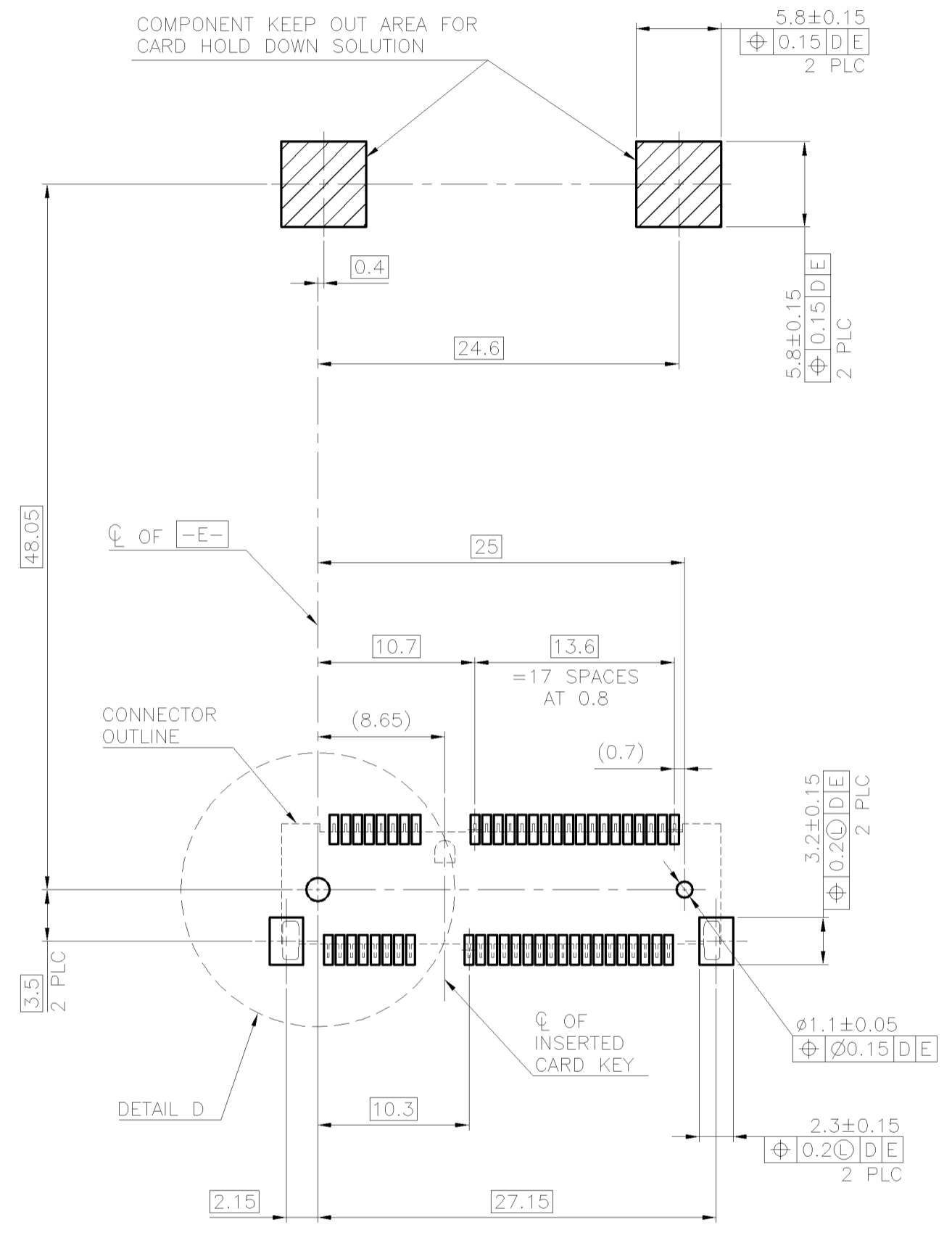
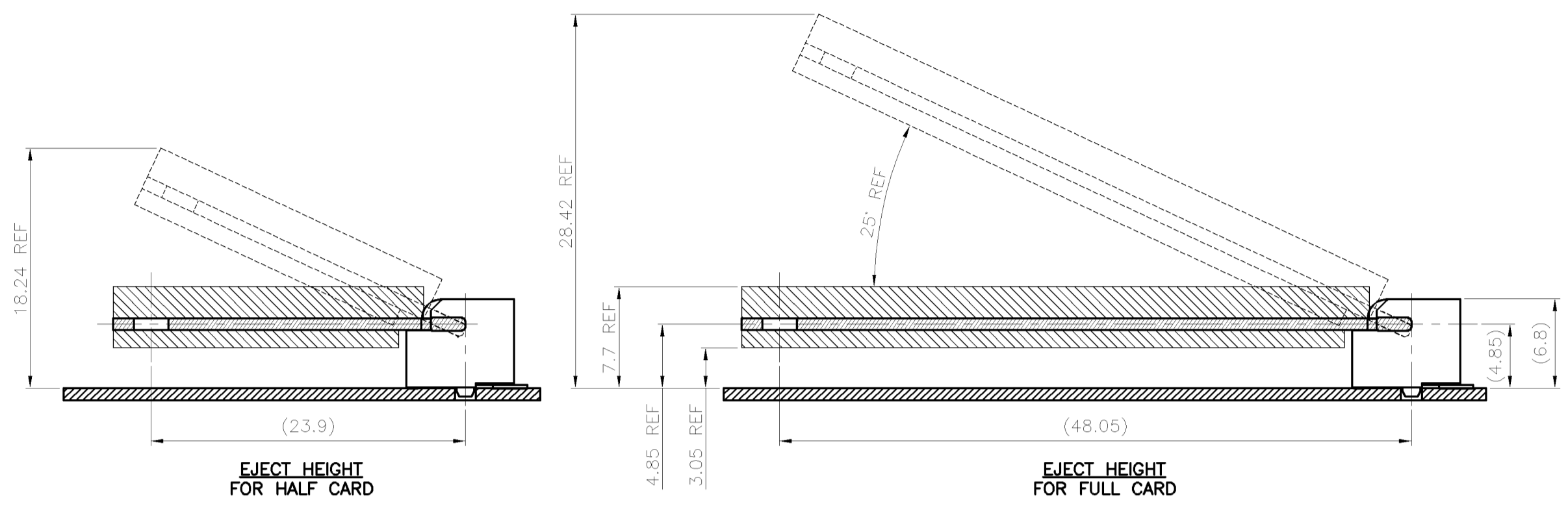
MECHANICAL KEY			
15	GND	16	Reserved
13	Reserved	14	Reserved
11	Reserved	12	Reserved
9	GND	10	Reserved
7	Reserved	8	Reserved
5	Reserved	6	+1.5V
3	Reserved	4	GND
1	Reserved	2	+3.3V



THIS DRAWING IS A CONTROLLED DOCUMENT.		DWN A. WU 10MAY2010		
DIMENSIONS: MM		CHK S. CHIEN 10MAY2010		
TOLERANCES UNLESS OTHERWISE SPECIFIED:		APVD W. KODAMA 10MAY2010	NAME	
0 PLC ± -		PRODUCT SPEC	2 IN 1 mSATA & PCI EXPRESS MINI CARD CONNECTOR, 6.8 MM HEIGHT	
1 PLC ±0.3		APPLICATION SPEC	SIZE	CAGE CODE
2 PLC ±0.2		108-99102	DRAWING NO	RESTRICTED TO
3 PLC ± -			A2	00779
4 PLC ± -			C=2041262	
ANGLES ±3°		WEIGHT	SCALE	
MATERIAL SEE NOTE		2.22 GRAMS	SHEET 1 OF 5	
FINISH SEE NOTE		CUSTOMER DRAWING	REV C	

THIS DRAWING IS UNPUBLISHED. RELEASED FOR PUBLICATION
 © COPYRIGHT 2011 BY TE CONNECTIVITY. ALL RIGHTS RESERVED.

LOC		DIST		REVISIONS			
P	LTR	DATE	DWN	APVD	DESCRIPTION		
					SEE SHEET 1		



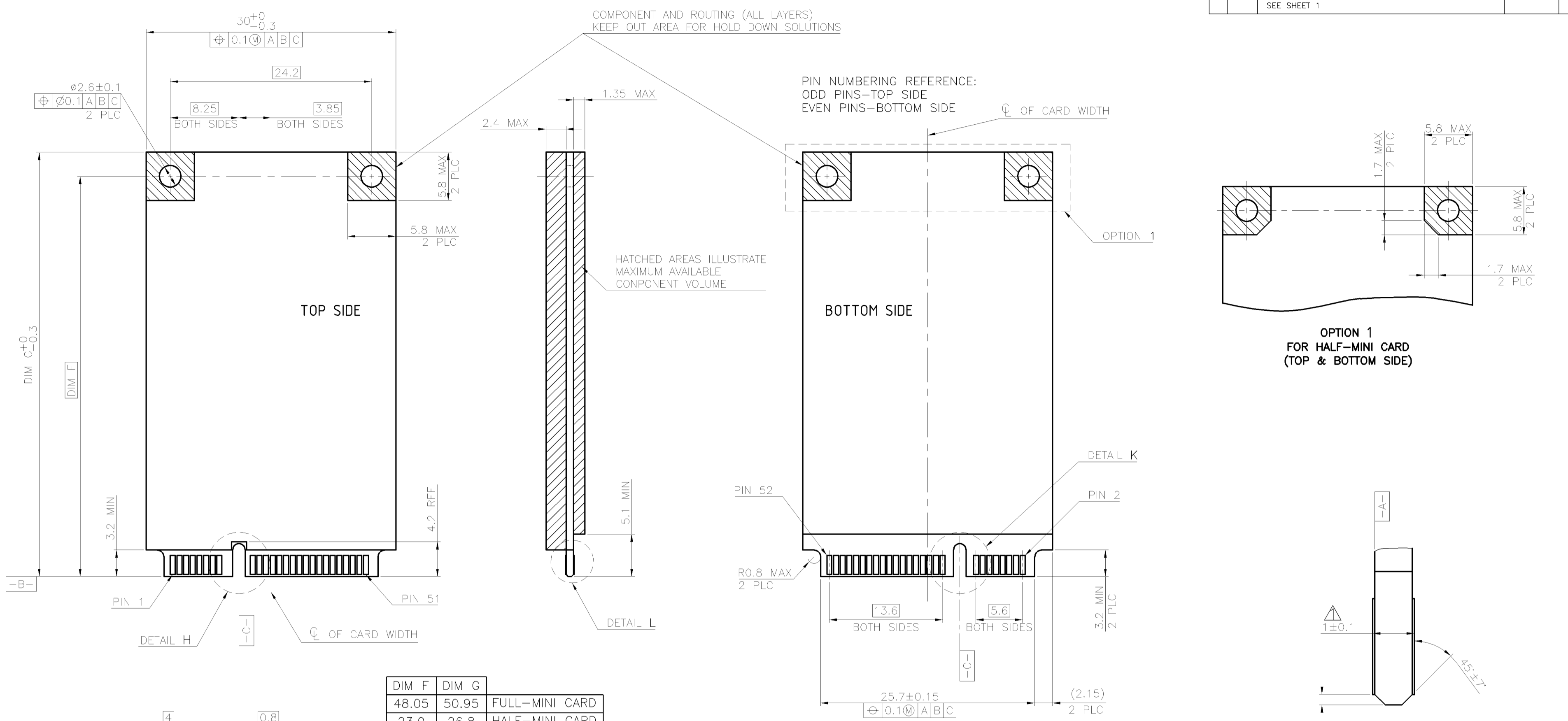
-D- IS THE TOP SURFACE OF PCB.
 RECOMMENDED P.C. BOARD PATTERN LAYOUT FOR FULL CARD CONNECTOR (TOP VIEW)

-D- IS THE TOP SURFACE OF PCB.
 RECOMMENDED P.C. BOARD PATTERN LAYOUT FOR HALF CARD CONNECTOR (TOP VIEW)

THIS DRAWING IS A CONTROLLED DOCUMENT.		DWN A. WU 10MAY2010	TE Connectivity	
DIMENSIONS: MM		CHK S. CHIEN 10MAY2010	NAME	
TOLERANCES UNLESS OTHERWISE SPECIFIED:		APVD W. KODAMA 10MAY2010	2 IN 1 mSATA & PCI EXPRESS MINI CARD CONNECTOR, 6.8 MM HEIGHT	
0 PLC ±	1 PLC ±	PRODUCT SPEC	SIZE	CAGE CODE
2 PLC ±	3 PLC ±	APPLICATION SPEC	A2	00779
4 PLC ±	ANGLES ±	WEIGHT	DRAWING NO. C=2041262	
MATERIAL	FINISH	CUSTOMER DRAWING	SCALE	SHEET 2 OF 5
				REV C

THIS DRAWING IS UNPUBLISHED. RELEASED FOR PUBLICATION
 © COPYRIGHT 2011 BY TE CONNECTIVITY. ALL RIGHTS RESERVED.

LOC		DIST		REVISIONS			
P	LTR	DESCRIPTION	DATE	DWN	APVD		
SEE SHEET 1							

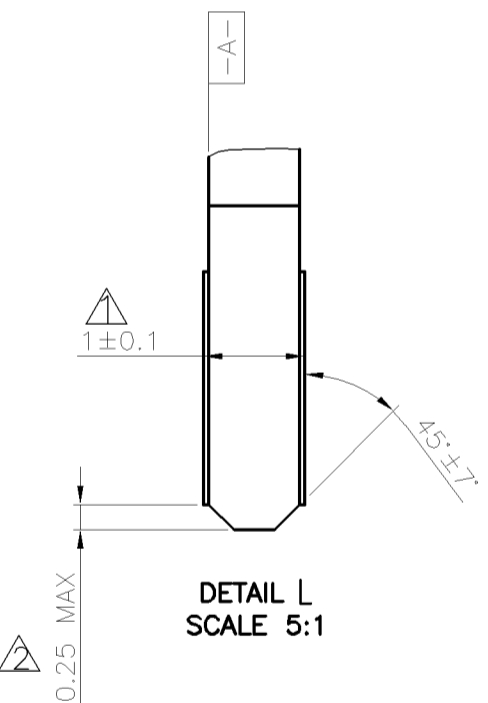
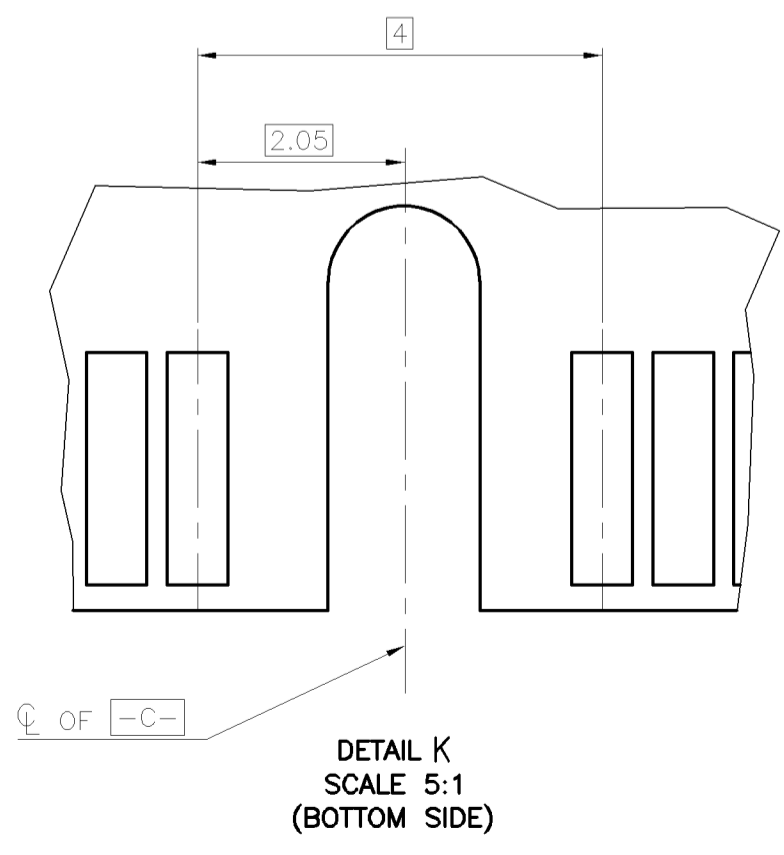
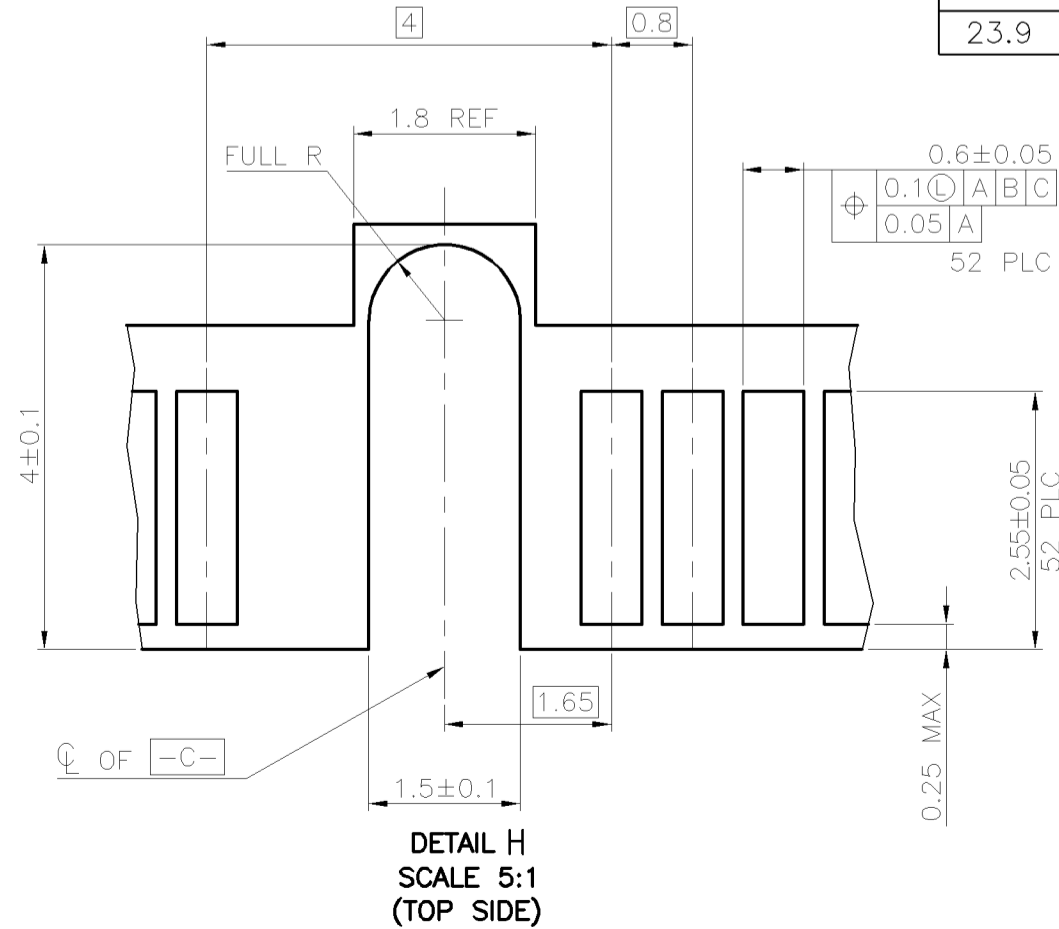


DIM F	DIM G	
48.05	50.95	FULL-MINI CARD
23.9	26.8	HALF-MINI CARD

OPTION 1
 FOR HALF-MINI CARD
 (TOP & BOTTOM SIDE)

- NOTES:
- ▲ CARD THICKNESS APPLIES ACROSS TABS AND INCLUDES PLATING AND/OR METALLIZATION.
 - ▲ EDGE BEVEL MUST BE PRESENT AND FREE OF CUTTING BURRS FROM PCB AND CONTACT MATERIALS.

FOR PCI EXPRESS MINI CARD

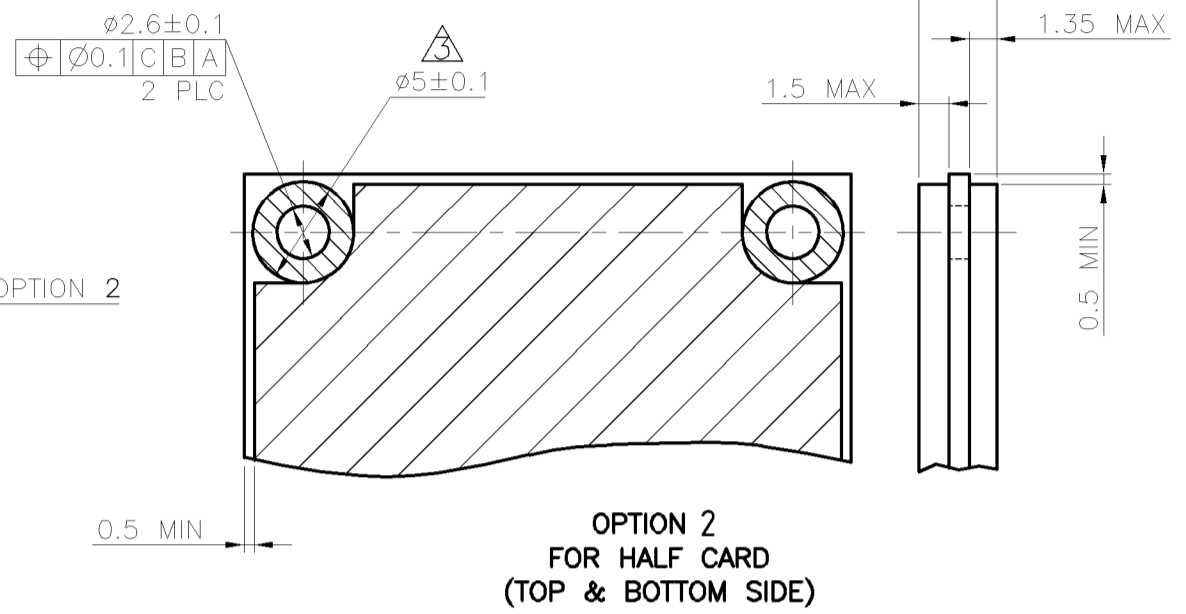
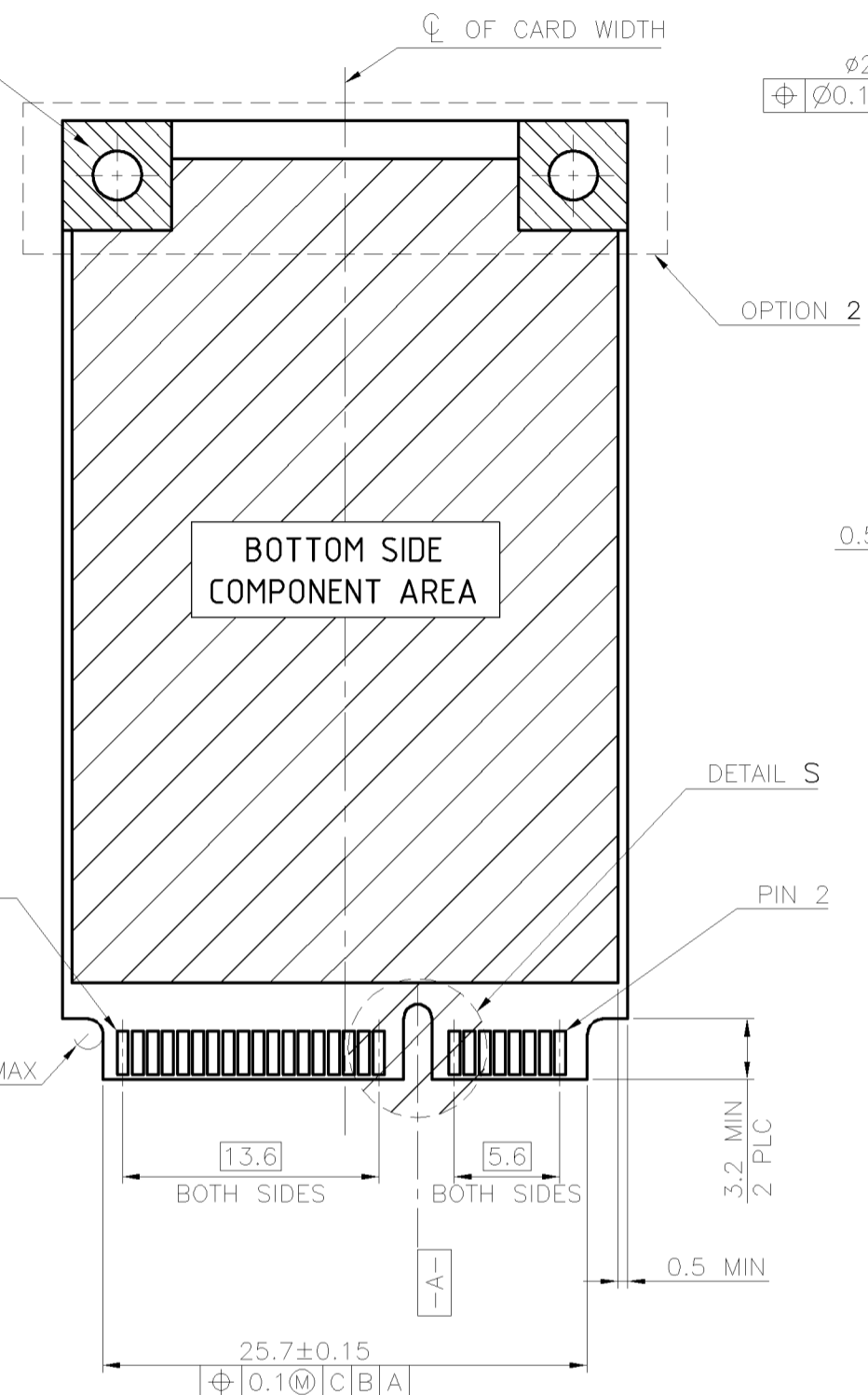
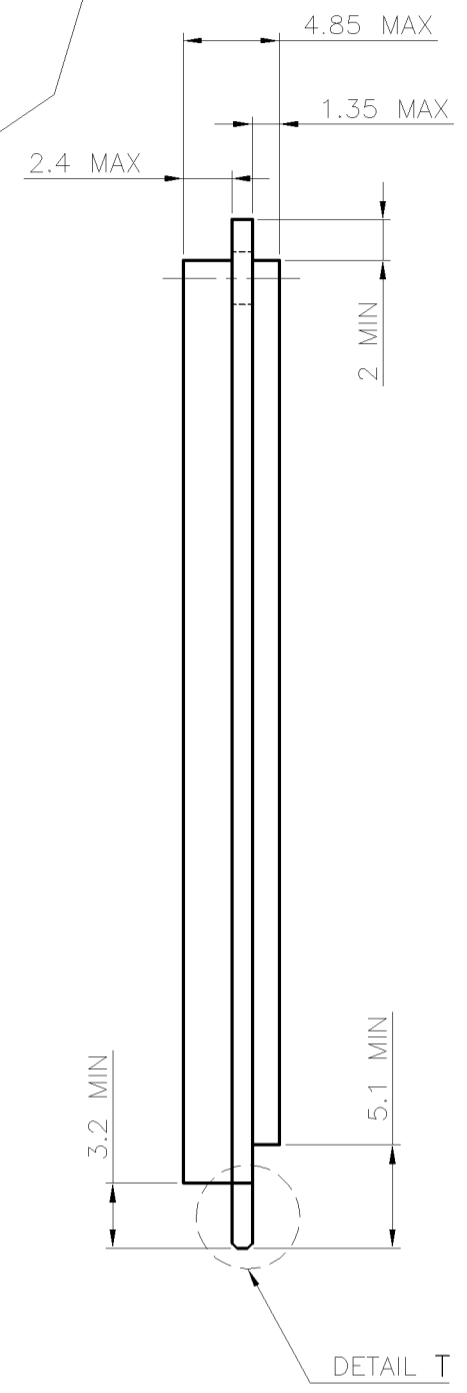
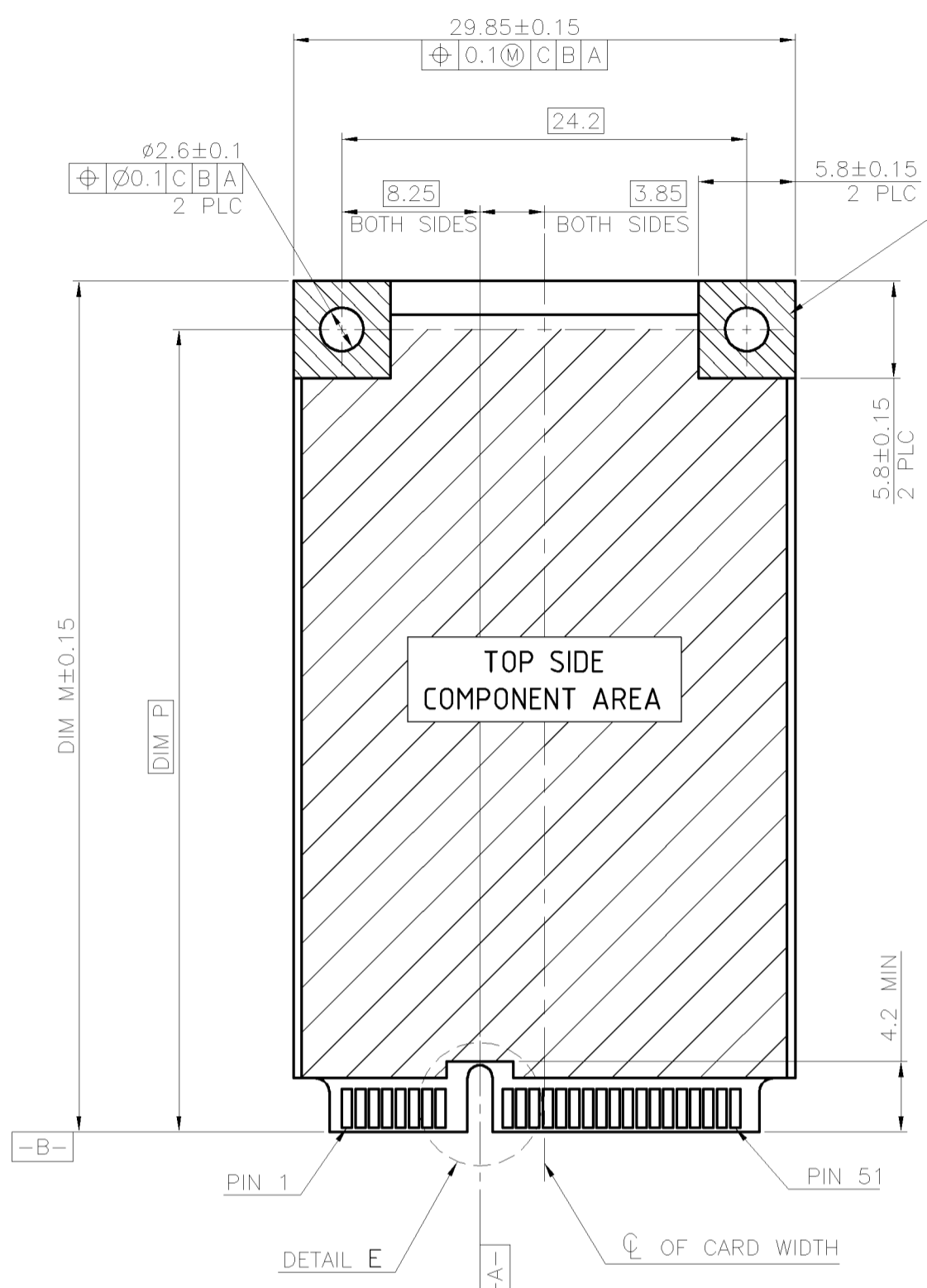


THIS DRAWING IS A CONTROLLED DOCUMENT.		DWN A. WU 10MAY2010	TE Connectivity	
DIMENSIONS: MM		CHK S. CHIEN 10MAY2010		
TOLERANCES UNLESS OTHERWISE SPECIFIED:		APVD W. KODAMA 10MAY2010	NAME 2 IN 1 mSATA & PCI EXPRESS MINI CARD CONNECTOR, 6.8 MM HEIGHT	
0 PLC ±	1 PLC ±	PRODUCT SPEC	SIZE A2	CAGE CODE 00779
2 PLC ±	3 PLC ±	APPLICATION SPEC	DRAWING NO C=2041262	RESTRICTED TO
4 PLC ±	ANGLES ±	WEIGHT	SCALE	SHEET 3 OF 5
MATERIAL	FINISH	CUSTOMER DRAWING	REV C	

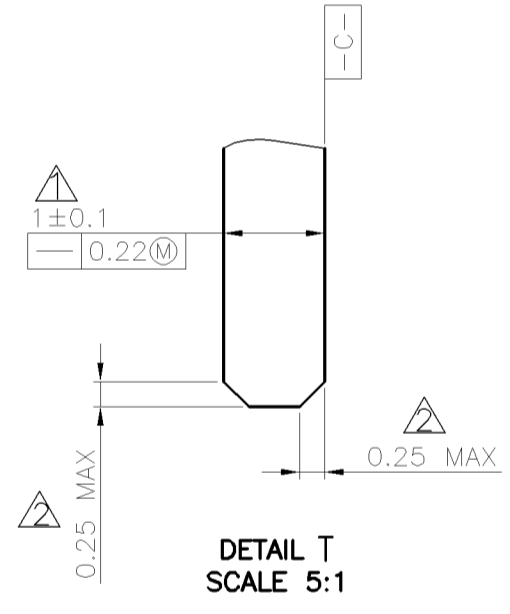
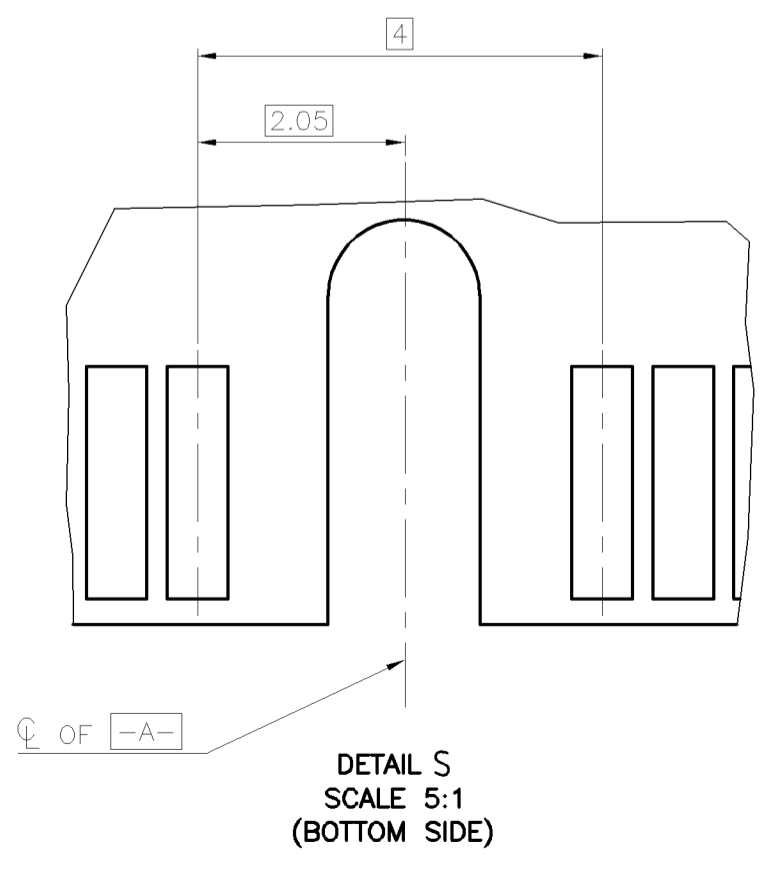
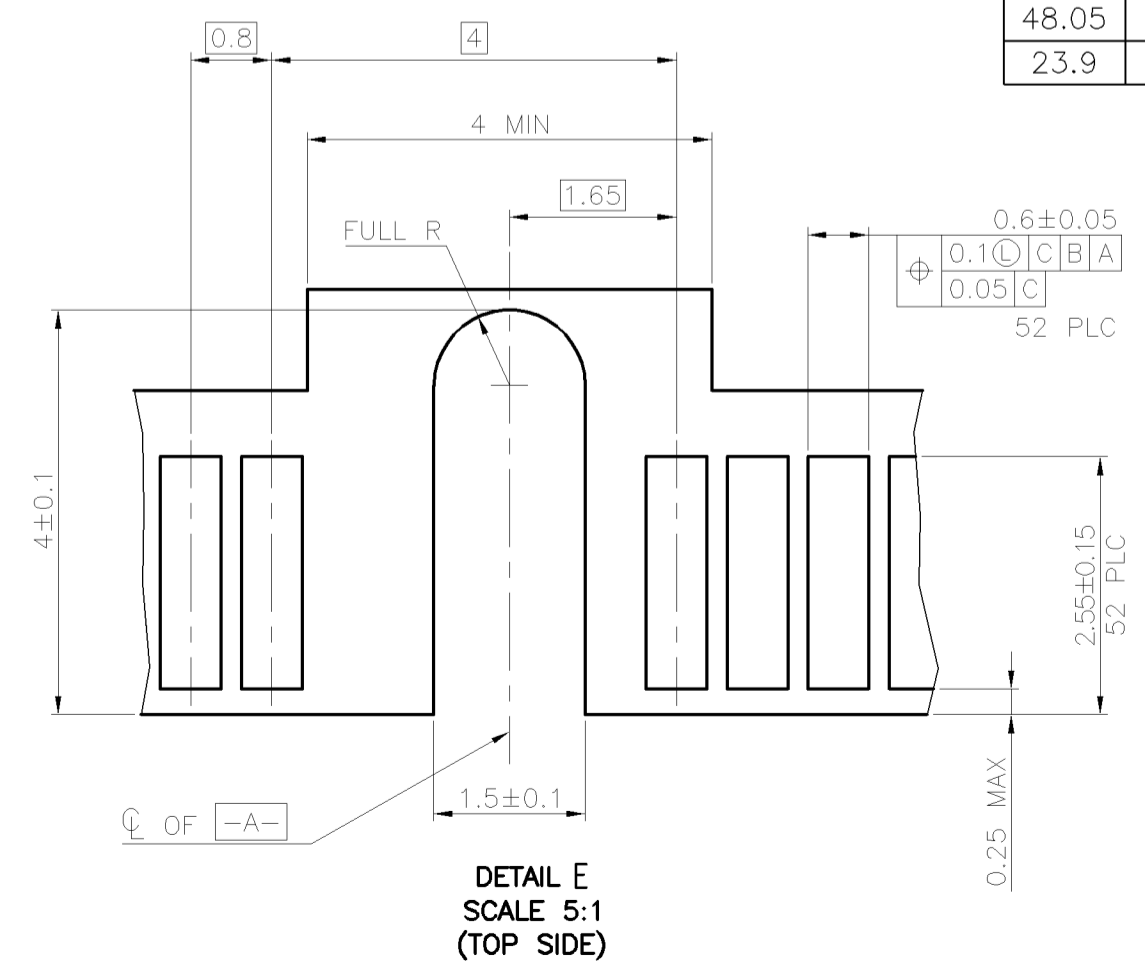
THIS DRAWING IS UNPUBLISHED. RELEASED FOR PUBLICATION
 © COPYRIGHT 2011 BY TE CONNECTIVITY. ALL RIGHTS RESERVED.

LOC		DIST		REVISIONS			
P	LTR	DESCRIPTION	DATE	DWN	APVD		
DW	-	SEE SHEET 1					

COMPONENT AND ROUTING (ALL LAYERS)
 KEEP OUT AREA FOR HOLD DOWN SOLUTIONS



DIM P	DIM M	
48.05	50.8	FULL CARD
23.9	26.8	HALF CARD



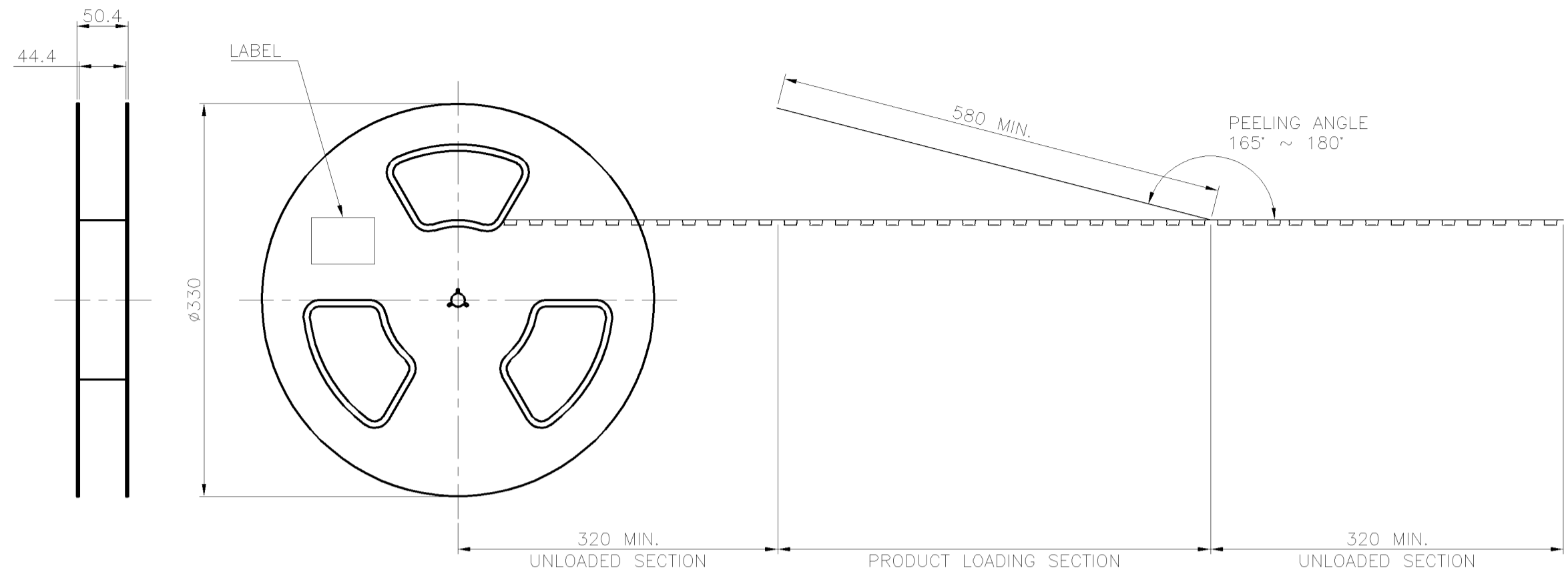
- NOTES:
- CARD THICKNESS APPLIES ACROSS TABS AND INCLUDES PLATING AND/OR METALLIZATION.
 - EDGE BEVEL MUST BE PRESENT AND FREE OF CUTTING BURRS FROM PCB AND CONTACT MATERIALS.
 - COMPONENT AND ROUTING (TOP/BOTTOM LAYER) KEEP OUT AREA FOR HOLD DOWN SOLUTIONS.

FOR mSATA

THIS DRAWING IS A CONTROLLED DOCUMENT.		DWN A. WU	29MAR2011	TE Connectivity	
DIMENSIONS: MM		CHK S. CHIEN	29MAR2011		
TOLERANCES UNLESS OTHERWISE SPECIFIED:		APVD W. KODAMA	29MAR2011	NAME	
0 PLC	±	PRODUCT SPEC		2 IN 1 mSATA & PCI EXPRESS MINI CARD CONNECTOR, 6.8 MM HEIGHT	
1 PLC	±	APPLICATION SPEC		SIZE	A2
2 PLC	±	WEIGHT		CAGE CODE	00779
3 PLC	±	CUSTOMER DRAWING		DRAWING NO	C=2041262
4 PLC	±	SCALE		SHEET	4 OF 5
ANGLES	±	REV		C	

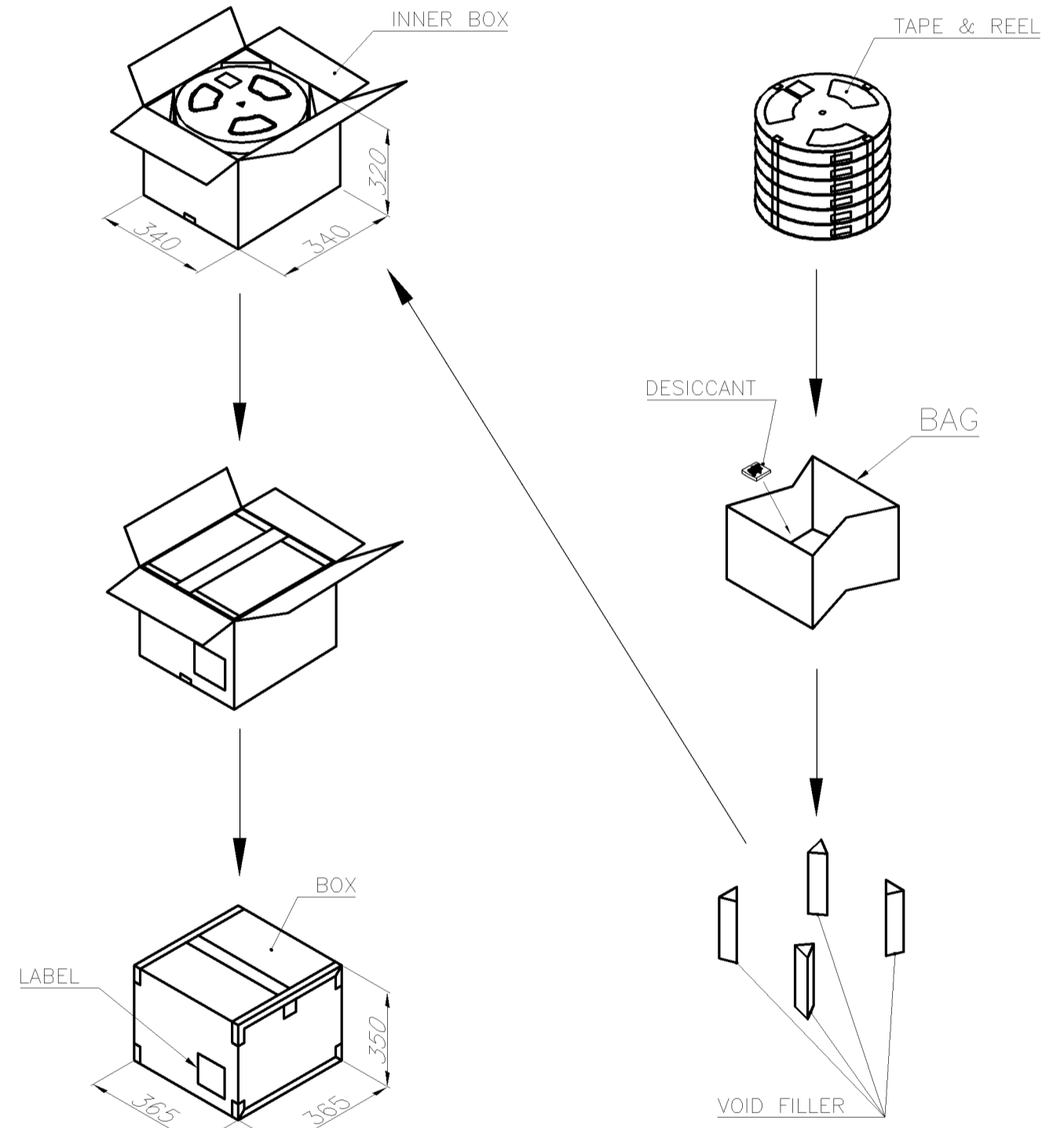
THIS DRAWING IS UNPUBLISHED. RELEASED FOR PUBLICATION
 © COPYRIGHT 2011 BY TE CONNECTIVITY. ALL RIGHTS RESERVED.

LOC	DIST	REVISIONS			
P	LTR	DESCRIPTION	DATE	DWN	APVD
DW	-	SEE SHEET 1			

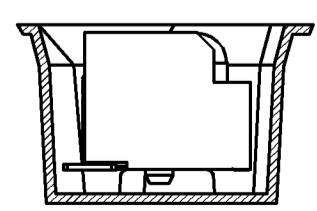
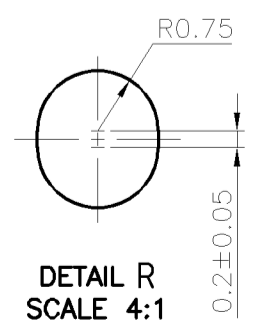
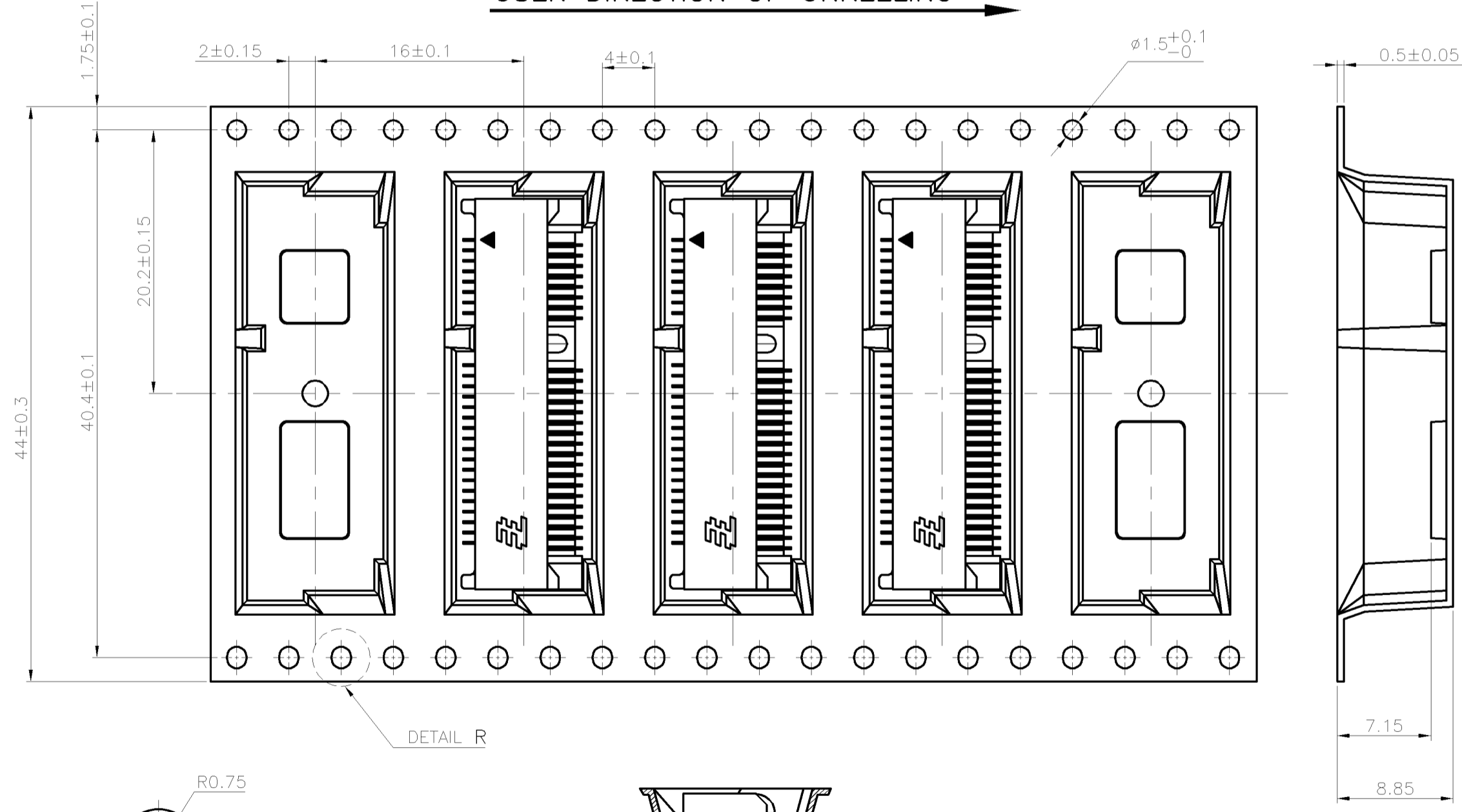


NOTES:

- MATERIAL:
 BOX: FIBREBOARD, CORRUGATED, DOUBLE WALL.
 COVER TAPE: POLYSTYRENES, 120°C HEAT-RESISTANT TEMPERATURE, TRANSPARENT COLOR.
 CARRIER TAPE: POLYSTYRENES, 120°C HEAT-RESISTANT TEMPERATURE, TRANSPARENT COLOR.
 REEL: HIPS, 70°C HEAT-RESISTANT TEMPERATURE, BLUE COLOR.
 BAG: POLYETHYLENES, 100°C HEAT-RESISTANT TEMPERATURE, TRANSPARENT COLOR.
- EACH BAG SHALL BE INCLUDED DESICCANT.
- PEELING STRENGTH: 0.1 ~ 1.3 N (10 ~ 130 GRAMS).
- PEELING SPEED: 300 mm/min.



USER DIRECTION OF UNREELING →



10.47 Kg	5.75 Kg	450	6	2700
GROSS WEIGHT	NET WEIGHT	PCS/TAPE	REELS /BOX	PCS/BOX

THIS DRAWING IS A CONTROLLED DOCUMENT.		DWN	A. WU	10MAY2010	TE Connectivity
DIMENSIONS: MM		CHK	S. CHIEN	10MAY2010	
TOLERANCES UNLESS OTHERWISE SPECIFIED:		APVD	W. KODAMA	10MAY2010	
0 PLC ± 1 PLC ± 2 PLC ± 3 PLC ± 4 PLC ± ANGLES ±		PRODUCT SPEC	NAME		
MATERIAL		FINISH	WEIGHT		2 IN 1 mSATA & PCI EXPRESS MINI CARD CONNECTOR, 6.8 MM HEIGHT
			CUSTOMER DRAWING	SCALE	RESTRICTED TO
				A2 00779 C=2041262	
				5 of 5	REV C