



Chipsmall Limited consists of a professional team with an average of over 10 year of expertise in the distribution of electronic components. Based in Hongkong, we have already established firm and mutual-benefit business relationships with customers from,Europe,America and south Asia,supplying obsolete and hard-to-find components to meet their specific needs.

With the principle of "Quality Parts,Customers Priority,Honest Operation,and Considerate Service",our business mainly focus on the distribution of electronic components. Line cards we deal with include Microchip,ALPS,ROHM,Xilinx,Pulse,ON,Everlight and Freescale. Main products comprise IC,Modules,Potentiometer,IC Socket,Relay,Connector.Our parts cover such applications as commercial,industrial, and automotives areas.

We are looking forward to setting up business relationship with you and hope to provide you with the best service and solution. Let us make a better world for our industry!



Contact us

Tel: +86-755-8981 8866 Fax: +86-755-8427 6832

Email & Skype: info@chipsmall.com Web: www.chipsmall.com

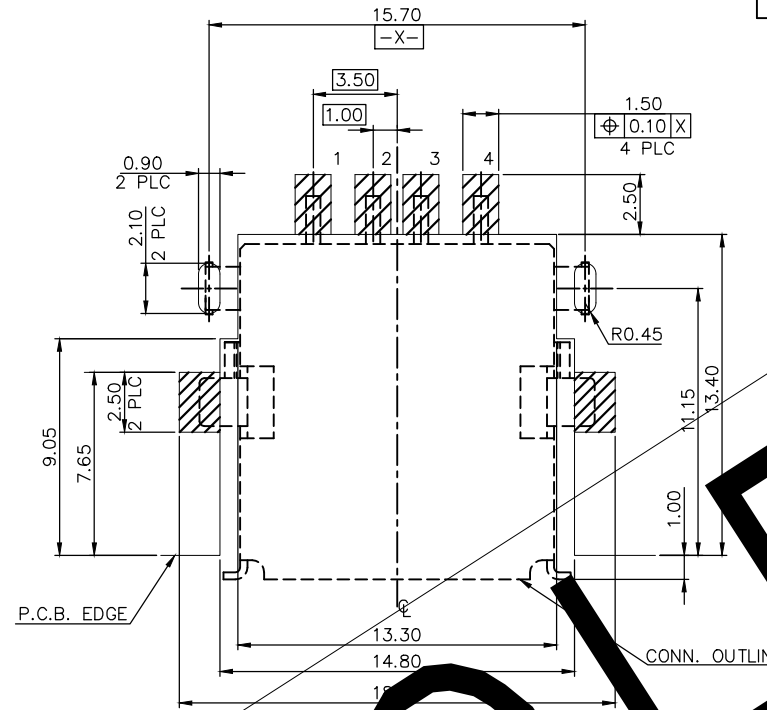
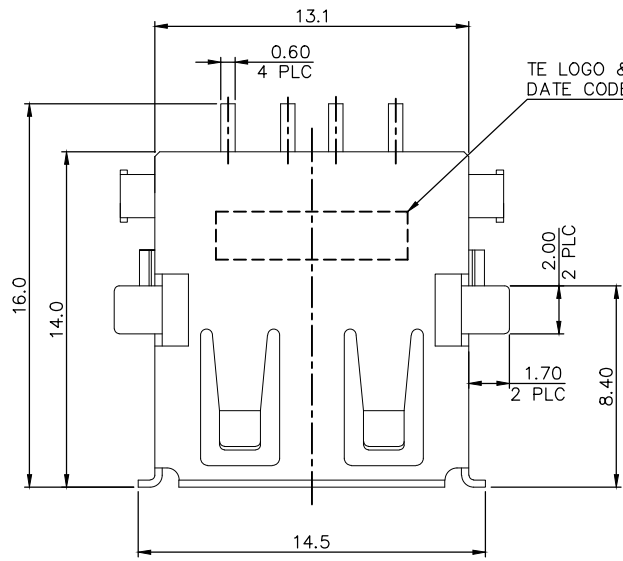
Address: A1208, Overseas Decoration Building, #122 Zhenhua RD., Futian, Shenzhen, China



THIS DRAWING IS UNPUBLISHED. RELEASED FOR PUBLICATION AUG .2006.

© COPYRIGHT - BY TYCO ELECTRONICS CORPORATION. ALL RIGHTS RESERVED.

LOC		DIST		REVISIONS			
P	LTR	DESCRIPTION		DATE	DWN	APVD	
	B2	REVISE		11MAR2016	A.X	H.W	

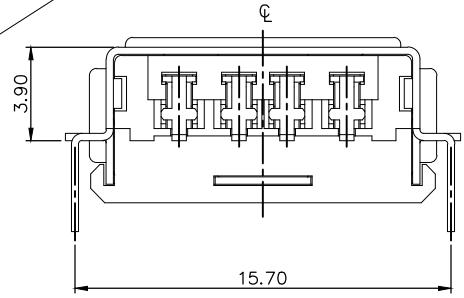
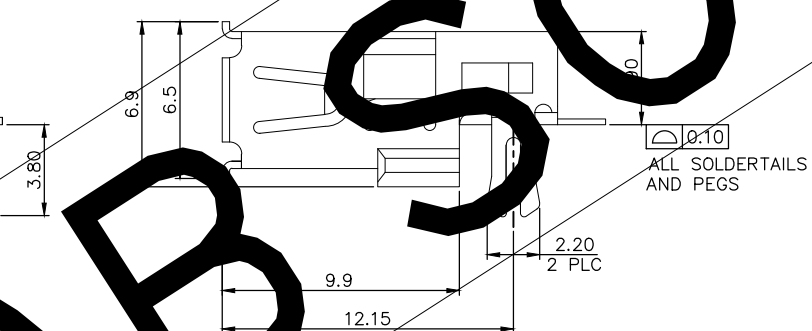
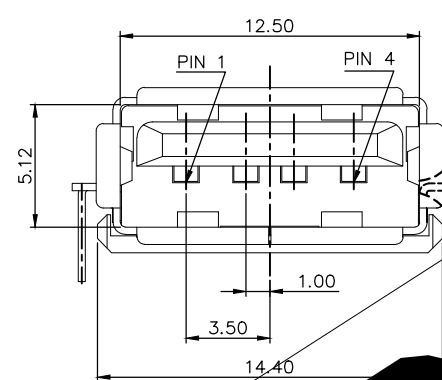


NOTE:
 1. MATERIAL:
 HOUSING: PA9T WITH 30%GF, UL 94V-0, BLACK COLOR.
 CONTACT: PHOSPHOR BRONZE.
 SHELL: BRASS.
 2. FINISH:
 CONTACT: 0.762µm [30µ" MIN. GOLD PLATING ON CONTACT AREA,
 2.54µm [100µ" MIN. BRIGHT TIN PLATING ON SOLDERTAILS,
 1.27µm [50µ" MIN. NICKEL UNDERPLATING OVERALL.
 SHELL: 0.762µm [30µ" MIN. GOLD PLATING OVERALL.
 3. REFLOW SOLDER CAPABLE TO 260°C PER TE SPEC 109-201,
 CONDIT...

OBVIOUSLY

RECOMMEND P.C.B LAYOUT (THICKNESS 3.0mm)
 (COMPONENT SIDE TOLERANCE ± 0.5)

RECOMMENDED MOUNT DIMENSION



TAPE & REEL	2041335-1
PACKAGE	PART NUMBER

THIS DRAWING IS A CONTROLLED DOCUMENT.		DWN	J. CHEN	15FEB2011	Tyco Electronics Corporation Tyco Electronics Taipei, Taiwan	
DIMENSIONS: MM		CHK	S. CHIEN	15FEB2011	NAME	
TOLERANCES UNLESS OTHERWISE SPECIFIED:		APVD	W. KODAMA	15FEB2011	PRODUCT SPEC	
0 PLC ± -		PRODUCT SPEC		108-57505		
1 PLC ± 0.30		APPLICATION SPEC		-		
2 PLC ± 0.20		WEIGHT		1.51 GRAMS		
3 PLC ± -		CUSTOMER DRAWING		-		
4 PLC ± -		SIZE		A3		
ANGLES ± 3°		CAGE CODE		00779		
MATERIAL SEE NOTE		DRAWING NO		C=2041335		
FINISH SEE NOTE		RESTRICTED TO		-		
		SCALE		-		
		SHEET		1 OF 2		
		REV		B2		

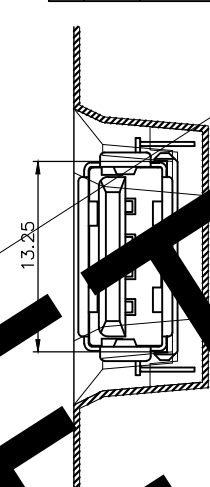
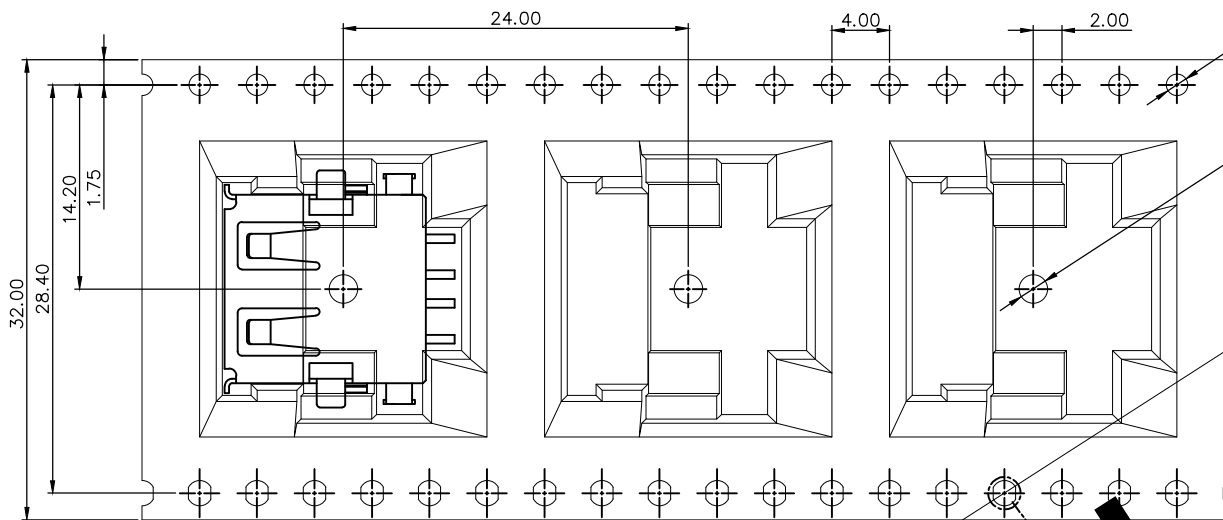
THIS DRAWING IS UNPUBLISHED. RELEASED FOR PUBLICATION AUG .2006.

© COPYRIGHT BY TYCO ELECTRONICS CORPORATION. ALL RIGHTS RESERVED.

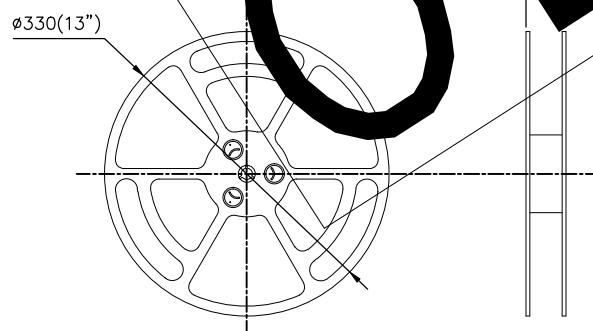
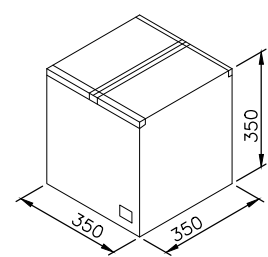
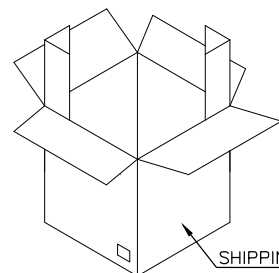
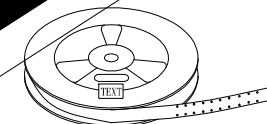
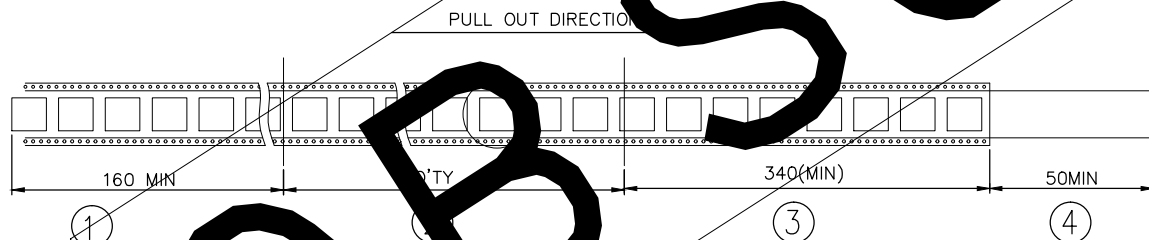
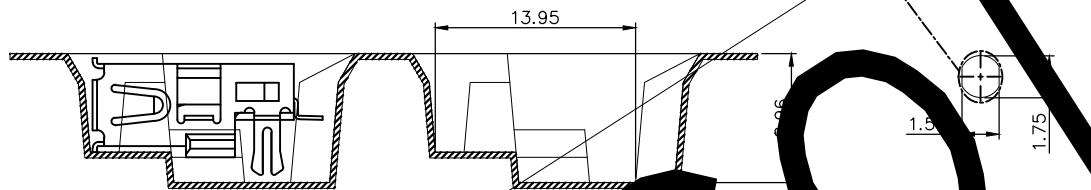
LOC DW DIST

REVISIONS

P	LTR	DESCRIPTION	DATE	DWN	APVD
		SEE SHEET 1.			



NOTE:
 1. PEELING FORCE : 10gf~130gf (for 12mm~56mm)
 2. PEELING SPEED : 300mm/MNUTES



8.50Kg	3.40Kg	250	9	2250 PCS	2041335-1
GROSS WEIGHT	NET WEIGHT	PCS/REEL	REELS/CARTON	QUANTITY	PART NUMBER

Tyco Electronics Tyco Electronics Corporation
 Taipei, Taiwan

NAME: USB CONNECTOR, RECEPTACLE
 4 POSITION, SERIES A

SIZE	CAGE CODE	DRAWING NO	RESTRICTED TO
A3	00779	C=2041335	

THIS DRAWING IS A CONTROLLED DOCUMENT.

DIMENSIONS: MM	TOLERANCES UNLESS OTHERWISE SPECIFIED:
	0 PLC ± -
	1 PLC ± -
	2 PLC ± -
	3 PLC ± -
	4 PLC ± -
MATERIAL	ANGLES ± -
	FINISH

DWN	CHK	APVD	PRODUCT SPEC	APPLICATION SPEC	WEIGHT	CUSTOMER DRAWING

SCALE	SHEET	REV
-	2 OF 2	B2