



Chipsmall Limited consists of a professional team with an average of over 10 year of expertise in the distribution of electronic components. Based in Hongkong, we have already established firm and mutual-benefit business relationships with customers from,Europe,America and south Asia,supplying obsolete and hard-to-find components to meet their specific needs.

With the principle of “Quality Parts,Customers Priority,Honest Operation,and Considerate Service”,our business mainly focus on the distribution of electronic components. Line cards we deal with include Microchip,ALPS,ROHM,Xilinx,Pulse,ON,Everlight and Freescale. Main products comprise IC,Modules,Potentiometer,IC Socket,Relay,Connector.Our parts cover such applications as commercial,industrial, and automotives areas.

We are looking forward to setting up business relationship with you and hope to provide you with the best service and solution. Let us make a better world for our industry!



Contact us

Tel: +86-755-8981 8866 Fax: +86-755-8427 6832

Email & Skype: info@chipsmall.com Web: www.chipsmall.com

Address: A1208, Overseas Decoration Building, #122 Zhenhua RD., Futian, Shenzhen, China

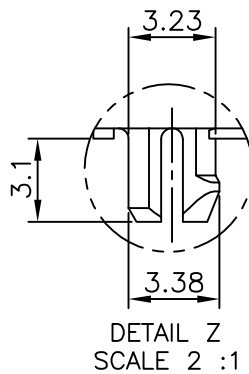
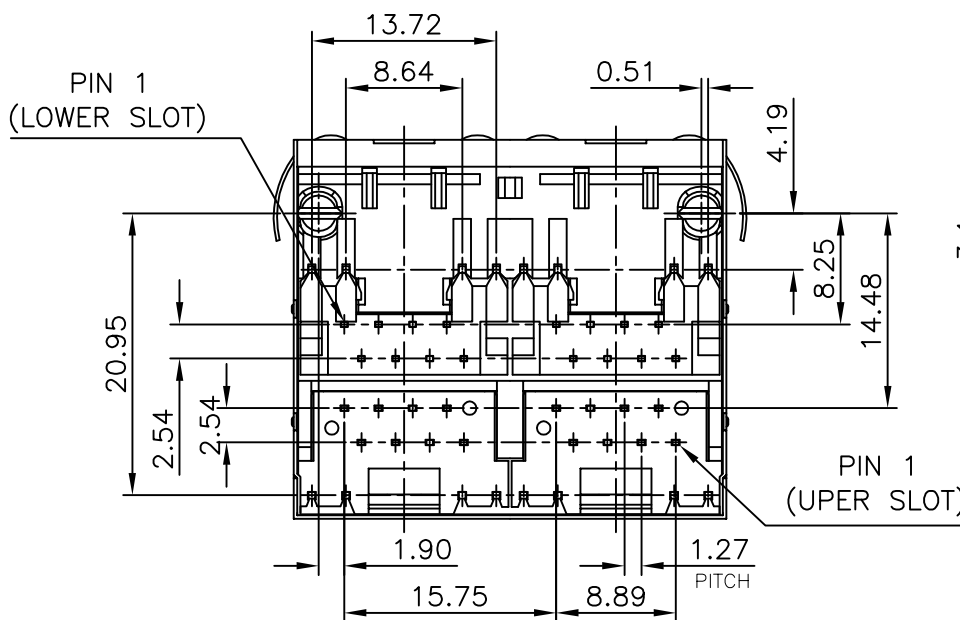
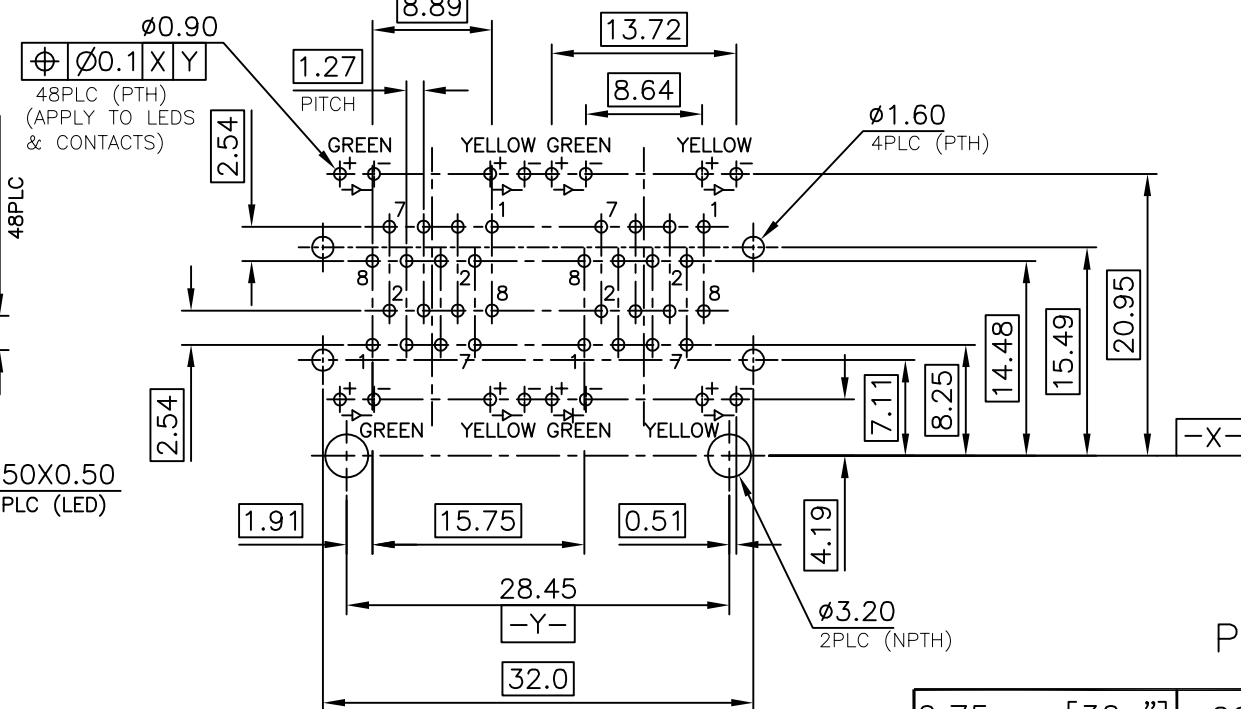
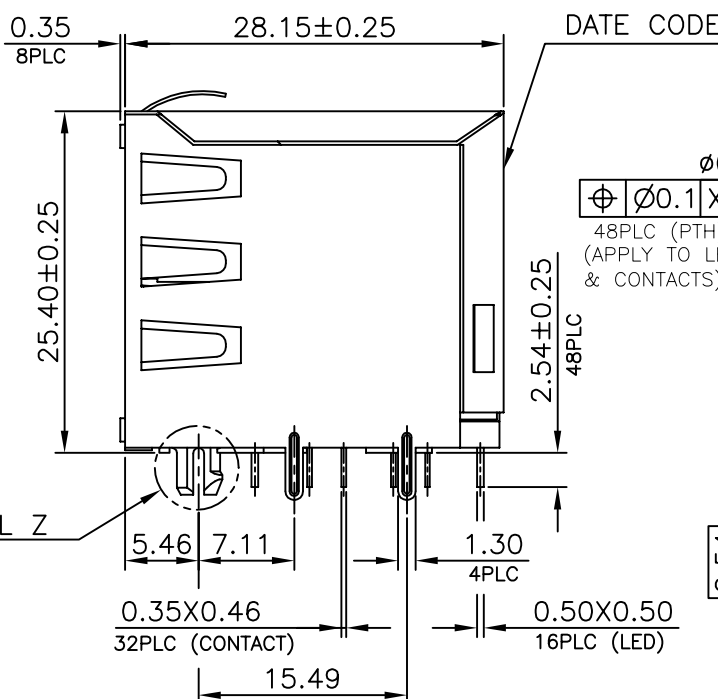
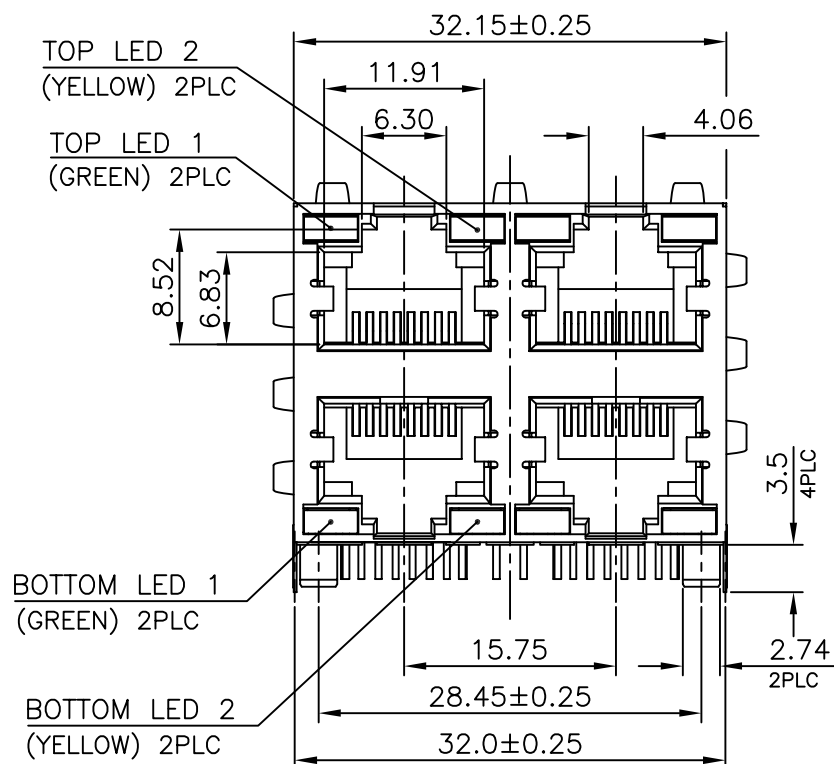
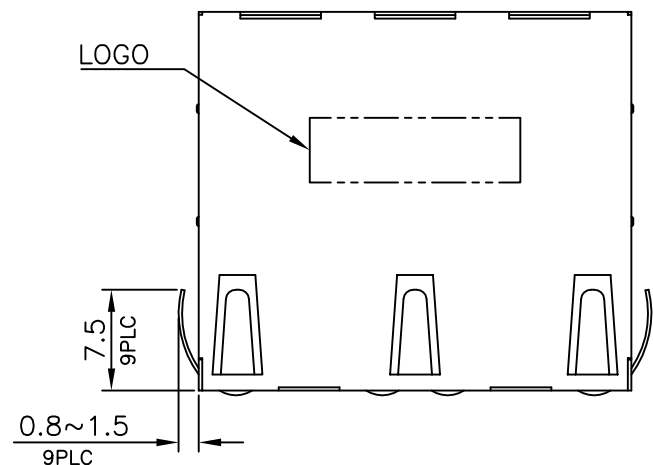
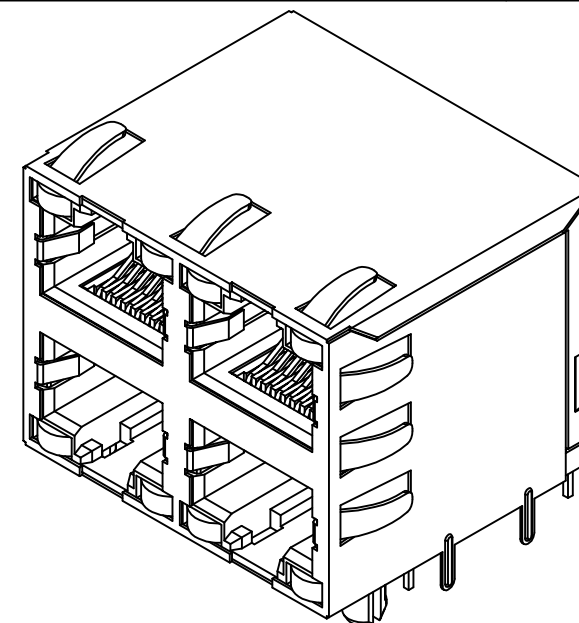


THIS DRAWING IS UNPUBLISHED. RELEASED FOR PUBLICATION
 © COPYRIGHT 2010 BY TYCO ELECTRONICS CORPORATION. ALL RIGHTS RESERVED.

LOC	DIST	REVISIONS					
DW		P	LTR	REVISION RECORD	DATE	DWN	APVD
		B		ECO-13-010807	01JUL'13	C.W.	S.H.

NOTE:

- MATERIAL:
 - HOUSING: PA46, WITH 30% GF, UL94 V-0, BLACK COLOR.
 - CONTACTS: PHOSPHOR BRONZE.
 - SHELL: BRASS.
 - LED SOLDER TAIL: STEEL.
- FINISH:
 - CONTACTS: GOLD PLATING SPEC ON CONTACT AREA PLEASE REFER TO PN SHEET(B1), GOLD FLASH ON SOLDER TAIL, 1.27mm [50µ"] MIN. NICKEL UNDERPLATED OVERALL.
 - SHELL: 0.508mm [20µ"] MIN. NICKEL PLATED.
 - LED SOLDER TAIL: 2.54mm [100µ"] MIN. BRIGHT-TIN PLATED.
- WAVE SOLDER CAPABLE TO 265°C PER TE SPEC. 109-202, CONDITION B.



RECOMMENDED PCB LAYOUT (THICKNESS: 1.6MM)
 (DIMENSION TOLERANCE: 1 PLC: ±0.1, 2 PLC:±0.05)

0.75um [30u"]	2041376-2
0.152um [6u"]	2041376-1
GOLD PLATING	PART NUMBER

THIS DRAWING IS A CONTROLLED DOCUMENT.		DWN	E. LIU	06JUL2011	 TE Connectivity	NAME MODULAR JACK CONNECTOR RJ45 WITH LED, 2X2, SIDE ENTRY, SHIELDED DIP TYPE, H=25.4mm			
DIMENSIONS: mm		CHK	S. CHIEN	06JUL2011					
TOLERANCES UNLESS OTHERWISE SPECIFIED:		APVD	W. KODAMA	06JUL2011					
0 PLC ± - 1 PLC ± 0.3 2 PLC ± 0.2 3 PLC ± 0.15 4 PLC ± - ANGLES ± 3°		PRODUCT SPEC 108-57879 APPLICATION SPEC		SIZE A3			CAGE CODE 00779	DRAWING NO C=2041376	RESTRICTED TO -
MATERIAL SEE NOTE		FINISH SEE NOTE		WEIGHT 27.45 GRAMS	CUSTOMER DRAWING		SCALE -	SHEET 1 OF 2	REV B

4

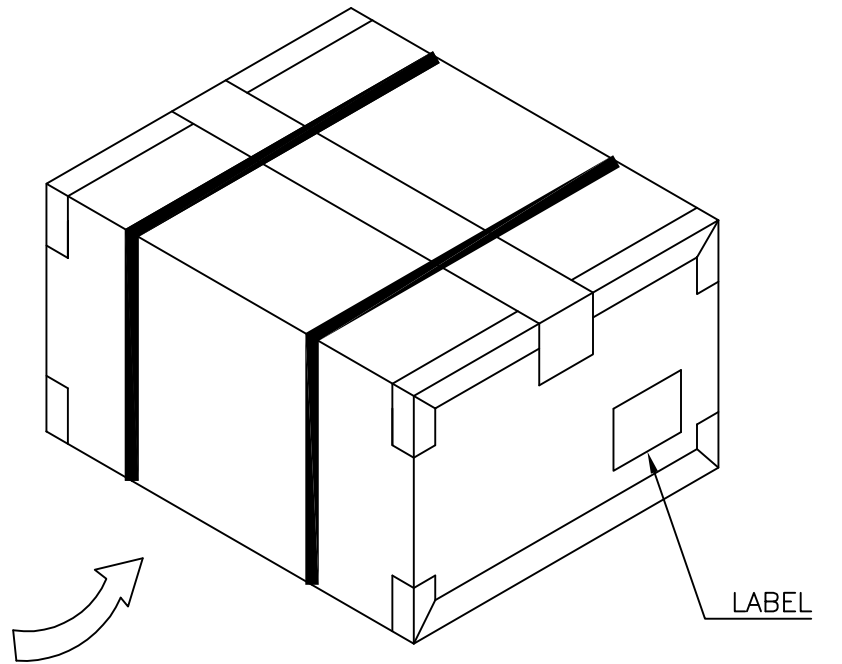
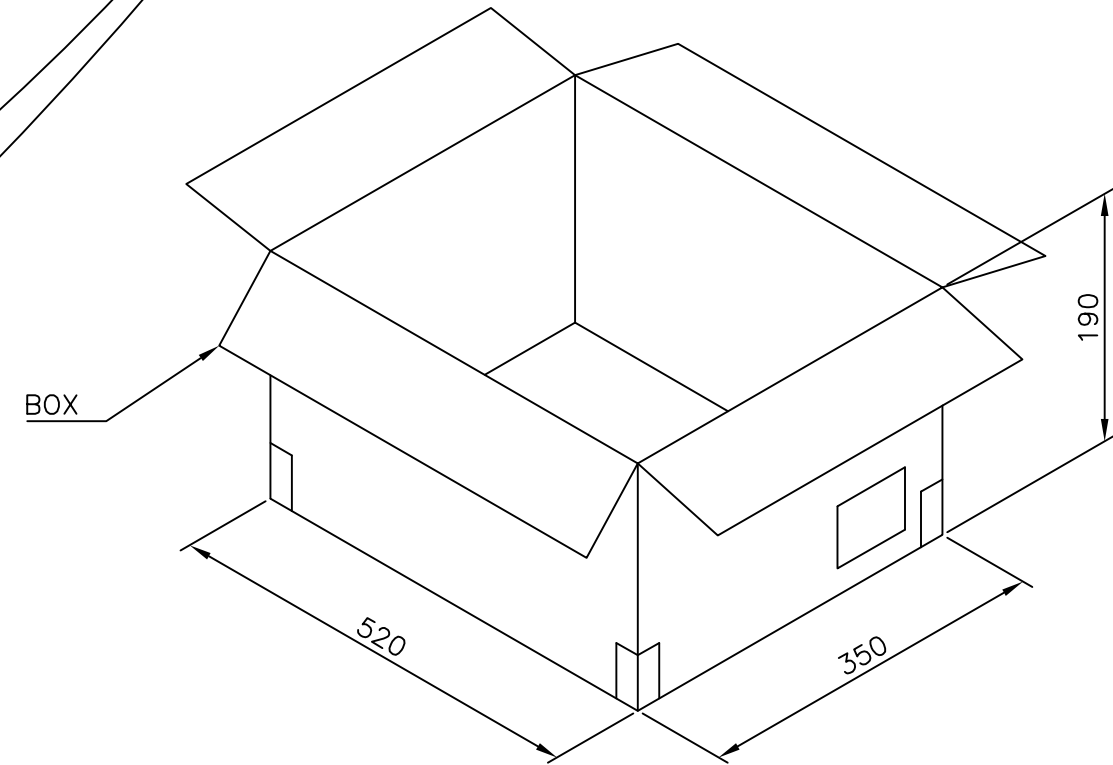
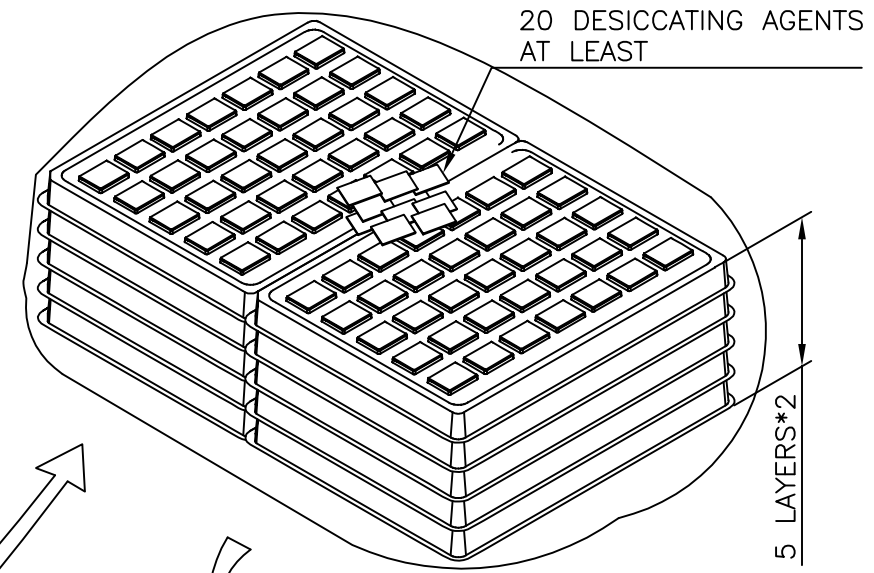
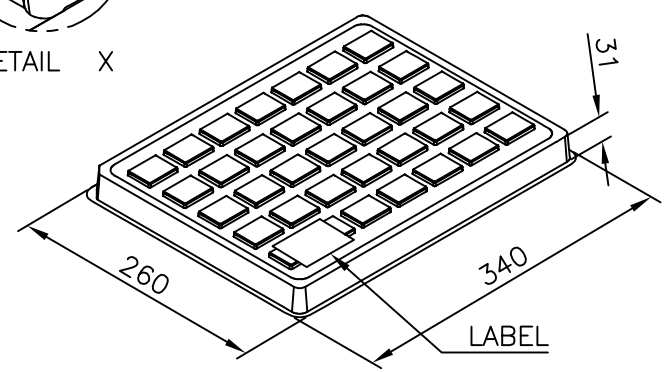
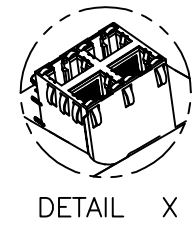
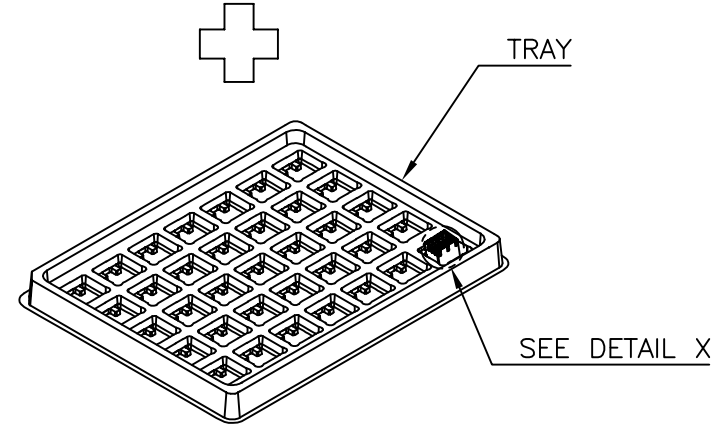
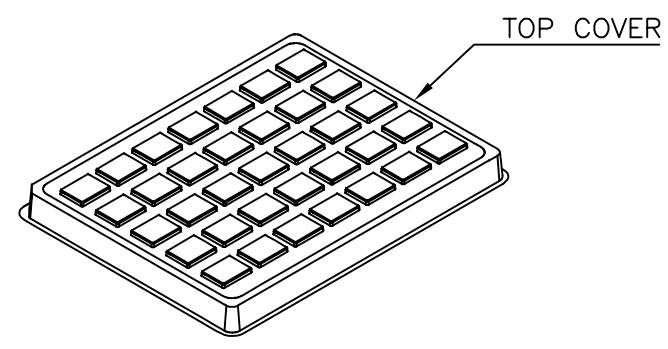
3

2

1

THIS DRAWING IS UNPUBLISHED. RELEASED FOR PUBLICATION
 © COPYRIGHT 2010 BY TYCO ELECTRONICS CORPORATION. ALL RIGHTS RESERVED.

LOC	DIST	REVISIONS					
DW		P	LTR	REVISION RECORD	DATE	DWN	APVD
				SEE SHEET 1.			



1. MATERIAL:
 - 1.1 TRAY: PVC.
 - 1.2 BOX: CORRUGATED FIBER.
 - 1.3 BAG: PE.
2. DIMENSION: SEE DRAWING
3. QUANTITY: SEE TABLE
4. WEIGHT: SEE TABLE
5. EACH BAG SHALL BE INCLUDED:
 - * DESICCANT

12.2 Kg	9.6 Kg	35	10	350
GROSS WEIGHT	NET WEIGHT	PCS/TRAY	TRAY/BOX	PCS/BOX

THIS DRAWING IS A CONTROLLED DOCUMENT.		DWN	 TE Connectivity											
DIMENSIONS: mm		CHK												
TOLERANCES UNLESS OTHERWISE SPECIFIED:		APVD												
<table border="0"> <tr><td>0 PLC</td><td>± -</td></tr> <tr><td>1 PLC</td><td>± 0.3</td></tr> <tr><td>2 PLC</td><td>± 0.2</td></tr> <tr><td>3 PLC</td><td>± 0.15</td></tr> <tr><td>4 PLC</td><td>± -</td></tr> <tr><td>ANGLES</td><td>± 3'</td></tr> </table>		0 PLC				± -	1 PLC	± 0.3	2 PLC	± 0.2	3 PLC	± 0.15	4 PLC	± -
0 PLC	± -													
1 PLC	± 0.3													
2 PLC	± 0.2													
3 PLC	± 0.15													
4 PLC	± -													
ANGLES	± 3'													
MATERIAL	FINISH	APPLICATION SPEC	NAME											
		WEIGHT	MODULAR JACK CONNECTOR											
		CUSTOMER DRAWING	RJ45 WITH LED, 2X2, SIDE ENTRY, SHIELDED											
			DIP TYPE, H=25.4mm											
			SIZE	CAGE CODE	DRAWING NO	RESTRICTED TO								
			A3	00779	C=2041376	-								
			SCALE	SHEET	REV									
			-	2 OF 2	B									