



Chipsmall Limited consists of a professional team with an average of over 10 year of expertise in the distribution of electronic components. Based in Hongkong, we have already established firm and mutual-benefit business relationships with customers from,Europe,America and south Asia,supplying obsolete and hard-to-find components to meet their specific needs.

With the principle of "Quality Parts,Customers Priority,Honest Operation,and Considerate Service",our business mainly focus on the distribution of electronic components. Line cards we deal with include Microchip,ALPS,ROHM,Xilinx,Pulse,ON,Everlight and Freescale. Main products comprise IC,Modules,Potentiometer,IC Socket,Relay,Connector.Our parts cover such applications as commercial,industrial, and automotives areas.

We are looking forward to setting up business relationship with you and hope to provide you with the best service and solution. Let us make a better world for our industry!



## Contact us

Tel: +86-755-8981 8866 Fax: +86-755-8427 6832

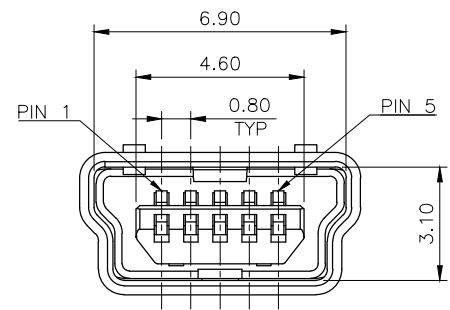
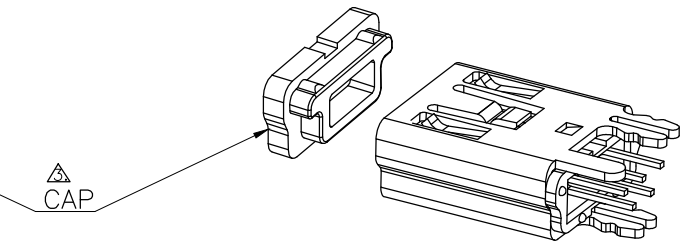
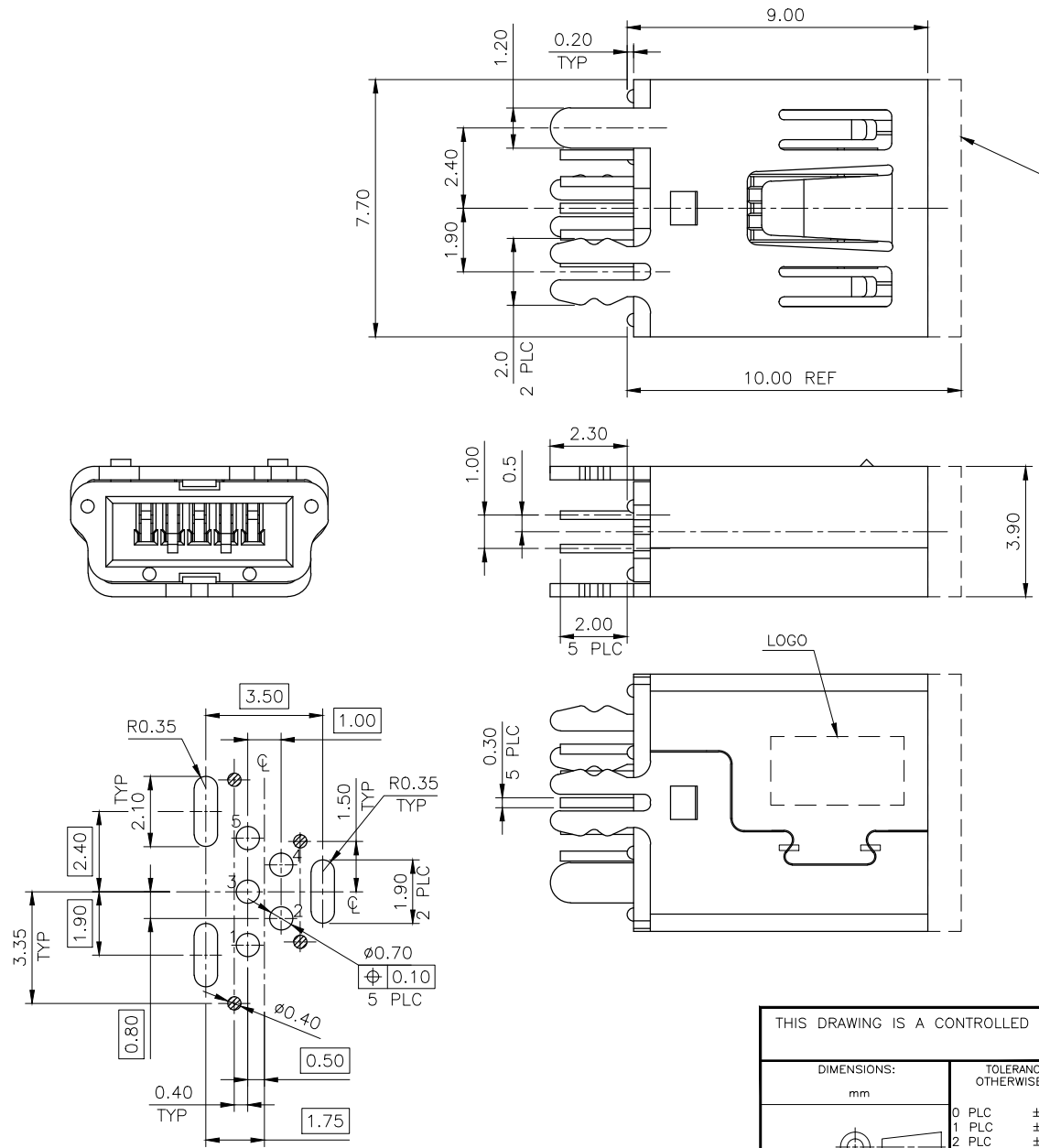
Email & Skype: info@chipsmall.com Web: www.chipsmall.com

Address: A1208, Overseas Decoration Building, #122 Zhenhua RD., Futian, Shenzhen, China



THIS DRAWING IS UNPUBLISHED. RELEASED FOR PUBLICATION  
 © COPYRIGHT 2010 BY TYCO ELECTRONICS CORPORATION. ALL RIGHTS RESERVED.

LOC	DIST	REVISIONS			
P	LTR	DESCRIPTION	DATE	DWN	APVD
DW		A1	REVISED (ECR-14-008082), ADD NEW PN	29MAY'14	S.C. H.L.



- NOTE:
- MATERIAL:  
 HOUSING: PA9T, UL 94V-0, BLACK COLOR.  
 CAP: LCP, UL 94V-0, BLACK COLOR.  
 CONTACTS: PHOSPHOR BRONZE.  
 SHELL: PHOSPHOR BRONZE.
  - FINISH:  
 CONTACTS: 0.762μm [30μ"] MIN. GOLD PLATED ON CONTACT AREA, 2.54μm [100μ"] MIN. MATTE TIN PLATED ON SOLDER TAIL, 1.27μm [50μ"] MIN. NICKEL UNDERPLATED ALL OVER.  
 SHELL: 2.54μm [100μ"] MIN. BRIGHT TIN PLATED OVER 1.27μm [50μ"] MIN. NICKEL UNDERPLATED ALL OVER.
- △ OPTION PART : CAP  
 4. REFLOW SOLDER CAPABLE TO 260°C PER TE SPEC. 109-201, CONDITION B.  
 5. CAP WEIGHT : 0.789 gram

WITH	2041517-2
W/O	2041517-1
CAP △	PART NUMBER

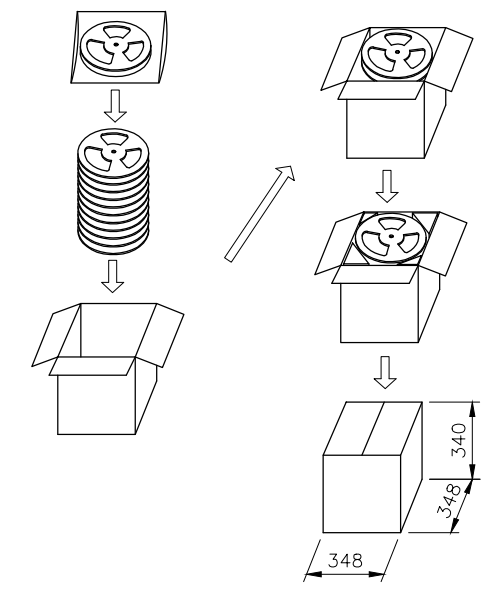
RECOMMENDED PCB LAYOUT (THICKNESS:1.6mm)  
 (DIMENSION TOLERANCE: 1PLC:±0.1 2PLC:±0.05)  
 ● KEEP OUT AREA FOR HOUSING STAND OFF

THIS DRAWING IS A CONTROLLED DOCUMENT.		DWN J. CHEN 01JUN2012	TE Connectivity	
DIMENSIONS: mm		CHK S. CHIEN 01JUN2012		
TOLERANCES UNLESS OTHERWISE SPECIFIED: 0 PLC ± - 1 PLC ± 0.30 2 PLC ± 0.20 3 PLC ± 0.15 4 PLC ± - ANGLES ± 3'		APVD W. KODAMA 01JUN2012	NAME	
		PRODUCT SPEC 108-57912	MINI USB CONNECTOR, RECEPTACLE VERTICAL, DIP, B TYPE	
MATERIAL SEE NOTE		APPLICATION SPEC	SIZE A3	CAGE CODE 00779
FINISH SEE NOTE		WEIGHT 0.725 g	DRAWING NO C=2041517	RESTRICTED TO -
CUSTOMER DRAWING			SCALE -	SHEET 1 of 3
			REV A1	

THIS DRAWING IS UNPUBLISHED. RELEASED FOR PUBLICATION  
 © COPYRIGHT 2010 BY TYCO ELECTRONICS CORPORATION. ALL RIGHTS RESERVED.

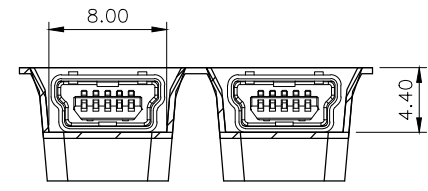
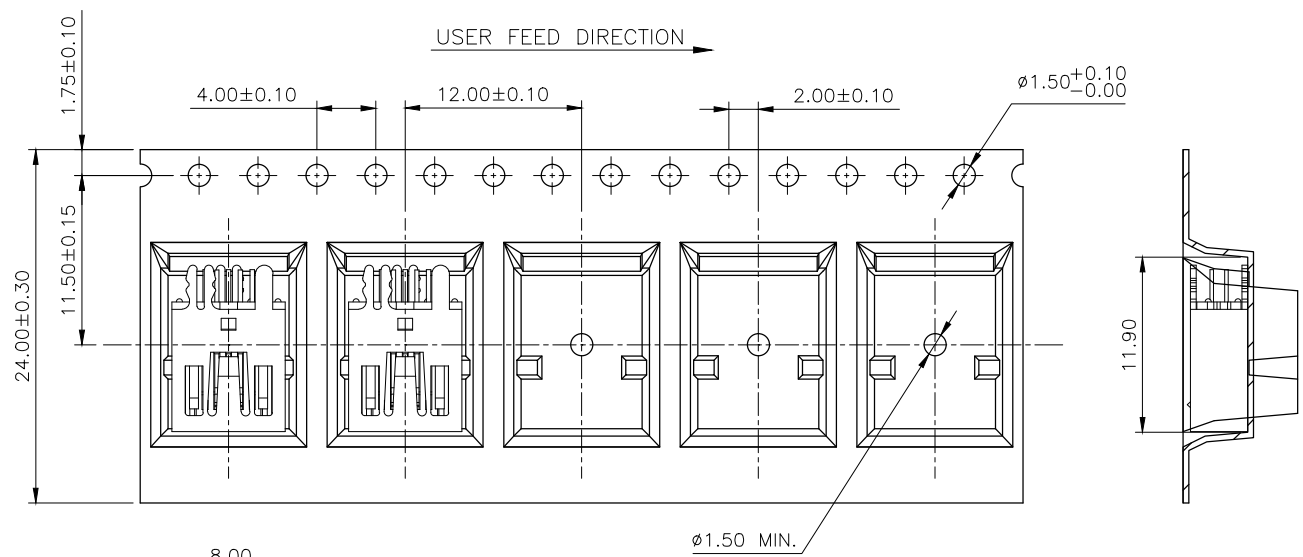
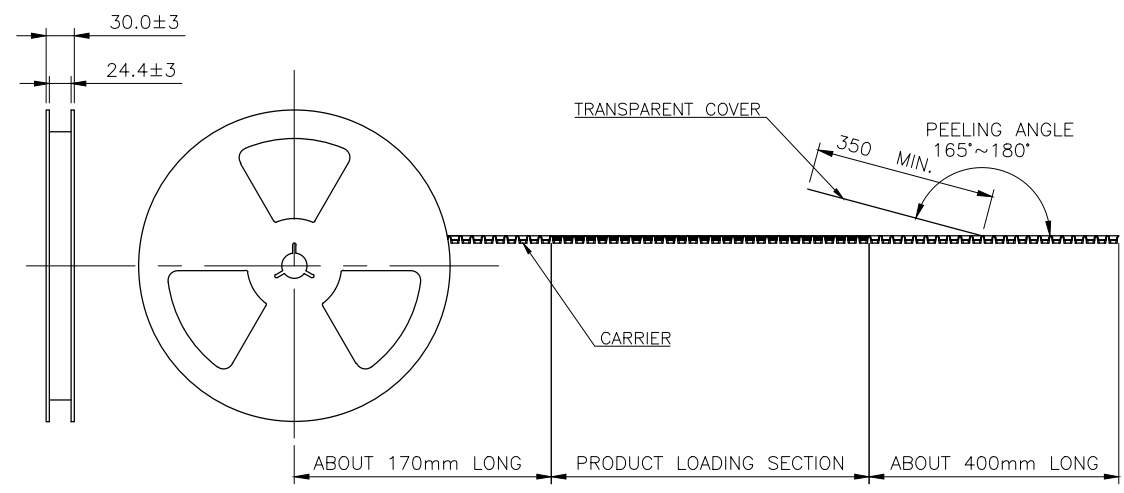
LOC	DIST	REVISIONS					
DW		P	LTR	DESCRIPTION	DATE	DWN	APVD
				SEE SHEET 1.			

- NOTE:
- MATERIAL:  
 COVER TAPE: PET, WHITE COLOR.  
 CARRIER: PS.  
 REEL: PS.  
 SHIPPING BOX: CORRUGATED FIBER.
  - DIMENSION:  
 REEL: SEE DRAWING.  
 SHIPPING BOX: SEE DRAWING.
  - QUANTITY: SEE TABLE.
  - WEIGHT: SEE TABLE.
  - PEELING RESISTANCE: 10gf ~ 130gf
  - PEELING SPEED: 300mm/MINUTE.



PACKAGING PROCESS

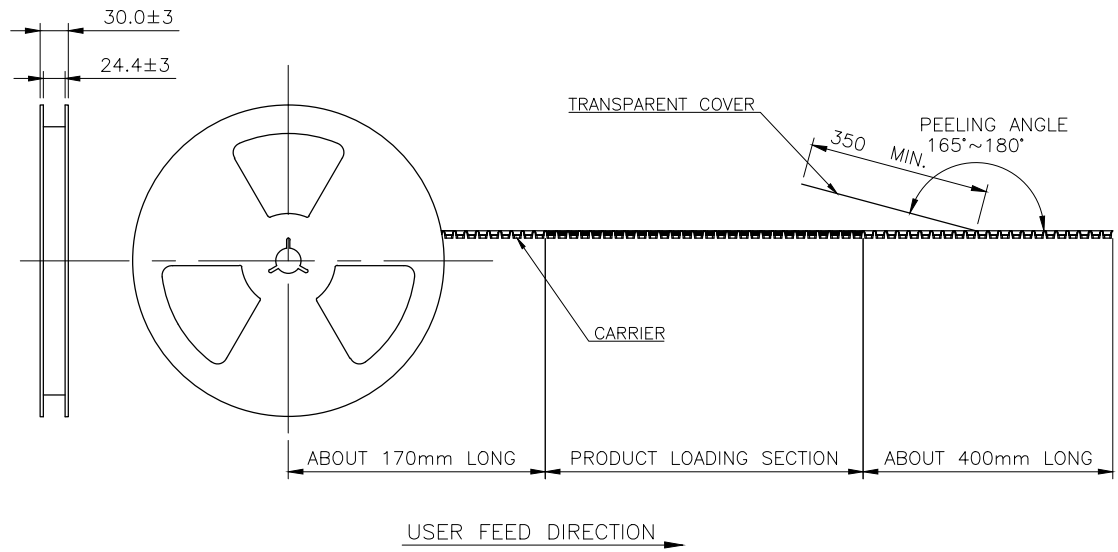
12.5 KG	9.13 KG	1200	10	12000	2041517-1
GROSS WEIGHT	NET WEIGHT	PCS /REEL	REELS /BOX	QUANTITY	PART NUMBER



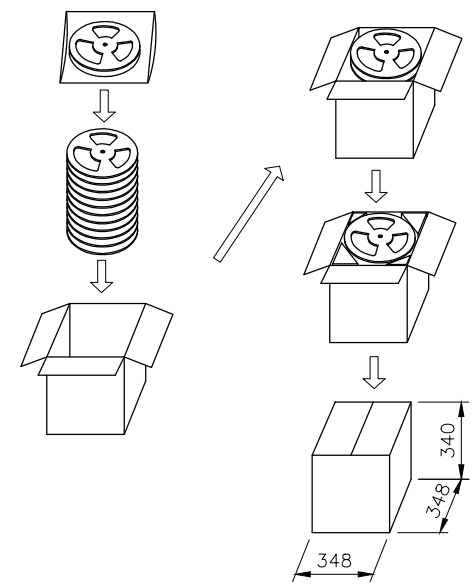
THIS DRAWING IS A CONTROLLED DOCUMENT.		DWN	TE Connectivity		
DIMENSIONS: mm		CHK	NAME		
TOLERANCES UNLESS OTHERWISE SPECIFIED:		APVD	MINI USB CONNECTOR, RECEPTACLE VERTICAL, DIP, B TYPE		
0 PLC ± -		PRODUCT SPEC	SIZE	CAGE CODE	DRAWING NO
1 PLC ± 0.30		APPLICATION SPEC	A3	00779	C=2041517
2 PLC ± 0.30		WEIGHT	RESTRICTED TO		
3 PLC ± 0.30		CUSTOMER DRAWING	SCALE		
4 PLC ± -			SHEET 2 of 3		
ANGLES ± -			REV A1		
FINISH					

THIS DRAWING IS UNPUBLISHED. RELEASED FOR PUBLICATION  
 © COPYRIGHT 2010 BY TYCO ELECTRONICS CORPORATION. ALL RIGHTS RESERVED.

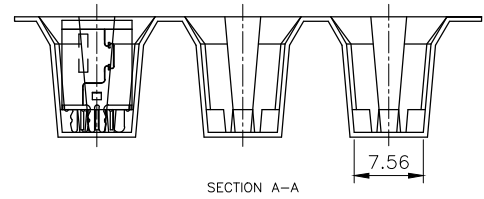
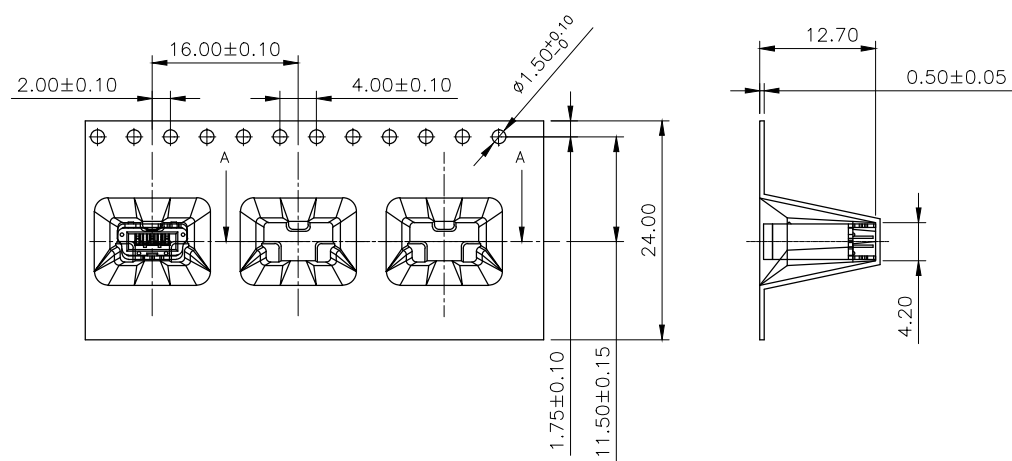
LOC		DIST		REVISIONS					
DW				P	LTR	DESCRIPTION	DATE	DWN	APVD
SEE SHEET 1.									



- NOTE:
- MATERIAL:  
 COVER TAPE: PET, WHITE COLOR.  
 CARRIER TAPE: PS.  
 REEL: PS.  
 SHIPPING BOX: CORRUGATED FIBER.
  - DIMENSION:  
 REEL: SEE DRAWING.  
 SHIPPING BOX: SEE DRAWING.
  - QUANTITY: SEE TABLE.
  - WEIGHT: SEE TABLE.
  - PEELING RESISTANCE: 10gf ~ 130gf
  - PEELING SPEED: 300mm/MINUTE.




PACKAGING PROCESS



6.70KG	2.60 KG	300	10	3000	2041517-2
GROSS WEIGHT	NET WEIGHT	PCS /REEL	REELS /BOX	QUANTITY	PART NUMBER

THIS DRAWING IS A CONTROLLED DOCUMENT.		DWN	-		
DIMENSIONS: mm		CHK	-		
TOLERANCES UNLESS OTHERWISE SPECIFIED:		APVD	-		
0 PLC ± -		PRODUCT SPEC	-		
1 PLC ± 0.30		APPLICATION SPEC	-		
2 PLC ± 0.30		WEIGHT	-		
3 PLC ± 0.30		CUSTOMER DRAWING	-		
4 PLC ± -		SCALE	-		
ANGLES ± -		SHEET	3 of 3		
MATERIAL		FINISH	-		
		RESTRICTED TO	-		



**TE Connectivity**

MINI USB CONNECTOR, RECEPTACLE VERTICAL, DIP, B TYPE

SIZE: A3 CAGE CODE: 00779 DRAWING NO: C=2041517

REV: A1