



Chipsmall Limited consists of a professional team with an average of over 10 year of expertise in the distribution of electronic components. Based in Hongkong, we have already established firm and mutual-benefit business relationships with customers from,Europe,America and south Asia,supplying obsolete and hard-to-find components to meet their specific needs.

With the principle of “Quality Parts,Customers Priority,Honest Operation,and Considerate Service”,our business mainly focus on the distribution of electronic components. Line cards we deal with include Microchip,ALPS,ROHM,Xilinx,Pulse,ON,Everlight and Freescale. Main products comprise IC,Modules,Potentiometer,IC Socket,Relay,Connector.Our parts cover such applications as commercial,industrial, and automotives areas.

We are looking forward to setting up business relationship with you and hope to provide you with the best service and solution. Let us make a better world for our industry!



Contact us

Tel: +86-755-8981 8866 Fax: +86-755-8427 6832

Email & Skype: info@chipsmall.com Web: www.chipsmall.com

Address: A1208, Overseas Decoration Building, #122 Zhenhua RD., Futian, Shenzhen, China



THIS DRAWING IS UNPUBLISHED. RELEASED FOR PUBLICATION
 © COPYRIGHT 2013 BY TE CONNECTIVITY. ALL RIGHTS RESERVED.

LOC	DIST	REVISIONS				
P	LTR	DESCRIPTION	DATE	DWN	APVD	
DW	-	C	REVISED, CHANGE PACK. (ECR-14-002977)	24MAR14	S.C. H.L.	

D

C

B

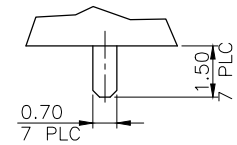
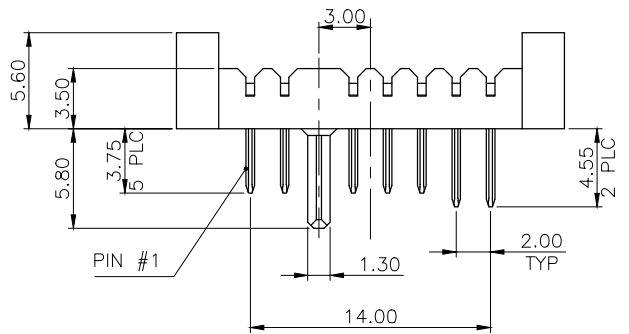
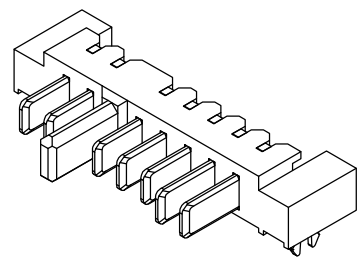
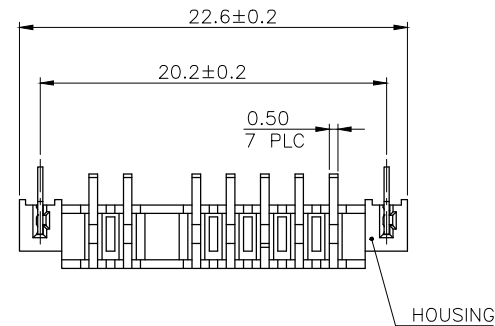
A

D

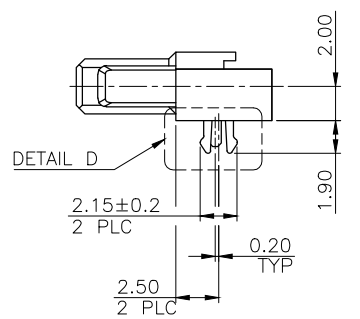
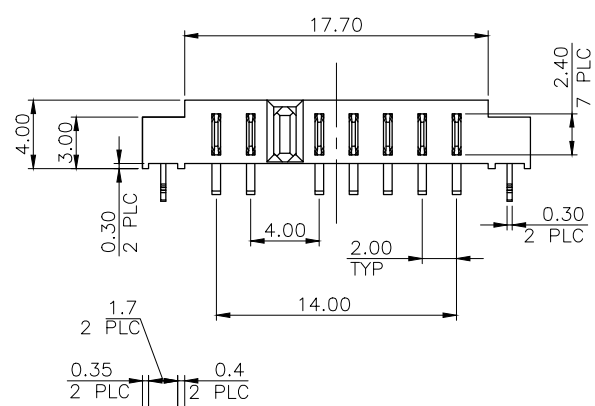
C

B

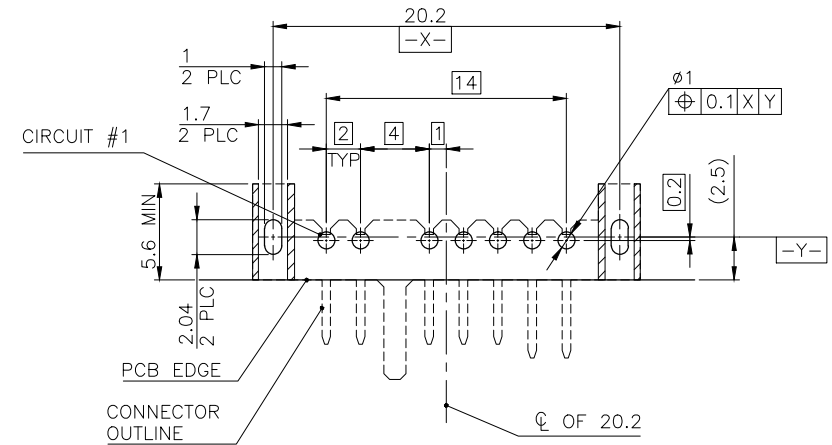
A



DETAIL D
2:1



DETAIL D



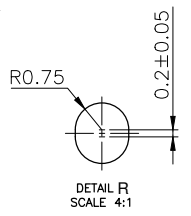
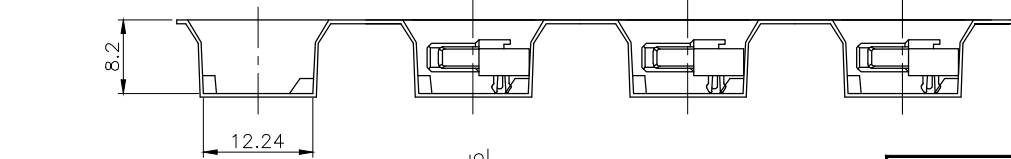
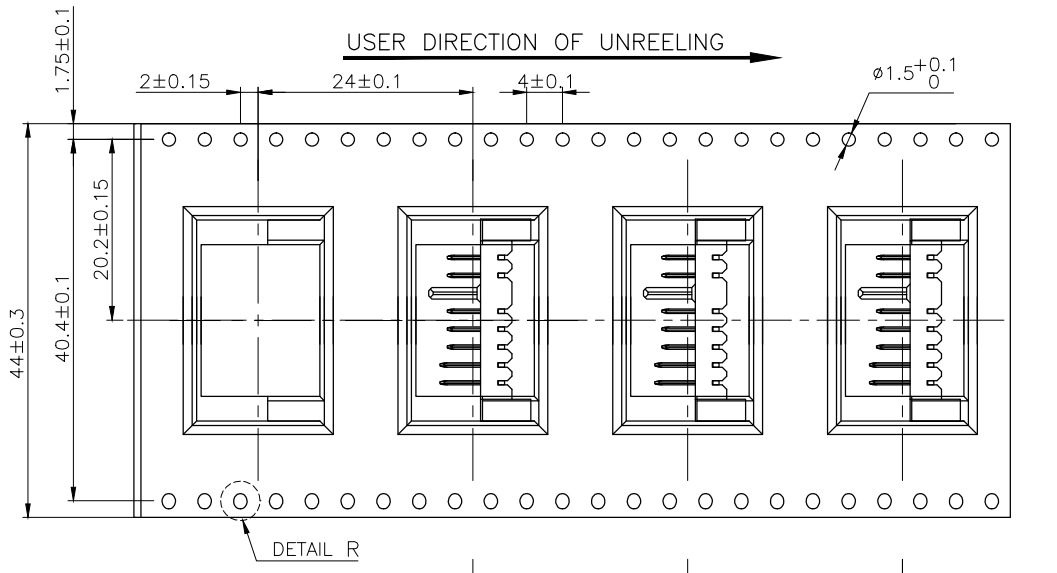
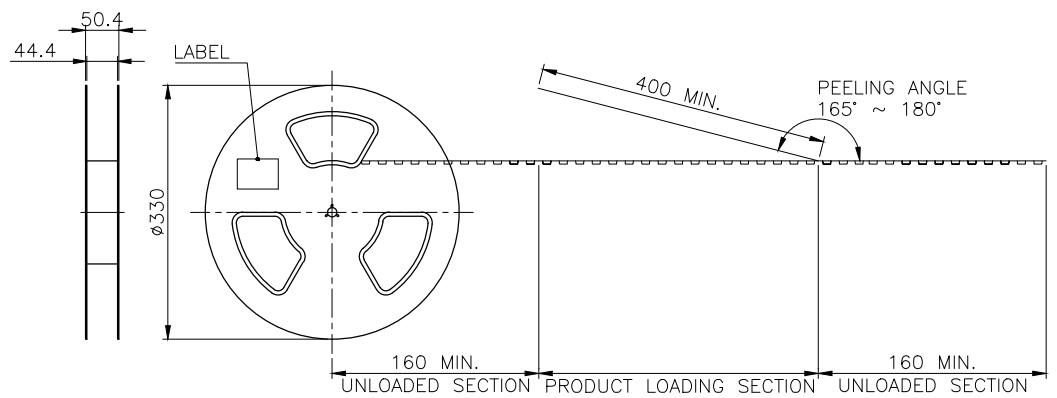
∇: STAND OFF AREA
 TOLERANCE: ±0.05, THICKNESS: 1.0mm
 RECOMMENDED PCB LAYOUT
 (TOP VIEW)

0.152µm [6µ"]	2041552-1
MIN. GOLD THICKNESS	PART NUMBER

THIS DRAWING IS A CONTROLLED DOCUMENT.		DWN A. WU 20JUN2013	TE Connectivity	
DIMENSIONS: MM		CHK S. CHIEN 20JUN2013		
TOLERANCES UNLESS OTHERWISE SPECIFIED:		APVD W. KODAMA 20JUN2013	NAME	
0 PLC ± -		PRODUCT SPEC	108-57920	
1 PLC ± 0.3		APPLICATION SPEC	-	
2 PLC ± 0.2		WEIGHT	0.9g	
3 PLC ± -		RESTRICTED CUSTOMER	A300779C=2041552	
4 PLC ± -		SCALE	-	
ANGLES ± -		SHEET	1 of 2	
MATERIAL	FINISH	REV	C	
SEE NOTE	SEE NOTE			

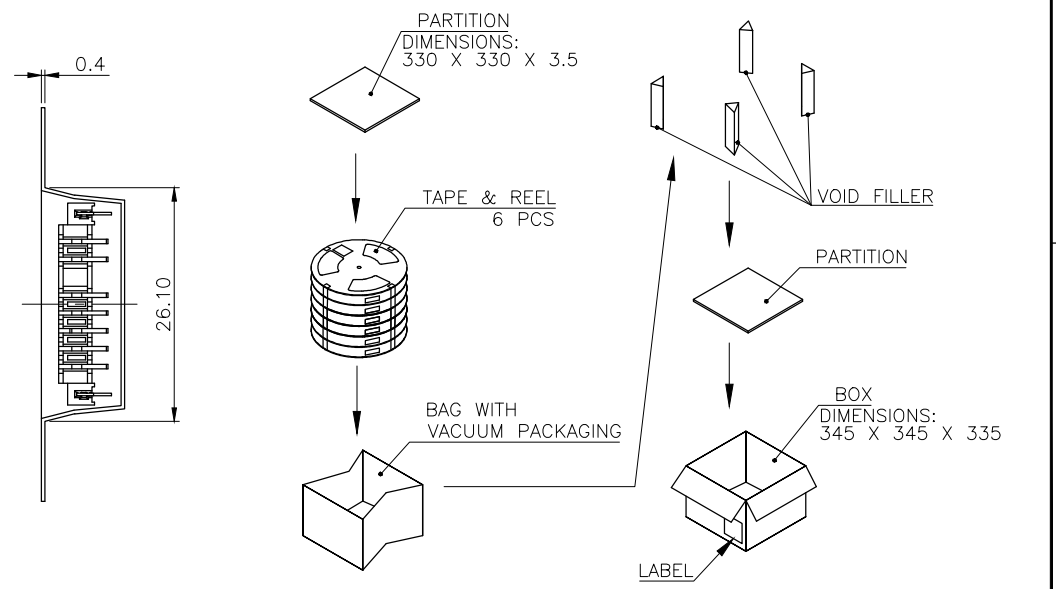
THIS DRAWING IS UNPUBLISHED. RELEASED FOR PUBLICATION
 © COPYRIGHT 2013 BY TE CONNECTIVITY. ALL RIGHTS RESERVED.

LOC	DIST	REVISIONS					
DW	-	P	LTR	DESCRIPTION	DATE	DWN	APVD
				SEE SHEET 1			



NOTES:

- MATERIAL:
 BOX: FIBREBOARD, CORRUGATED, DOUBLE WALL.
 COVER TAPE: POLYSTYRENES, TRANSPARENT COLOR.
 CARRIER TAPE: POLYSTYRENES, BLACK COLOR.
 REEL: HIPS, BLUE COLOR.
 BAG: POLYETHYLENES, TRANSPARENT COLOR.
- EACH BAG SHALL BE INCLUDED DESICCANT.
- PEELING STRENGTH: 0.1 ~ 1.3 N (10 ~ 130 GRAMS).
- PEELING SPEED: 300 mm/min.



1.62 Kg	1.81 Kg	300	6	1800
NET WEIGHT	GROSS WEIGHT	PCS/TAPE	REELS/BOX	PCS/BOX

THIS DRAWING IS A CONTROLLED DOCUMENT.		DWN	-	TE Connectivity 2.0 MM PITCH BATTERY CONNECTOR, 7 POSITION, 4 MM HEIGHT, PLUG		
DIMENSIONS: MM		CHK	-			NAME
TOLERANCES UNLESS OTHERWISE SPECIFIED:		APVD	-			PRODUCT SPEC
0 PLC ± - 1 PLC ± - 2 PLC ± - 3 PLC ± - 4 PLC ± - ANGLES ± -		APPLICATION SPEC				SIZE
MATERIAL		WEIGHT		CAGE CODE		
FINISH		RESTRICTED CUSTOMER		DRAWING NO		
				A300779C=2041552		
				RESTRICTED TO	-	
				SCALE	-	
				SHEET	2 of 2	
				REV	C	