



Chipsmall Limited consists of a professional team with an average of over 10 year of expertise in the distribution of electronic components. Based in Hongkong, we have already established firm and mutual-benefit business relationships with customers from,Europe,America and south Asia,supplying obsolete and hard-to-find components to meet their specific needs.

With the principle of "Quality Parts,Customers Priority,Honest Operation,and Considerate Service",our business mainly focus on the distribution of electronic components. Line cards we deal with include Microchip,ALPS,ROHM,Xilinx,Pulse,ON,Everlight and Freescale. Main products comprise IC,Modules,Potentiometer,IC Socket,Relay,Connector.Our parts cover such applications as commercial,industrial, and automotives areas.

We are looking forward to setting up business relationship with you and hope to provide you with the best service and solution. Let us make a better world for our industry!



Contact us

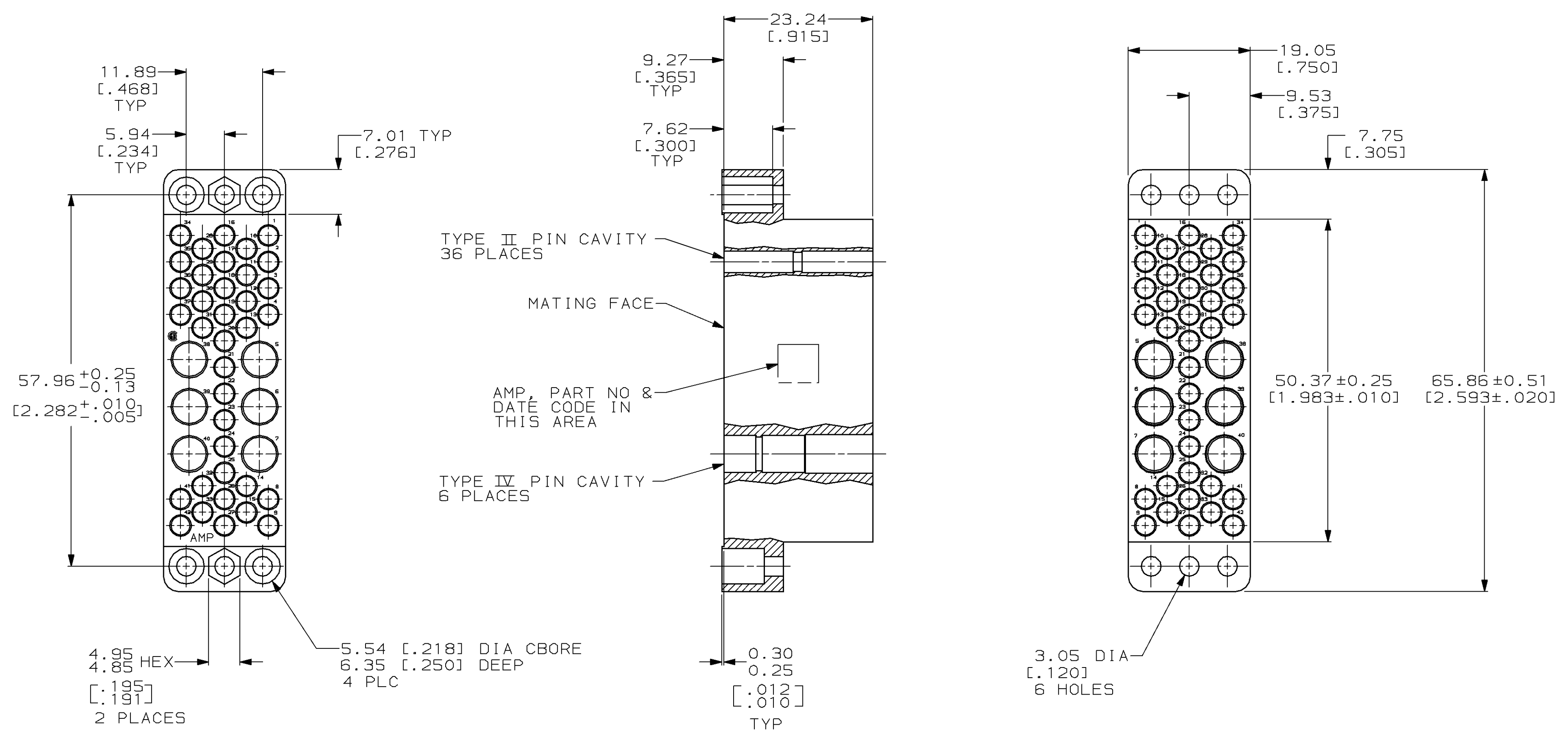
Tel: +86-755-8981 8866 Fax: +86-755-8427 6832

Email & Skype: info@chipsmall.com Web: www.chipsmall.com

Address: A1208, Overseas Decoration Building, #122 Zhenhua RD., Futian, Shenzhen, China



M		Loc	DIST	REVISIONS			
P	F	ZONE	LTR	DESCRIPTION	DATE	APPD	
25	BD	36		B	REVISED & REDRAWN PER BD2996	08/01/89	-
				C	OBS -3 PER EC 0020-0186-94	03/11/94	GS



- ① PHENOLIC PER MIL-M-14, TYPE MFH, BLACK.
- ② DIALLYL PHTHALATE PER MIL-M-14, TYPE SDG-F, BLUE.
- ③ DIALLYL PHTHALATE PER MIL-M-14, TYPE SDG-F, GREEN.

	MATERIAL	PART NO
OBSOLETE	③	204186-5
OBSOLETE	②	204186-3
OBSOLETE	①	204186-1

DO NOT SCALE PRINT. UNLESS SPECIFIED DIMENSIONS IN mm [INCHES] TOLERANCES ON: 2 PLC DEC ± 0.13 [0.005] 3 PLC DEC ± - ANGLES ± -	DR 08/01/89 L.SIPE CHK 8-7-89 J.McCLINTON APPD 8-7-89 R.WALTER APPD 8-7-89 D.SUMMERS	AMP INCORPORATED Harrisburg, Pa. 17105	
MATERIAL SEE TABLE	PRODUCT SPEC -	NAME PLUG BLOCK, MALE, 42 POSN, MINI, M SERIES	
FINISH -	APPLICATION SPEC -	SIZE C	CAGE CODE 00779
	WEIGHT -	SCALE 2:1	DRAWING NO 204186
			SHEET 1 OF 1