



Chipsmall Limited consists of a professional team with an average of over 10 year of expertise in the distribution of electronic components. Based in Hongkong, we have already established firm and mutual-benefit business relationships with customers from,Europe,America and south Asia,supplying obsolete and hard-to-find components to meet their specific needs.

With the principle of “Quality Parts,Customers Priority,Honest Operation,and Considerate Service”,our business mainly focus on the distribution of electronic components. Line cards we deal with include Microchip,ALPS,ROHM,Xilinx,Pulse,ON,Everlight and Freescale. Main products comprise IC,Modules,Potentiometer,IC Socket,Relay,Connector.Our parts cover such applications as commercial,industrial, and automotives areas.

We are looking forward to setting up business relationship with you and hope to provide you with the best service and solution. Let us make a better world for our industry!



## Contact us

Tel: +86-755-8981 8866 Fax: +86-755-8427 6832

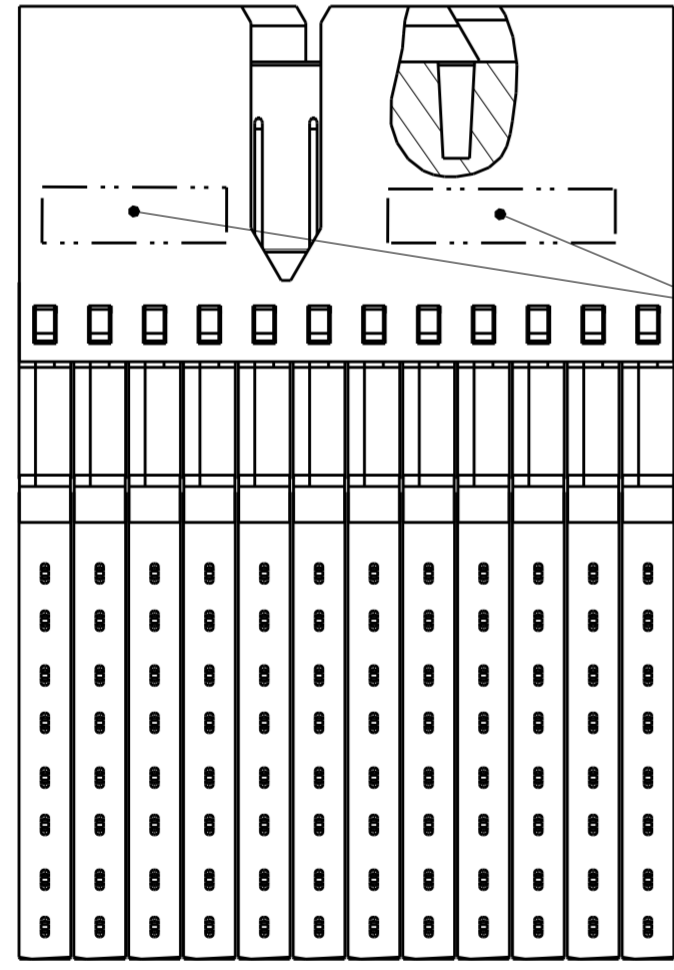
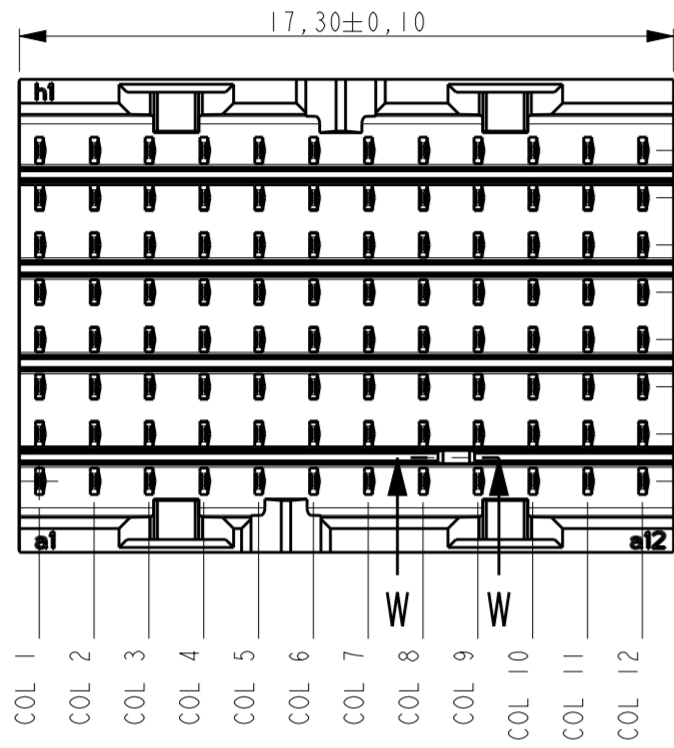
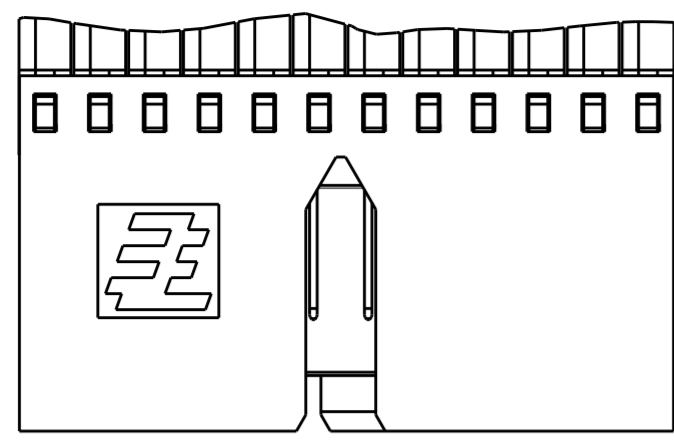
Email & Skype: info@chipsmall.com Web: www.chipsmall.com

Address: A1208, Overseas Decoration Building, #122 Zhenhua RD., Futian, Shenzhen, China



THIS DRAWING IS UNPUBLISHED. RELEASED FOR PUBLICATION  
 © COPYRIGHT - BY TYCO ELECTRONICS CORPORATION. ALL RIGHTS RESERVED.

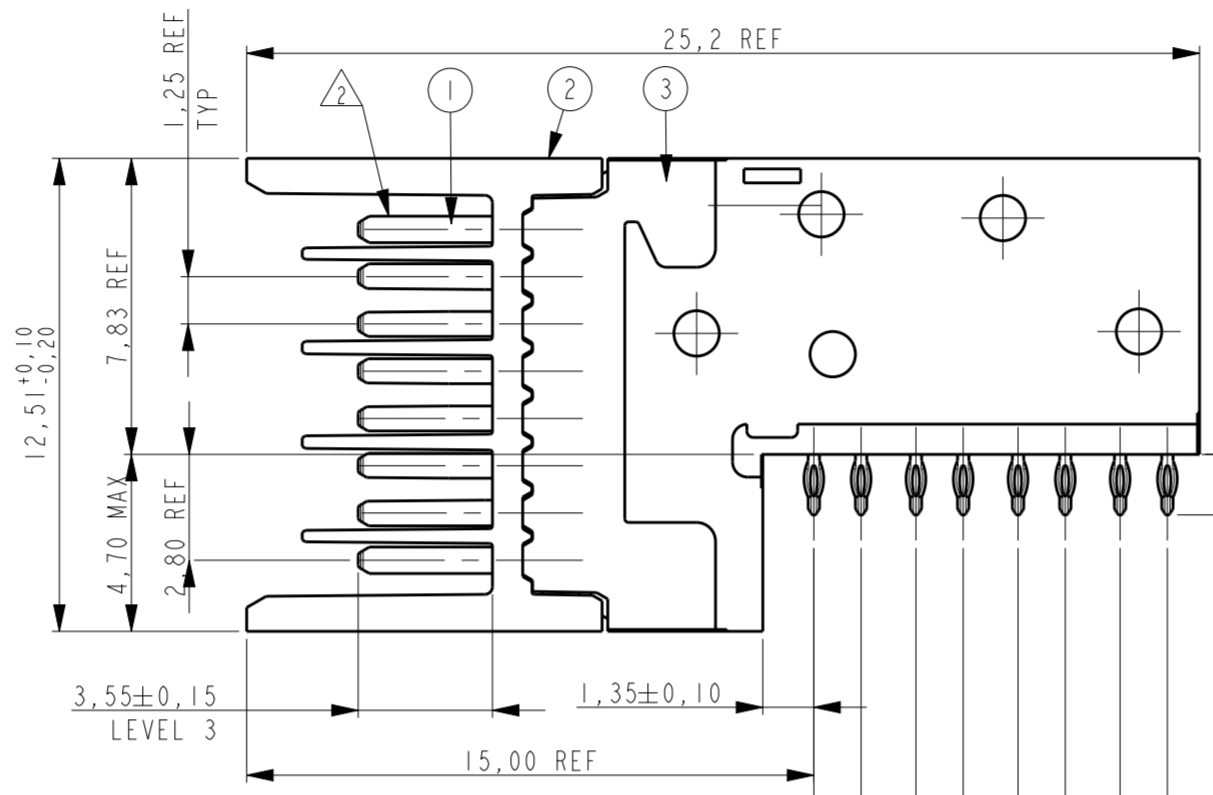
LOC		DIST		REVISIONS			
P	LTR	DESCRIPTION	DATE	DWN	APVD		
A		DRAWING RELEASED PER ECR-11-017294	22AUG2011	JvdH	TdB		
B		REVISED PER ECR-15-016753	24NOV2015	FL	FY		



ROW h  
ROW g  
ROW f  
ROW e  
ROW d  
ROW c  
ROW b  
ROW a

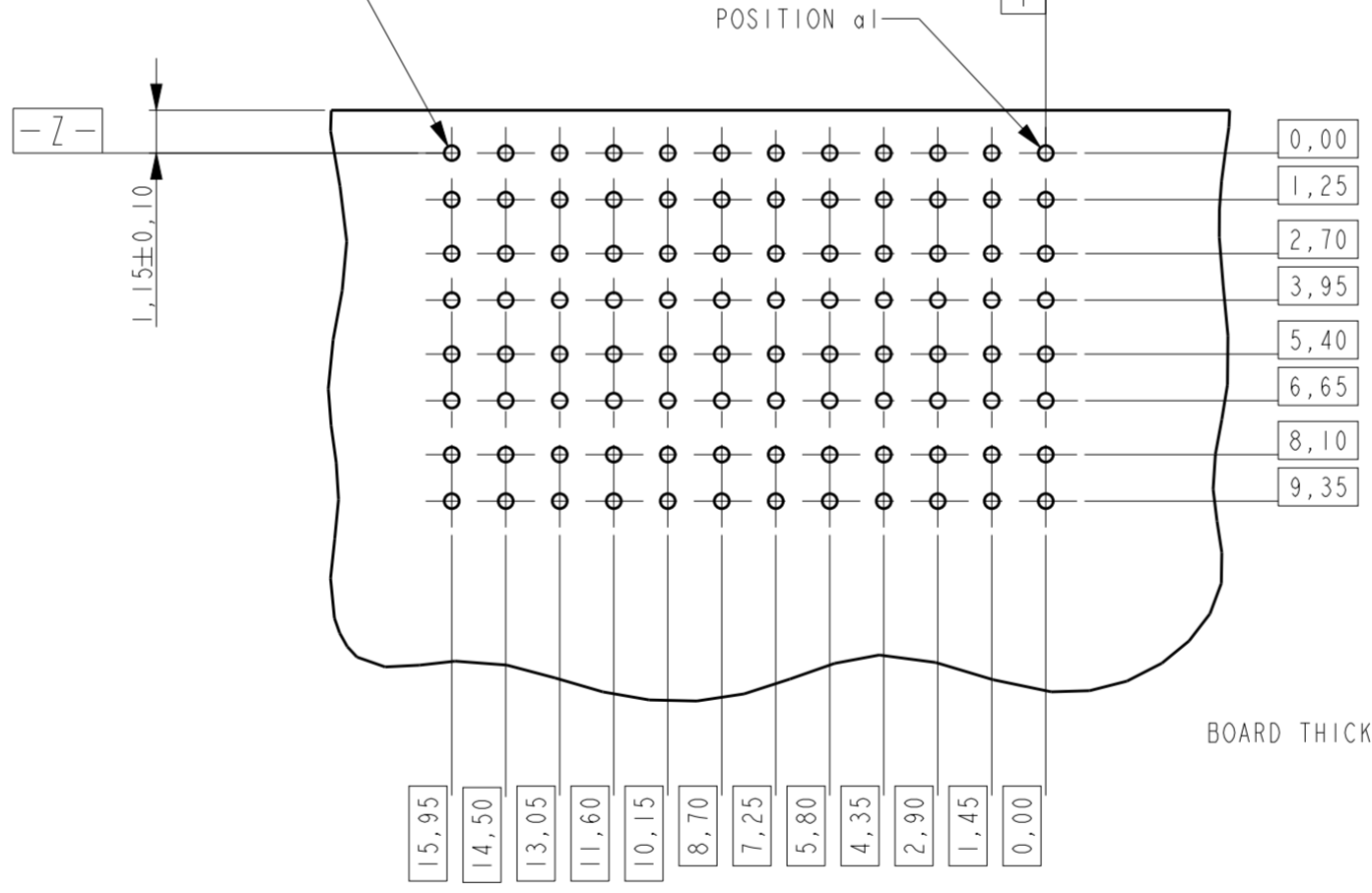
COL 1 COL 2 COL 3 COL 4 COL 5 COL 6 COL 7 COL 8 COL 9 COL 10 COL 11 COL 12

SECTION W-W  
(KEY POSITION)

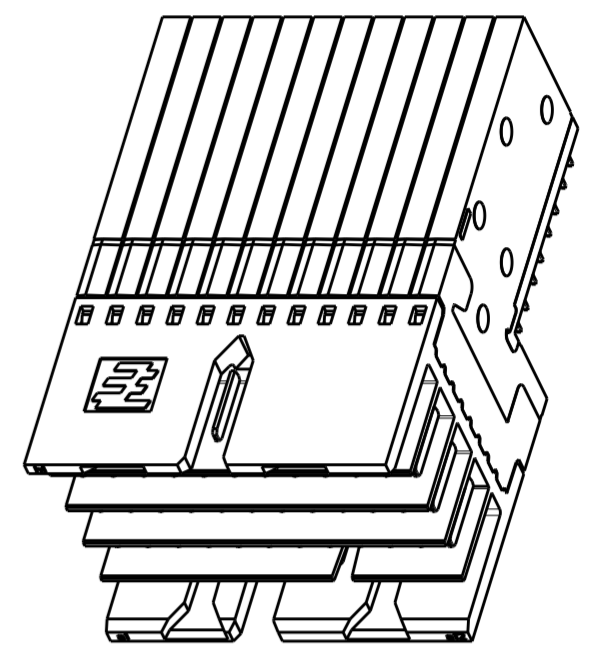


PCB LEVEL

Ø0.40 REF FINISHED HOLE  
SEE APPLICATION SPEC  
⊕ 0.05 X Z



RECOMMENDED PCB LAYOUT  
(COMPONENT SIDE SHOWN)



SCALE 3:1

NOTES:

- 1 PLATING: 0,5µm MIN. TIN OVER NICKEL.
- 2 PLATING:

PARTNUMBER	PERFORMANCE LEVEL
2042162-1	PERFORMANCE LEVEL 1: CONNECTOR TESTED AND QUALIFIED AGAINST TELCORDIA GR-1217-CORE QUALITY LEVEL III: UNCONTROLLED ENVIRONMENT APPLICATIONS. SEE PRODUCT SPEC 108-19353
2042162-2	PERFORMANCE LEVEL 2: CONFORMS TO ALL TESTING ACCORDING PRODUCT SPEC 108-19320, -250 MATING CYCLES, 4 DAYS MIXED GAS TEST PER IEC 60068-2-60 METHOD 1

- 3 CONSULT APPLICATION SPEC OR CONTACT TE CONNECTIVITY FOR PERMISSIBLE CONTACT ASSIGNMENTS.
- 4 CONNECTOR MARKED WITH PARTNUMBER AND DATE CODE, DATE CODE DEFINITION: YYWWD.

THIS DRAWING IS A CONTROLLED DOCUMENT.

DIMENSIONS:	mm	TOLERANCES UNLESS OTHERWISE SPECIFIED:
0 PLC	±	
1 PLC	±	
2 PLC	±	
3 PLC	±	
4 PLC	±	
ANGLES	±	
FINISH		

DWN	RA	21-Jan-09
CHK	RA	21-Jan-09
APVD	MW	21-Jan-09
PRODUCT SPEC	SEE NOTE 2	
APPLICATION SPEC	114-19106	
WEIGHT	-	
CUSTOMER DRAWING		

3	OVERMOLD	LCP 30% GF NATURAL
2	HOUSING	LCP 30% GF NATURAL
1	CONTACT	COPPER ALLOY
ITEM NO.	DESCRIPTION	MATERIAL
<b>STE</b> TE Connectivity		
NAME: RIGHT ANGLE MALE CONNECTOR Z-PACK Slim UHD High Speed		
SIZE	CAGE CODE	DRAWING NO
A2	00779	G-2042162
RESTRICTED TO	SCALE 5:1	SHEET 1 OF 1 REV B