



Chipsmall Limited consists of a professional team with an average of over 10 year of expertise in the distribution of electronic components. Based in Hongkong, we have already established firm and mutual-benefit business relationships with customers from,Europe,America and south Asia,supplying obsolete and hard-to-find components to meet their specific needs.

With the principle of “Quality Parts,Customers Priority,Honest Operation,and Considerate Service”,our business mainly focus on the distribution of electronic components. Line cards we deal with include Microchip,ALPS,ROHM,Xilinx,Pulse,ON,Everlight and Freescale. Main products comprise IC,Modules,Potentiometer,IC Socket,Relay,Connector.Our parts cover such applications as commercial,industrial, and automotives areas.

We are looking forward to setting up business relationship with you and hope to provide you with the best service and solution. Let us make a better world for our industry!



## Contact us

Tel: +86-755-8981 8866 Fax: +86-755-8427 6832

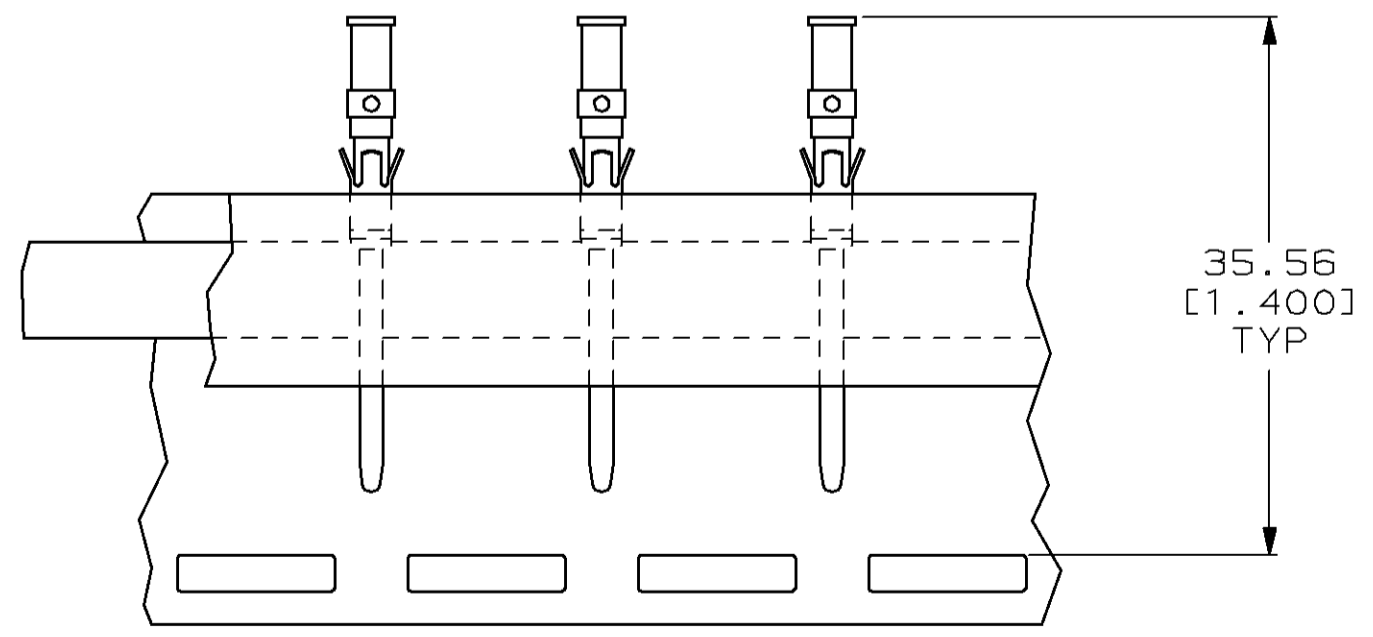
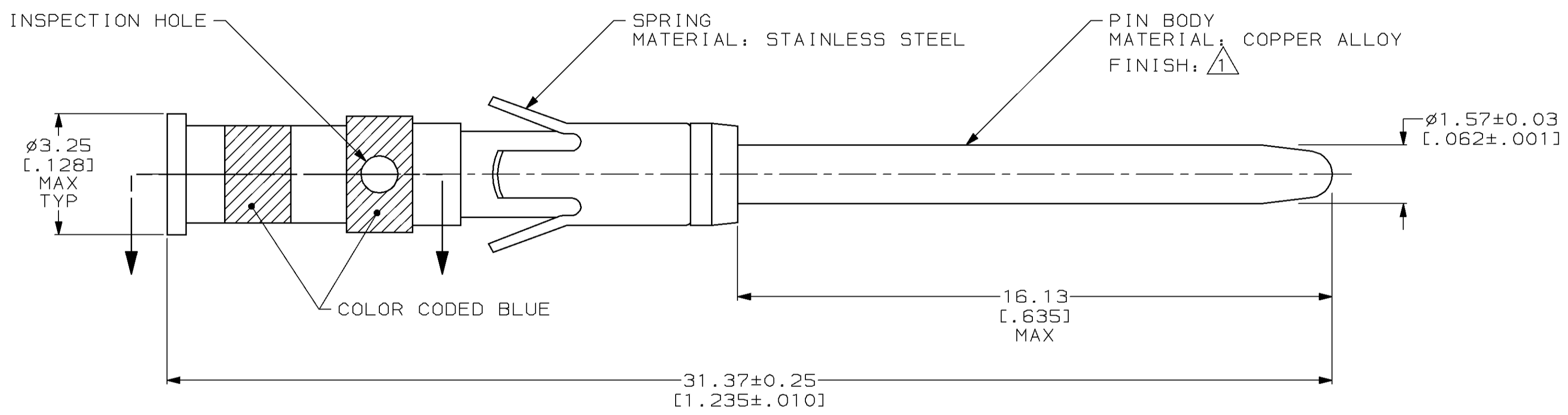
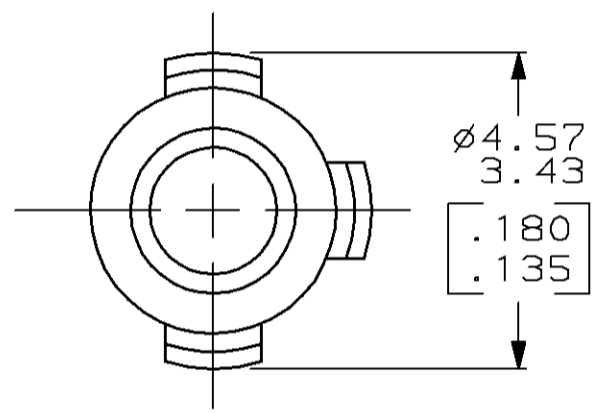
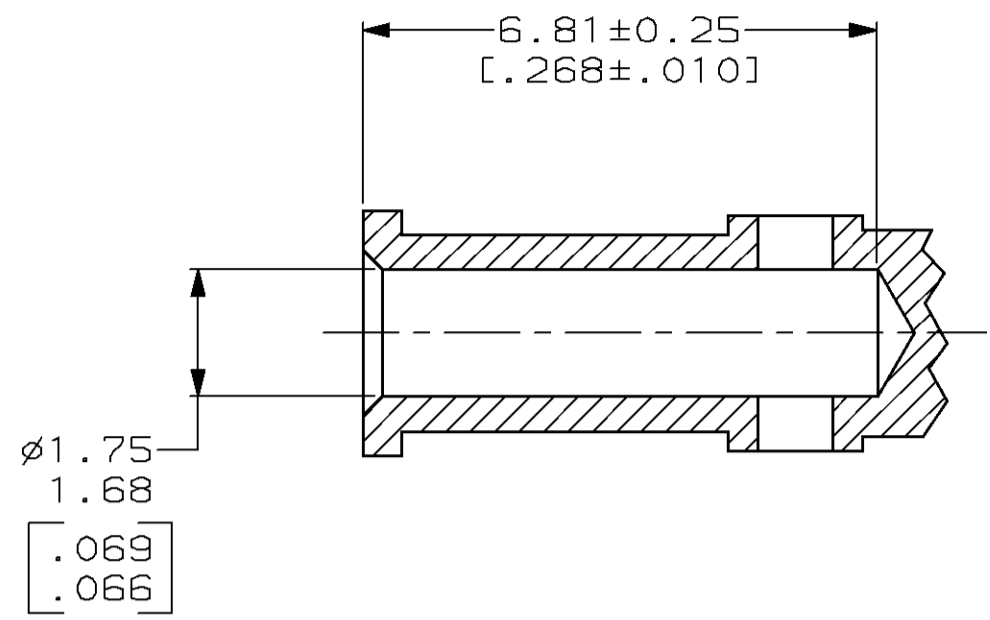
Email & Skype: info@chipsmall.com Web: www.chipsmall.com

Address: A1208, Overseas Decoration Building, #122 Zhenhua RD., Futian, Shenzhen, China



THIS DRAWING IS UNPUBLISHED. RELEASED FOR PUBLICATION  
 © COPYRIGHT 19 BY AMP INCORPORATED. ALL RIGHTS RESERVED.

LOC		DIST		REVISIONS			
P	LTR	DESCRIPTION	DATE	DWN	APVD		
FT	8						
	K	REDRAWN W/O CHANGE PER EC 0320-109-96	04 DEC 97	-	-		



TAPE MTG DETAIL  
SCALE 2:1

Δ 0.76µm [.000030] MIN GOLD OVER 1.27µm [.000050] MIN NICKEL.

TAPE MTD	204219-3
STANDARD	204219-1
PACKAGING TYPE	PART NUMBER

THIS DRAWING IS A CONTROLLED DOCUMENT.		DWN	B. CARBO	04 DEC 97
DIMENSIONS:		CHK	R. STONE	10 DEC 97
mm [INCHES]	TOLERANCES UNLESS OTHERWISE SPECIFIED:	APVD	G. STEINHAUER	06 JAN 98
	0 PLC ±-	PRODUCT SPEC	NAME	
	1 PLC ±-	APPLICATION SPEC	G. STEINHAUER	
	2 PLC ±0.13 [.005]	WEIGHT	-	
	3 PLC ±-	CUSTOMER DRAWING	SCALE	10:1
	4 PLC ±-		SHEET	1 OF 1
	ANGLES ±-		REV	K
	FINISH ±-			
MATERIAL	SEE CALLOUTS			

**AMP** AMP Incorporated  
Harrisburg, PA 17105-3608

#16 PIN CONTACT ASSY,  
#16-18 WIRE SIZE

SIZE: A2 CAGE CODE: 00779 DRAWING NO: 204219 RESTRICTED TO: -

204219